

55" SLAB Console



Model Shown: 9117-S-H38-D4S-D4D-D11D

55" Long SLAB Console, Satin Finish Frame, Blanco Solid Surface Drawers, Configured for a 3-Hole 8" Centerset Faucet Supplied by Customer

- **55" LONG CAST WHITE SOLID SURFACE DECK WITH INTEGRAL BASIN IN STAINLESS STEEL CONSOLE FRAME**
- **BASIN IS INTEGRAL TO WHITE SOLID SURFACE DECK - ENTIRELY CAST IN ONE PIECE OF WHITE-COLORED OPAQUE POLYMER RESIN**
- **STAINLESS STEEL FRAME CONSTRUCTION IN SATIN MIRA (HIGH POLISH)**
- **INTEGRATED OVERFLOW WASTE OUTLET**
- **ADJUSTABLE LEVELERS FOR UNEVEN FLOORS**
- **MATERIAL OF CONSTRUCTION IS FLAME SPREAD AND SMOKE DEVELOPED RATED "CLASS A" PER THE FOLLOWING STANDARDS:**

ASTM E84-10
UL723
ANSI/NFPA No. 255
UBC No. 8-1

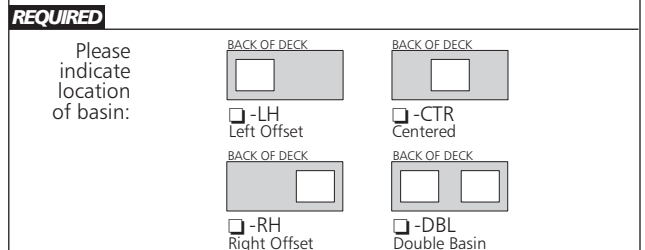
MATERIAL ALSO COMPLIES WITH CANADIAN REQUIREMENTS CAN/ULC-S102 FOR FLAME SPREAD AND SMOKE DEVELOPED.

- **MATERIAL OF CONSTRUCTIONS PHYSICAL PROPRIETIES IN COMPLIANCE WITH:**

CSA B45.5/IIAPMO Z124
ANSI/ICPA SS-1

	DESCRIPTION	MODEL/OPTION #
Add(+)	A ORIENTATION - Required Selection	INIT.
	<input type="checkbox"/> Console with Integral Basin 55" L x 22" W x 34" H (1397 x 558 x 864 mm) with 14" L x 17" W x 4" H (356 x 432 x 102 mm) Basin	9117
Add(+)	B FRAME - Required Selection	INIT.
	<input type="checkbox"/> Satin Finish (Standard) -S	
	<input type="checkbox"/> Mira Finish (High Polish) -HP	
Add(+)	C COUNTER COLOR SELECTION - Req'd Selection	INIT.
	Corterra® Solid Surface Color Color: _____ (Refer to https://www.neo-metro.com/luxury-solid-surface for available colors)	

Add(+)	D BASIN SELECTION - Required Selection	INIT.
<input type="checkbox"/>	Square Basin 14" L x 14" W x 4" H Basin (356 x 356 x 102 mm)	-BBSQ
<input type="checkbox"/>	Oval Basin 14" L x 17" W Basin (356 x 432 mm)	-BBOV
<input type="checkbox"/>	Round Basin Ø16" Basin (Ø 406 mm)	-BBRD
<input type="checkbox"/>	Ramp Basin 14" L x 17" W Basin (356 x 432 mm)	-BBRA
<input type="checkbox"/>	Rectangular Basin 33" x 14" Basin (-DBL Not Available) (838 x 356 x 102 mm)	-3676
	Overflow Waste is Built-in Specify Plate Finish: <input type="checkbox"/> Satin (Standard) <input type="checkbox"/> High Polish	



Add(+)	D OPTIONS	INIT.
<input type="checkbox"/>	Optional Storage Shelf Blanco Solid Surface	-SWB
<input type="checkbox"/>	Optional Stainless Steel Towel Bar Satin Finish Mira (high polish)	-TBS -TBS-HP

Add(+)	E FAUCET CONFIG. - Optional Selection	INIT.
<input type="checkbox"/>	No Faucet Hole For wall mounted faucet	-H0
<input type="checkbox"/>	Single Hole Ø1-5/16" Centered Hole	-H1
<input type="checkbox"/>	6" Centerset (152 mm)	-H36
<input type="checkbox"/>	8" Centerset (203 mm)	-H38

Customer is required to submit Faucet Spec Sheet to confirm compatibility with Neo-Metro's faucet drilling.

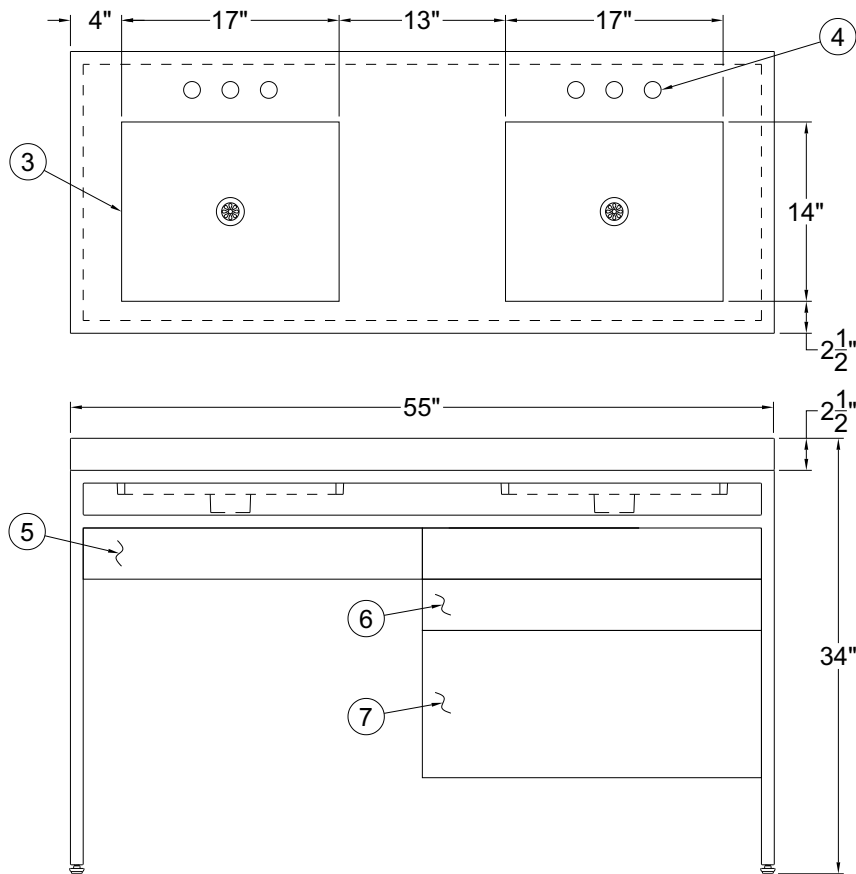
Add(+)	F DRAWER CONFIG. - Optional Selection	INIT.
<input type="checkbox"/>	4" Short Depth Drawer Left Side Right Side	-D4S
<input type="checkbox"/>	4" Std. Depth Drawer Left Side Right Side	-D4D
<input type="checkbox"/>	11-1/2" Std. Depth Drawer Left Side Right Side	-D11D

55" SLAB Console

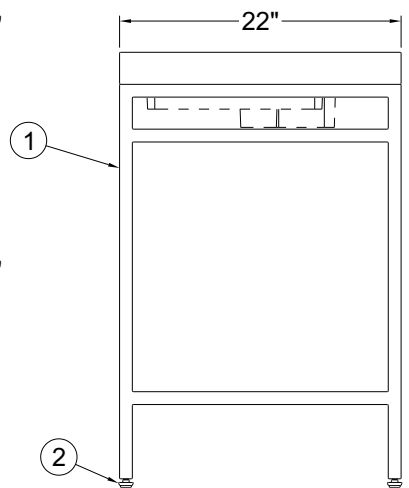
PRODUCT Specification . . . The 55" Slab Console /Table includes a 2-1/2" (64mm) thick solid surface Deck with an integral 14" x 17" x 4" depth (356 x 432 x 102mm) solid surface Basin. Solid Surface Basin comes with 1-1/4" Drain hole is provided to accommodate any Drain assembly with Overflow (Drain and P-Trap not included). The Frame is constructed out of Satin Finish (standard) stainless steel

rectangular Tubing. The stainless steel Frame is also available in Mira Finish. The Solid Surface Countertop is available in a variety of standard colors. An optional Storage Shelf and Drawers are available. Adjustable Levelers are provided on each Leg for uneven floors. Installation instructions are provided.

Neo-Metro assumes no responsibility for use of void or suspended data. All dimensions are nominal and subject to manufacturer change without notice.



- ① STAINLESS STEEL SQUARE TUBING FOR LEGS AND FRAME
- ② ADJUSTABLE LEVELERS (ALL 4 LEGS)
- ③ 17" X 14" INTEGRAL BASIN
- ④ OPTIONAL -H36 THREE HOLES WITH 6" CENTERS FOR VALVE BY OTHERS
- ⑤ OPTIONAL -D4S 4" SHORT DEPTH
- ⑥ OPTIONAL -D4D 4" STANDARD DEPTH
- ⑦ OPTIONAL -D11D 11-1/2" STANDARD DEPTH



APPROVAL FOR MANUFACTURE

COMPANY: _____

PROJECT NAME: _____

SIGNEE'S NAME WRITTEN CLEARLY: _____

DATE: _____

AUTHORIZED SIGNATURE: _____



Member of
U.S. Green
Building
Council



Recyclable
Product

⚠ WARNING: Cancer and Reproductive Harm - www.P65Warnings.ca.gov