

# 36" SLAB Console



**Model Shown: 9116-S-H38-D4S-D4D-D11D**  
 36" Long SLAB Console, Satin Finish Frame, Blanco Solid Surface Drawers, Configured for a 3-Hole 8" Centerset Faucet Supplied by Customer

- **36" LONG CAST WHITE SOLID SURFACE DECK WITH INTEGRAL BASIN IN STAINLESS STEEL CONSOLE FRAME**
- **BASIN IS INTEGRAL TO WHITE SOLID SURFACE DECK - ENTIRELY CAST IN ONE PIECE OF WHITE-COLORED OPAQUE POLYMER RESIN**
- **STAINLESS STEEL FRAME CONSTRUCTION IN SATIN MIRA (HIGH POLISH)**
- **INTEGRATED OVERFLOW WASTE OUTLET**
- **ADJUSTABLE LEVELERS FOR UNEVEN FLOORS**
- **MATERIAL OF CONSTRUCTION IS FLAME SPREAD AND SMOKE DEVELOPED RATED "CLASS A" PER THE FOLLOWING STANDARDS:**

**ASTM E84-10**  
**UL723**  
**ANSI/NFPA No. 255**  
**UBC No. 8-1**

**MATERIAL ALSO COMPLIES WITH CANADIAN REQUIREMENTS CAN/ULC-S102 FOR FLAME SPREAD AND SMOKE DEVELOPED.**

- **MATERIAL OF CONSTRUCTIONS PHYSICAL PROPRIETIES IN COMPLIANCE WITH:**

**CSA B45.5/IAPMO Z124**  
**ANSI/APA SS-1**

DESCRIPTION	MODEL/OPTION #
<b>A ORIENTATION</b> - Required Selection <span style="float:right">INIT.</span>	
<input type="checkbox"/> <b>Console with Integral Basin</b> 36" L x 22" W x 34" H (914 x 558 x 864 mm) with 14" L x 17" W x 4" H (356 x 432 x 102 mm) Basin	9116
<b>B FRAME</b> - Required Selection <span style="float:right">INIT.</span>	
<input type="checkbox"/> <b>Satin Finish</b> (Standard)	-S
<input type="checkbox"/> <b>Mira Finish</b> (High Polish)	-HP
<b>C COUNTER COLOR SELECTION</b> - Req'd Selection <span style="float:right">INIT.</span>	
<b>Corterra® Solid Surface Color</b> Color: _____ (Refer to <a href="https://www.neo-metro.com/luxury-solid-surface">https://www.neo-metro.com/luxury-solid-surface</a> for available colors)	

**Add (+) D BASIN SELECTION** - Required Selection INIT.

- Square Basin** -BBSQ  
14" L x 14" W x 4" H Basin (356 x 356 x 102 mm)
- Oval Basin** -BBOV  
14" L x 17" W Basin (356 x 432 mm)
- Round Basin** -BBRD  
Ø16" Basin (Ø 406 mm)
- Ramp Basin** -BBRA  
14" L x 17" W Basin (356 x 432 mm)

Overflow Waste is Built-in  
 Specify Plate Finish:  
 Satin (Standard)     High Polish

Customer is required to submit Faucet Spec Sheet to confirm compatibility with Neo-Metro's faucet drilling.

**REQUIRED**

Please indicate location of basin:

<input type="checkbox"/> -LH Left Offset	<input type="checkbox"/> -CTR Centered	<input type="checkbox"/> -RH Right Offset

**Add (+) E OPTIONS** INIT.

- Optional Storage Shelf**
  - Blanco Solid Surface -SWB
- Optional Stainless Steel Towel Bar**
  - Satin Finish -TBS
  - Mira (high polish) -TBS-HP

**Add (+) F FAUCET CONFIG.** - Optional Selection INIT.

- No Faucet Hole** -H0  
For wall mounted faucet
- Single Hole** -H1  
Ø1-5/16" Centered Hole
- 6" Centerset** -H36  
(152 mm)
- 8" Centerset** -H38  
(203 mm)

**Add (+) G DRAWER CONFIG.** - Optional Selection INIT.

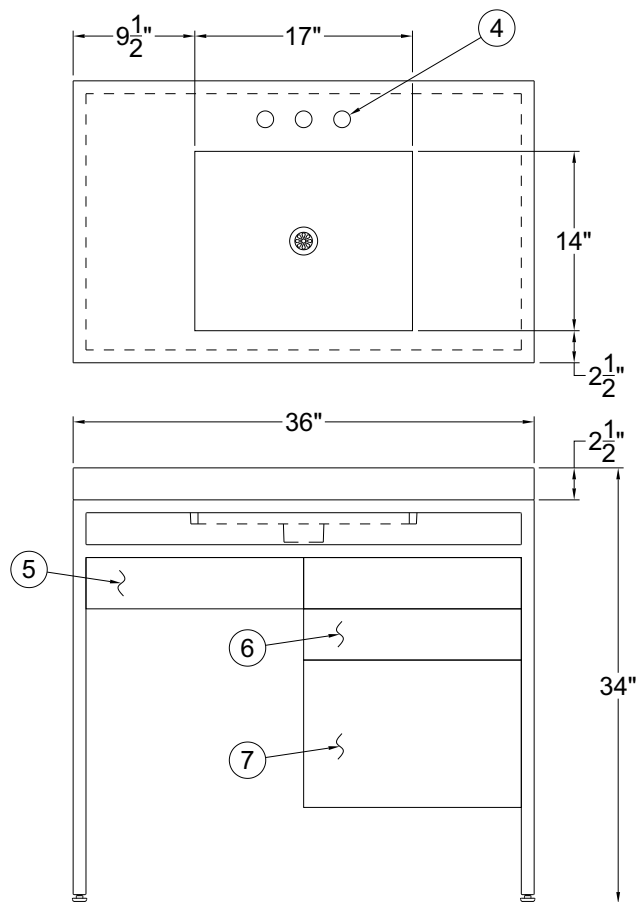
- 4" Short Depth Drawer** -D4S
  - Left Side     Right Side
- 4" Std. Depth Drawer** -D4D
  - Left Side     Right Side
- 11-1/2" Std. Depth Drawer** -D11D
  - Left Side     Right Side

# 36" SLAB Console

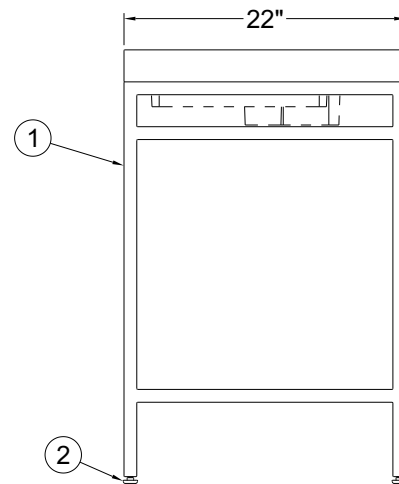
**PRODUCT Specification . . .** The 36" Slab Console /Table includes a 2-1/2" (64mm) thick solid surface Deck with an integral 14" x 17" x 4" depth (356 x 432 x 102mm) solid surface Basin. Solid Surface Basin comes with 1-1/4" Drain hole is provided to accommodate any Drain assembly with Overflow (Drain and P-Trap not included, see Neo-Metro for optional accessories). The Frame is constructed

out of Satin Finish (standard) stainless steel rectangular Tubing. The stainless steel Frame is also available in Mira Finish The Solid Surface Countertop is available in a variety of standard colors. An optional Storage Shelf and Drawers are available. Adjustable Levelers are provided on each Leg for uneven floors. Installation instructions are provided.

Neo-Metro assumes no responsibility for use of void or suspended data. All dimensions are nominal and subject to manufacturer change without notice.



- ① STAINLESS STEEL SQUARE TUBING FOR LEGS AND FRAME
- ② ADJUSTABLE LEVELERS (ALL 4 LEGS)
- ③ 17" X 14" INTEGRAL BASIN
- ④ OPTIONAL -H36 THREE HOLES WITH 6" CENTERS FOR VALVE BY OTHERS
- ⑤ OPTIONAL -D4S 4" SHORT DEPTH
- ⑥ OPTIONAL -D4D 4" STANDARD DEPTH
- ⑦ OPTIONAL -D11D 11-1/2" STANDARD DEPTH



**APPROVAL FOR MANUFACTURE**

COMPANY: \_\_\_\_\_

PROJECT NAME: \_\_\_\_\_

SIGNEE'S NAME WRITTEN CLEARLY: \_\_\_\_\_

DATE: \_\_\_\_\_

AUTHORIZED SIGNATURE: \_\_\_\_\_



Member of  
U.S. Green  
Building  
Council



Recyclable  
Product

**⚠ WARNING:** Cancer and Reproductive Harm - [www.P65Warnings.ca.gov](http://www.P65Warnings.ca.gov)