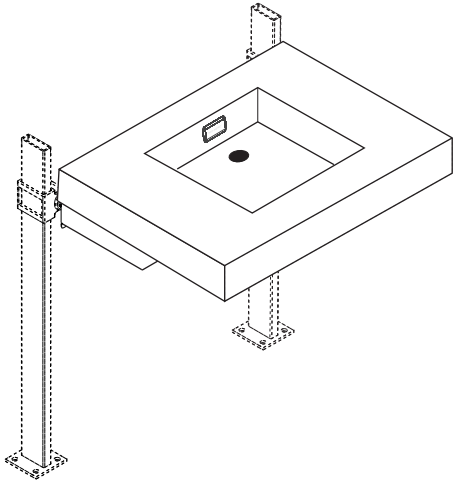


36" Slab



Model Shown: 9115-WM-MC-FLR-CTR-H0
 36" Slab Deck with Commercial Floor Mounted Arm/Carrier, Integrated Basin
 Centered on Deck, No Faucet Drilling

- **WALL MOUNTED 55" LENGTH SOLID SURFACE DECK WITH INTEGRATED BASIN**
- **ENTIRELY CASTED IN ONE-PIECE OF WHITE-COLORED OPAQUE POLYMER RESIN**
- **INTEGRAL BASIN 17" X 14" X 4" DEPTH IS CENTERED ON DECK**
- **ACCOMMODATES SUPPLIED RESIDENTIAL/LIGHT COMMERCIAL MOUNTING CARRIER (HEAVY-DUTY COMMERCIAL FLOOR MOUNTED CARRIER IS ALSO AVAILABLE)**
- **INTEGRATED OVERFLOW WASTE OUTLET**
- **MEETS ADA COMPLIANCY**
- **MATERIAL OF CONSTRUCTION IS FLAME SPREAD AND SMOKE DEVELOPED RATED "CLASS A" PER THE FOLLOWING STANDARDS:**

ASTM E84-10
UL723
ANSI/NFPA No. 255
UBC No. 8-1

MATERIAL ALSO COMPLIES WITH CANADIAN REQUIREMENTS CAN/ULC-S102 FOR FLAME SPREAD AND SMOKE DEVELOPED.

- **MATERIAL OF CONSTRUCTIONS PHYSICAL PROPRIETIES IN COMPLIANCE WITH:**

CSA B45.5/IAPMO Z124
ANSI/ICPA SS-1

- **CORTERRA® SOLID SURFACE POLYMER FIXTURE COMPLIES WITH IAPMO IGC 156, CSA B45 SERIES, ASME A112.18.1/CSA B125.1**

A SOLID SURFACE COLOR - Required Selection INIT.

Corterra® Solid Surface Color

Color: _____

(Refer to <https://www.neo-metro.com/luxury-solid-surface> for available colors)

B DESCRIPTION MODEL/OPTION #

ORIENTATION - Required Selection INIT.

Wall Mounted Deck 9115-WM
 includes Wall Carrier - MC

Standard Arm/Wall Mounted Carrier -MC
 Suggested for residential/light commercial applications

Commercial Floor Mounted Arm/Carrier -MC-FLR
 Required for commercial application (requires 2" x 6" wall construction)

CONSTRUCTION INFORMATION Must specify -
 Wall Thickness: _____
 Wall Type _____

C BASIN SELECTION - Required Selection INIT.

Square Basin -BBSQ
 14" L x 14" W x 4" H Basin (356 x 356 x 102 mm)

Oval Basin -BBOV
 14" L x 17" W Basin (356 x 432 mm)

Round Basin -BBRD
 Ø16" Basin (Ø 406 mm)

Ramp Basin -BBRA
 14" L x 17" W Basin (356 x 432 mm)

Rectangular Basin -3676
 33" x 14" Basin (-DBL Not Available) (838 x 356 x 102 mm)

Overflow Waste is Built-in
 Specify Plate Finish:
 Satin (Standard) High Polish

REQUIRED

Please indicate location of basin:

BACK OF DECK BACK OF DECK BACK OF DECK

-LH Left Offset -RH Right Offset -CTR Centered

D FAUCET CONFIG. - Optional Selection INIT.

No Faucet Hole -H0
 For wall mounted faucet

Single Hole -H1
 ø1-5/16" Centered Hole

6" Centerset -H36
 (152 mm)

8" Centerset -H38
 (203 mm)

Customer is required to submit Faucet Spec Sheet to confirm compatibility with Neo-Metro's faucet drilling.

E TRAP ENCLOSURE CONFIG. - Optional Selection INIT.

Trap Enclosure -TE

36" Slab®

PRODUCT Specification . . . The Slab is a one-piece, solid surface Deck with an integral Basin. The 36" Slab Deck measures 36" x 22" x 4" (914 x 559 x 102mm).


The unit is casted in a white-colored, opaque, polymer resin solid surface material. The durable Deck is resistant to cracking and has excellent thermal shock performance.

The Deck is configured for standard mounting (-MC) which includes an arm/wall mounted carrier appropriate for residential or light commercial applications. An optional commercial floor mounted Arm/Carrier (-MC-FLR) is available for heavier commercial application and requires a 2" x 6" wall construction. Both Carrier systems are concealed in the wall therefore, installation must be coordinated before wall is finished.

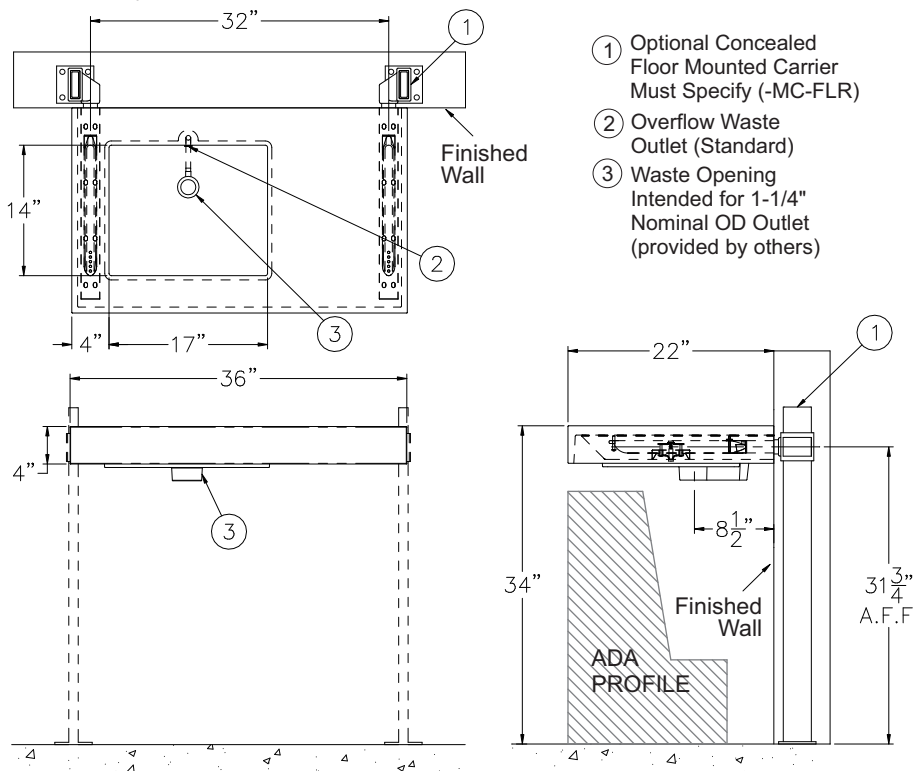
The Integral Basin, 14" x 17" x 4" depth (356 x 432 x 102mm), can be placed on either left (-LH) or right (-RH) side of a 15" (330mm) counter space. Left or right is in the orientation of the user facing the Deck. A center (-CTR) configuration is also available, leaving 9-1/2" (241mm) on both sides.

Standard 1-1/4" Drain Hole is provided to accommodate any Drain assembly with Overflow (Drain and P-Trap not included).

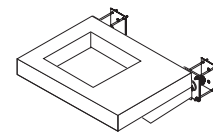
An Overflow Waste channel is also integrated in the cast Basin, draining into the Drain assembly. A Satin Finish stainless steel Cover is provided. High Polish Cover may also be specified.

 **The 36" Slab unit is ADA compliant** if installed properly. (Compliance is subject to the interpretation and requirements of the local code authority. Please check your local ADA requirements.)

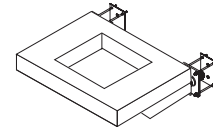
Faucets are not supplied but 1-5/16" (33mm) holes can be drilled in a pre-configured single-hole (-H1), 6-inch (152mm) centerset (-H36), 8-inch (203mm) centerset (-H38) and a No Hole option (-H0), typically for wall mounted Faucets. Neo-Metro requires customers to submit specification sheet of Faucet to confirm compatibility. Custom Faucet configurations may be specified by submitting a completed and signed Faucet Drilling Worksheet.



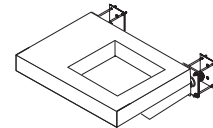
- ① Optional Concealed Floor Mounted Carrier Must Specify (-MC-FLR)
- ② Overflow Waste Outlet (Standard)
- ③ Waste Opening Intended for 1-1/4" Nominal OD Outlet (provided by others)



Model 9115-WM-MC-LH
36" Slab Deck with Standard Arm/Carrier, Configured with a Left Hand Offset Basin



Model 9115-WM-MC-CTR
36" Slab Deck with Standard Arm/Carrier, Configured with a Centered Basin



Model 9115-WM-MC-RH
36" Slab Deck with Standard Arm/Carrier, Configured with a Right Hand Offset Basin



Member of U.S. Green Building Council



Recycle Product

All dimensions are subject to manufacturer's tolerance of plus or minus 1/2" nominal and subject to change without notice. assumes no responsibility for use of void or superseded data. Neo-Metro, City of Industry, CA, Member of Morris Group International. Please visit www.acorneng.com for most current specifications.

 **APPROVAL FOR MANUFACTURE**

COMPANY: _____

PROJECT NAME: _____

SIGNEE'S NAME WRITTEN CLEARLY: _____

DATE: _____

AUTHORIZED SIGNATURE: _____

 **WARNING:** Cancer and Reproductive Harm - www.P65Warnings.ca.gov