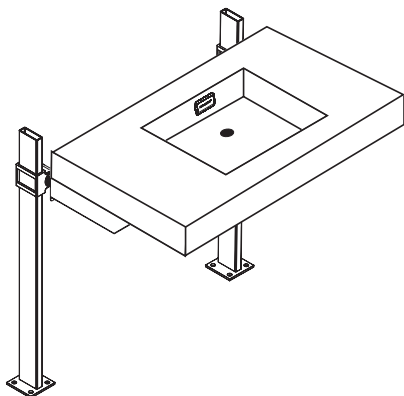


42" Slab



Model Shown: 9114-WM-MC-FLR-CTR-H0
42" Slab Deck with Commercial Floor Mounted Arm/Carrier, Integrated Basin Centered on Deck, No Faucet Drilling

- **WALL MOUNTED 42" LENGTH SOLID SURFACE DECK WITH INTEGRATED BASIN**
- **ENTIRELY CASTED IN ONE-PIECE OF WHITE-COLORED OPAQUE POLYMER RESIN**
- **INTEGRAL BASIN 17" X 14" X 4" DEPTH IS CENTERED ON DECK**
- **ACCOMMODATES SUPPLIED RESIDENTIAL/LIGHT COMMERCIAL MOUNTING CARRIER (HEAVY-DUTY COMMERCIAL FLOOR MOUNTED CARRIER IS ALSO AVAILABLE)**
- **INTEGRATED OVERFLOW WASTE OUTLET**
- **MEETS ADA COMPLIANCY**
- **MATERIAL OF CONSTRUCTION IS FLAME SPREAD AND SMOKE DEVELOPED RATED "CLASS A" PER THE FOLLOWING STANDARDS:**

ASTM E84-10
UL723
ANSI/NFPA No. 255
UBC No. 8-1



MATERIAL ALSO COMPLIES WITH CANADIAN REQUIREMENTS CAN/ULC-S102 FOR FLAME SPREAD AND SMOKE DEVELOPED.

- **MATERIAL OF CONSTRUCTIONS PHYSICAL PROPRIETIES IN COMPLIANCE WITH:**

CSA B45.5/IAPMO Z124
ANSI/ICPA SS-1

- **CORTERRA® SOLID SURFACE POLYMER FIXTURE COMPLIES WITH IAPMO IGC 156, CSA B45 SERIES, ASME A112.18.1/CSA B125.1**

A SOLID SURFACE COLOR - Required Selection INIT.

Corterra® Solid Surface Color

Color: _____

(Refer to <https://www.neo-metro.com/luxury-solid-surface> for available colors)

B DESCRIPTION	MODEL/OPTION #
ORIENTATION - Required Selection INIT.	
<input type="checkbox"/> Wall Mounted Deck includes Wall Carrier - MC	9114-WM
<input type="checkbox"/> Standard Arm/ Wall Mounted Carrier Suggested for residential/ light commercial applications	-MC
<input type="checkbox"/> Commercial Floor Mounted Arm/Carrier Required for commercial application (requires 2" x 6" wall construction)	-MC-FLR
CONSTRUCTION INFORMATION Must specify -	
Wall Thickness: _____	
Wall Type _____	

Add (+) C BASIN SELECTION - Required Selection INIT.

<input type="checkbox"/> Square Basin 14" L x 14" W x 4" H Basin (356 x 356 x 102 mm)	-BBSQ
<input type="checkbox"/> Oval Basin 14" L x 17" W Basin (356 x 432 mm)	-BBOV
<input type="checkbox"/> Round Basin Ø16" Basin (Ø 406 mm)	-BBRD
<input type="checkbox"/> Ramp Basin 14" L x 17" W Basin (356 x 432 mm)	-BBRA
<input type="checkbox"/> Rectangular Basin 33" x 14" Basin (-DBL Not Available) (838 x 356 x 102 mm)	-3676

Overflow Waste is Built-in
Specify Plate Finish:
 Satin (Standard) High Polish

REQUIRED

Please indicate location of basin:

<input type="checkbox"/> BACK OF DECK Left Offset	<input type="checkbox"/> BACK OF DECK Right Offset	<input type="checkbox"/> BACK OF DECK Centered
--	---	---

Add (+) D FAUCET CONFIG. - Optional Selection INIT.

<input type="checkbox"/> No Faucet Hole For wall mounted faucet	-H0
<input type="checkbox"/> Single Hole Ø1-5/16" Centered Hole	-H1
<input type="checkbox"/> 6" Centerset (152 mm)	-H36
<input type="checkbox"/> 8" Centerset (203 mm)	-H38

Customer is required to submit Faucet Spec Sheet to confirm compatibility with Neo-Metro's faucet drilling.

Add (+) E TRAP ENCLOSURE CONFIG. - Optional Selection INIT.

<input type="checkbox"/> Trap Enclosure	-TE
--	-----

42" Slab®


PRODUCT Specification . . . The Slab is a one-piece, solid surface Deck with an integral Basin. The 42" Slab Deck measures 42" x 22" x 4" (1,067 x 559 x 102mm). **The unit is casted** in a white-colored, opaque, polymer resin solid surface material. The durable Deck is resistant to cracking and has excellent thermal shock performance.

The Deck is configured for standard mounting (-MC) which includes an arm/wall mounted Carrier appropriate for residential or light commercial applications. An optional commercial floor mounted Arm/Carrier (-MC-FLR) is available for heavier commercial application and requires a 2" x 6" wall construction. Both Carrier systems are concealed in the wall; therefore, installation must be coordinated before wall is finished.

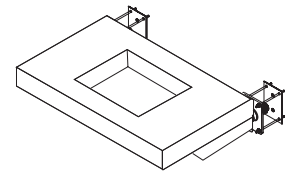
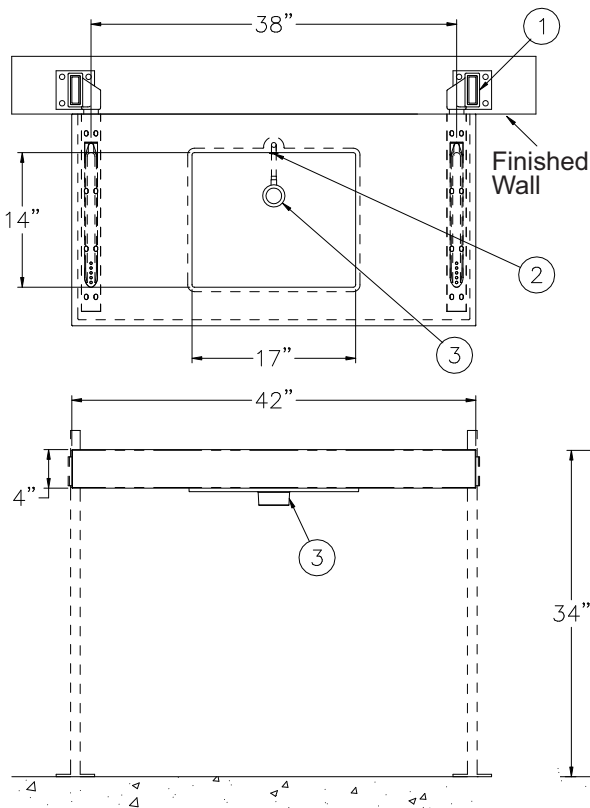
The integral basin, 14" x 17" x 4" depth (356 x 432 x 102mm) is centered (-CTR) on the 42" (1,067mm) Deck leaving 12-1/2" (316mm) Counter space on both sides.

Standard 1-1/4" Drain Hole is provided to accommodate any Drain assembly with overflow (drain and P-trap not included).

An Overflow Waste Channel is also integrated in the cast Basin, draining into the Drain assembly. A Satin Finish stainless steel Cover is provided. High Polish Cover may also be specified.

 **The 42" Slab unit is ADA compliant** if installed properly. (Compliance is subject to the interpretation and requirements of the local code authority. Please check your local ADA requirements.)

Faucets are not supplied but 1-5/16" (33mm) holes can be drilled in a pre-configured single-hole (-H1), 6-inch (152mm) centerset (-H36), 8-inch (203mm) centerset (-H38) and a No Hole option (-H0), typically for wall mounted Faucets. Neo-Metro requires customers to submit specification sheet of Faucet to confirm compatibility. Custom Faucet configurations may be specified by submitting a completed and signed Faucet Drilling Worksheet.



Model Shown: 9114-WM-MC-CTR
42" Slab Deck with Standard Arm/Wall Mounted Carrier

- ① Optional Concealed Floor Mounted Carrier Must Specify (-MC-FLR)
- ② Overflow Waste Outlet (Standard)
- ③ Waste Opening Intended for 1-1/4" Nominal OD Outlet (provided by others)

All dimensions are subject to manufacturer's tolerance of plus or minus 1/2" nominal and subject to change without notice. assumes no responsibility for use of void or superseded data. Neo-Metro, City of Industry, CA, Member of Morris Group International. Please visit www.acorneng.com for most current specifications.

 **APPROVAL FOR MANUFACTURE**

COMPANY: _____

PROJECT NAME: _____

SIGNEE'S NAME WRITTEN CLEARLY: _____

DATE: _____

AUTHORIZED SIGNATURE: _____

 **WARNING: Cancer and Reproductive Harm - www.P65Warnings.ca.gov**