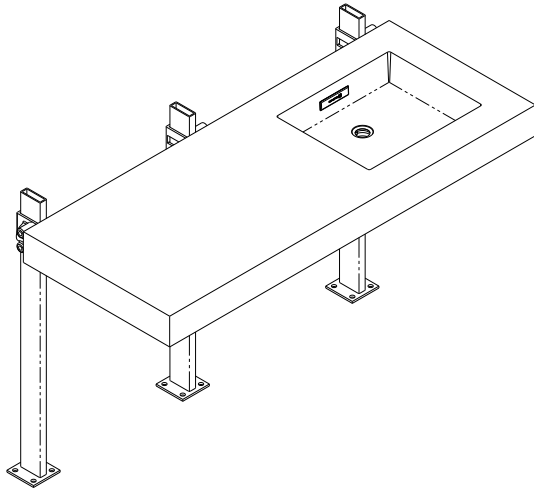


**55" Slab**



**Model Shown: 9113-WM-MC-FLR-RH-HO**  
 55" Slab Deck with Commercial Floor Mounted Arm/Carrier, Integrated Basin Right Deck, No Faucet Drilling

- **WALL MOUNTED 55" LENGTH SOLID SURFACE DECK WITH INTEGRATED BASIN**
- **ENTIRELY CASTED IN ONE-PIECE OF WHITE-COLORED OPAQUE POLYMER RESIN**
- **INTEGRAL BASIN 17" X 14" X 4" DEPTH IS CENTERED ON DECK**
- **ACCOMMODATES SUPPLIED RESIDENTIAL/LIGHT COMMERCIAL MOUNTING CARRIER (HEAVY-DUTY COMMERCIAL FLOOR MOUNTED CARRIER IS ALSO AVAILABLE)**
- **INTEGRATED OVERFLOW WASTE OUTLET**
- **MEETS ADA COMPLIANCY**
- **MATERIAL OF CONSTRUCTION IS FLAME SPREAD AND SMOKE DEVELOPED RATED "CLASS A" PER THE FOLLOWING STANDARDS:**

**ASTM E84-10**  
**UL723**  
**ANSI/NFPA No. 255**  
**UBC No. 8-1**

**MATERIAL ALSO COMPLIES WITH CANADIAN REQUIREMENTS CAN/ULC-S102 FOR FLAME SPREAD AND SMOKE DEVELOPED.**

- **MATERIAL OF CONSTRUCTIONS PHYSICAL PROPRIETIES IN COMPLIANCE WITH:**

**CSA B45.5/IAPMO Z124**  
**ANSI/ICPA SS-1**

- **CORTERRA® SOLID SURFACE POLYMER FIXTURE COMPLIES WITH IAPMO IGC 156, CSA B45 SERIES, ASME A112.18.1/CSA B125.1**

**Add(+)** **A SOLID SURFACE COLOR** - Required Selection INIT.

**Corterra® Solid Surface Color**  
 Color: \_\_\_\_\_  
 (Refer to <https://www.neo-metro.com/luxury-solid-surface> for available colors)

**DESCRIPTION MODEL/OPTION #**

**Add(+)** **B ORIENTATION** - Required Selection INIT.

**Wall Mounted Deck** 9113-WM  
 includes Wall Carrier - MC

**Standard Arm/Wall Mounted Carrier** -MC  
 Suggested for residential/light commercial applications

**Commercial Floor Mounted Arm/Carrier** -MC-FLR  
 Required for commercial application (requires 2" x 6" wall construction)

**CONSTRUCTION INFORMATION Must specify -**  
 Wall Thickness: \_\_\_\_\_  
 Wall Type \_\_\_\_\_

**Add(+)** **C BASIN SELECTION** - Required Selection INIT.

**Square Basin** -BBSQ  
 14" L x 14" W x 4" H Basin (356 x 356 x 102 mm)

**Oval Basin** -BBOV  
 14" L x 17" W Basin (356 x 432 mm)

**Round Basin** -BBRD  
 Ø16" Basin (Ø 406 mm)

**Ramp Basin** -BBRA  
 14" L x 17" W Basin (356 x 432 mm)

**Rectangular Basin** -3676  
 33" x 14" Basin (-DBL Not Available) (838 x 356 x 102 mm)

Overflow Waste is Built-in Specify Plate Finish:  
 Satin (Standard)  High Polish

**REQUIRED**

Please indicate location of basin:

BACK OF DECK BACK OF DECK BACK OF DECK BACK OF DECK

-LH Left Offset  -RH Right Offset  -CTR Centered  -DBL Double Basin

**Add(+)** **D FAUCET CONFIG.** - Optional Selection INIT.

**No Faucet Hole** -H0  
 For wall mounted faucet

**Single Hole** -H1  
 ø1-5/16" Centered Hole

**6" Centerset** -H36  
 (152 mm)

**8" Centerset** -H38  
 (203 mm)

Customer is required to submit Faucet Spec Sheet to confirm compatibility with Neo-Metro's faucet drilling.

**Add(+)** **E TRAP ENCLOSURE CONFIG.** - Optional Selection INIT.

**Trap Enclosure** -TE

**55" Slab®**

**PRODUCT Specification . . .** The Slab is a one-piece, solid surface Deck with an integral Basin. The 55" Slab Deck measures 55" x 22"x 4" (1,400 x 559 x 102mm).

**The unit is casted** in a white-colored, opaque, polymer resin solid surface material. The durable Deck is resistant to cracking and has excellent thermal shock performance.


**The Deck is configured for standard mounting** (-MC) which includes an arm/wall mounted Carrier appropriate for residential or light commercial applications. An optional commercial floor mounted Arm/Carrier (-MC-FLR) is available for heavier commercial application and requires a 2" x 6" wall construction. Either mounting system has three Arms/Legs. Both carrier systems are concealed in the wall; therefore, installation must be coordinated before wall is finished.

**The Integral Basin, 14" x 17" x 4" depth** (356 x 432 x 102mm), can be placed on either left (-LH) or right (-RH) side of a 34" (864mm) counter space. Left or right is in the orientation of the user facing the Deck. A dual (-DBL) configuration features two Basins. The Drains will be configured 30" (762mm) apart.

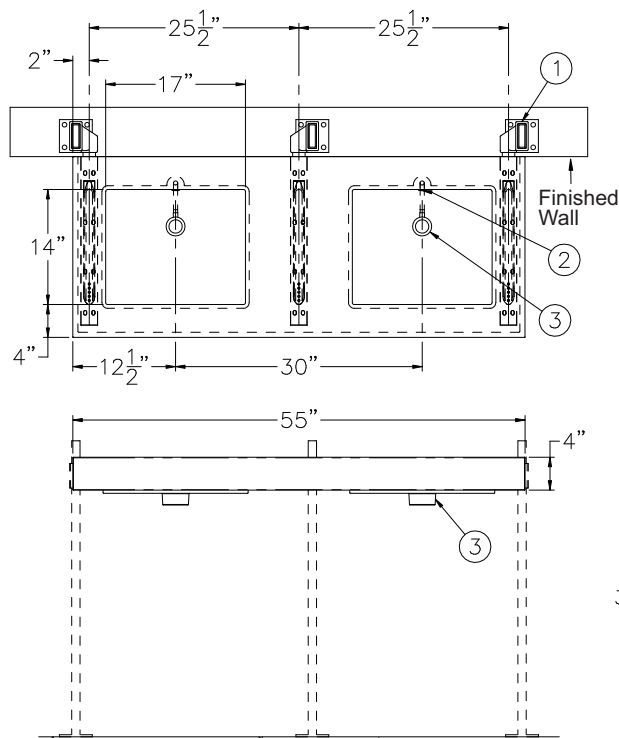
**Standard 1-1/4" Drain Hole** is provided to accommodate any

drain assembly with overflow (drain and P-trap not included)

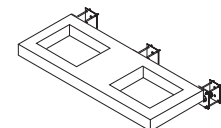
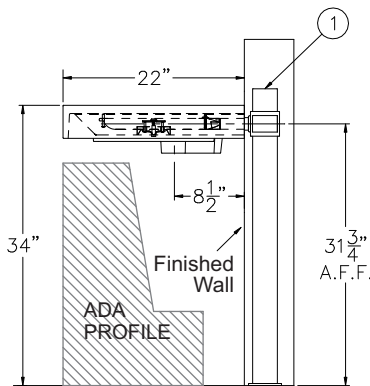
**An Overflow Waste Channel** is also integrated in the cast Basin(s), draining into the Drain assembly. A Satin Finish stainless steel Cover is provided. High Polish Cover may also be specified.

 **The 55" Slab unit is ADA compliant** if installed properly. (Compliance is subject to the interpretation and requirements of the local code authority. Please check your local ADA requirements.)

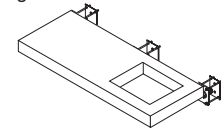
**Faucets are not supplied** but 1-5/16" (33mm) holes can be drilled in a pre-configured single-hole (-H1), 6-inch (152mm) centerset (-H36), 8-inch (203mm) centerset (-H38) and a No Hole option (-H0), typically for wall mounted Faucets. Neo-Metro requires customers to submit specification sheet of Faucet to confirm compatibility. Custom Faucet configurations may be specified by submitting a completed and signed Faucet Drilling Worksheet.



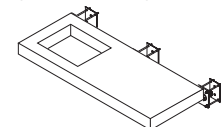
- ① Optional Concealed Floor Mounted Carrier Must Specify (-MC-FLR)
- ② Overflow Waste Outlet (Standard)
- ③ Waste Opening Intended for 1-1/4" Nominal OD Outlet (provided by others)



**Model 9113-WM-MC-DBL**  
55" Slab Deck with Standard Arm/Carrier, Configured with a Double Basin



**Model 9113-WM-MC-RH**  
55" Slab Deck with Standard Arm/Carrier, Configured with a Right Hand Offset Basin



**Model 9113-WM-MC-LH**  
55" Slab Deck with Standard Arm/Carrier, Configured with a Left Hand Offset Basin



Member of U.S. Green Building Council



Recyclable Product

Neo-Metro assumes no responsibility for use of void or suspended data. All dimensions are nominal and subject to manufacturer change without notice.

 **APPROVAL FOR MANUFACTURE**

COMPANY: \_\_\_\_\_

PROJECT NAME: \_\_\_\_\_

SIGNEE'S NAME WRITTEN CLEARLY: \_\_\_\_\_

DATE: \_\_\_\_\_

AUTHORIZED SIGNATURE: \_\_\_\_\_

 **WARNING:** Cancer and Reproductive Harm - [www.P65Warnings.ca.gov](http://www.P65Warnings.ca.gov)