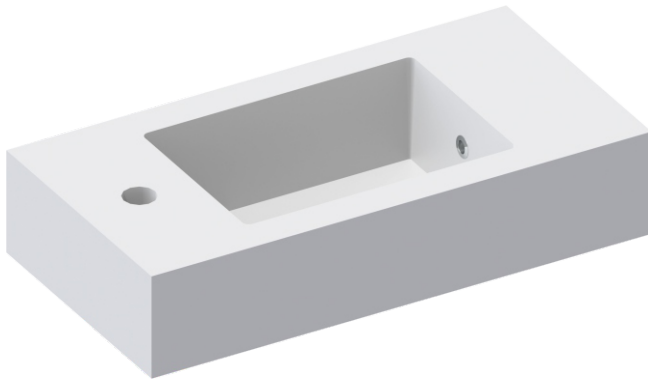


Micro Slab



Model 9100-WM-H1L
Micro Slab Deck Configured with Left Hand Faucet Hole

- **WALL MOUNTED SOLID SURFACE DECK WITH INTEGRATED BASIN**
- **OPTIONAL 1-1/4" FAUCET HOLE IN A LEFT OR RIGHT CONFIGURATION FOR CHIC APPEAL AND SPACE-SAVING DESIGN**
- **10-5/8" X 7-1/8" X 4" DEEP INTEGRAL BASIN IS CENTERED ON DECK**
- **OPTIONAL INTEGRATED OVERFLOW WASTE OUTLET**
- **SEAMLESS AND LINEAR BASIN WITH NO EMBELLISHMENTS, NO STEEL, AND NO VISIBLE SUPPORTS**
- **MATERIAL OF CONSTRUCTION IS FLAME SPREAD AND SMOKE DEVELOPED RATED "CLASS A" PER THE FOLLOWING STANDARDS:**

**ASTM E84-10
UL723
ANSI/NFPA No. 255
UBC No. 8-1**

MATERIAL ALSO COMPLIES WITH CANADIAN REQUIREMENTS CAN/ULC-S102 FOR FLAME SPREAD AND SMOKE DEVELOPED.

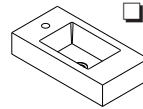
- **MATERIAL OF CONSTRUCTIONS PHYSICAL PROPRIETIES IN COMPLIANCE WITH:**

**CSA B45.5/1APMO Z124
ANSI/ICPA SS-1**



DESCRIPTION **MODEL/OPTION #**

A ORIENTATION - Required Selection INIT. _____

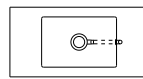


- Wall Mounted Deck** (Standard Mounting) 9100-WM

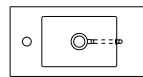
Add(+) **B SOLID SURFACE COLOR** - Required Selection INIT. _____

Corterra® Solid Surface Color
Color: _____
(Refer to <https://www.neo-metro.com/luxury-solid-surface> for available colors)

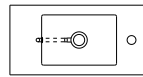
Add(+) **C FAUCET CONFIG.** - Required Selection INIT. _____



- No Faucet Hole** -H0
For Wall Mounted Faucet



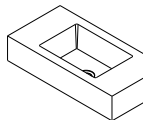
- Left Hand Faucet Hole** -H1L
ø1-1/4" Left Handed Hole



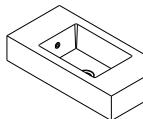
- Right Hand Faucet Hole** -H1R
ø1-1/4" Right Handed Hole

Customer is required to submit Faucet spec sheet to confirm compatibility with Neo-Metro's Faucet drilling.

Add(+) **D OPTIONS** - Optional Selection INIT. _____

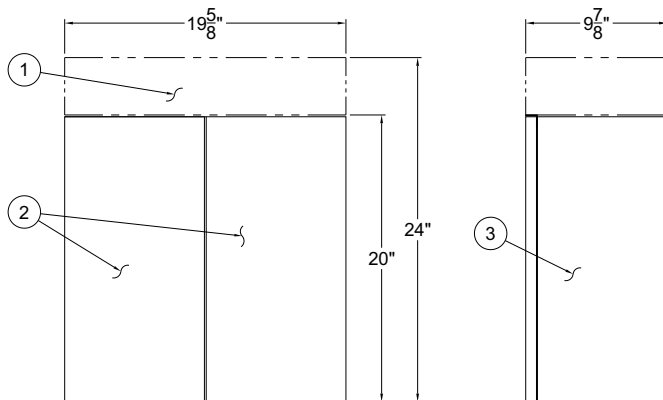
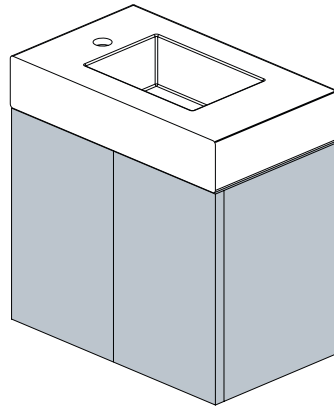
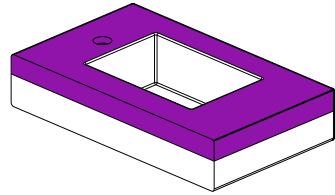


- No Overflow**



- Overflow Waste Outlet** -OF

Micro Slab



DESCRIPTION

MODEL/OPTION #

Add(+) **E** 1/2" TRANSLUCENT RESIN or SOLID SURFACE TOP - Optional Selection INIT.

Corterra® Solid Surface Color

Color: _____
 (Refer to <https://www.neo-metro.com/luxury-solid-surface> for available colors)

Resin Top Color

- | | |
|------------------------------|--------|
| Cloud Nine Resin (white) | -RDC01 |
| Stealth Fog Resin (black) | -RDC02 |
| Yokan Resin (amber) | -RDC03 |
| Oceana Resin (aqua) | -RDC04 |
| Skye Resin (blue) | -RDC05 |
| Cranjuice Resin (red) | -RDC06 |
| Wineberry Resin (purple) | -RDC07 |
| Green Tea Resin (dark green) | -RDC08 |
| Green Apple Resin (green) | -RDC09 |
| Blueberry Resin (turquoise) | -RDC11 |
| Tangerine Dream (orange) | -RDC12 |
| Custom Color Resin | -RDC00 |

Add(+) **F** CABINET - Optional Selection INIT.

Corterra® Solid Surface Color

- | | |
|--------------------|------------|
| Blanco (white) | -CAB-RDC10 |
| Grey Goose (grey) | -CAB-RDC14 |
| Anise (black) | -CAB-RDC16 |
| Gilded Bronze | -CAB-RDC17 |
| Parchment | -CAB-RDC18 |
| Cotton Tail | -CAB-RDC19 |
| Meteorite | -CAB-RDC20 |
| Moonstone Metallic | -CAB-RDC21 |
| Café Con Leche | -CAB-RDC22 |

- ① #9100 Slab With 10-5/8" x 7-1/8" x 4"
Deep Integral Basin Shown For Reference
- ② 3/4" Solid Surface Doors
- ③ 1/2" Solid Surface Side Panels

Micro Slab

Counter is constructed of Corterra® solid surface polymer resin. Fixture includes integral Overflow.

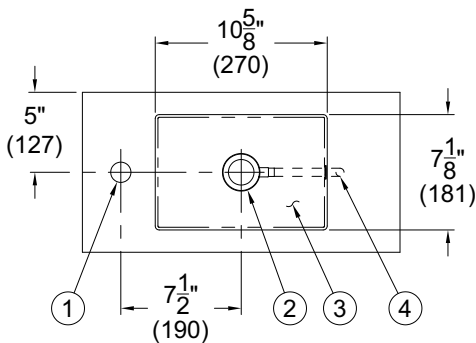
The Integral Basin is 10-5/8" x 7-1/8" x 4" deep (270 x 181 x 102 mm).

Standard 1-1/4" Drain Hole is provided to accommodate any Drain assembly with Overflow (Drain and P-Trap not included).

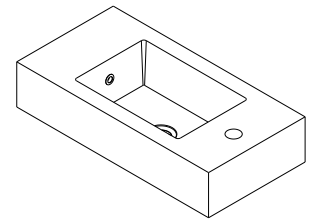
Optional Overflow Waste Channel is also integrated in the casted basin, draining into the drain assembly.

Mounting Brackets are included and fabricated of 12 gage galvanized or galvanized steel with rear anchoring slots. Adequate wall backing is required. Hardware to be provided by others.

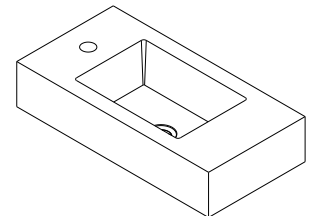
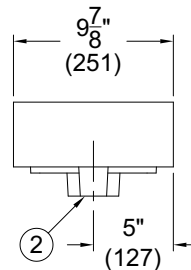
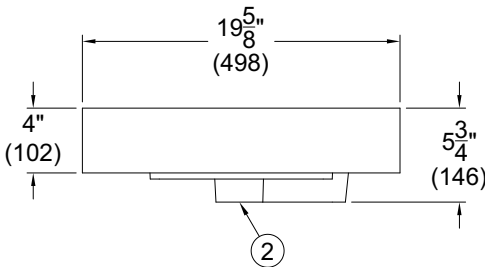
Faucets are not supplied but 1-1/4" (31.75 mm) hole is drilled in a pre-configured left or right handed single-hole (-H1L or -H1R) and a No Hole option (-H0), typically for wall mounted Faucets. Neo-Metro requires customers to submit specification sheet of Faucet to confirm compatibility.



- ① Ø1-1/4" HOLE FOR FAUCET BY OTHERS
- ② DRAIN HOLE FOR 1-1/4" NOMINAL O.D. WASTE OUTLET, BY OTHERS
- ③ 10-5/8" x 7-1/8" x 4" INTEGRAL BASIN
- ④ OPTIONAL -OF OVERFLOW



Model 9100-WM-H1R
Micro Slab Deck Configured with Right Hand Faucet Hole



Model 9100-WM-H1L
Micro Slab Deck Configured with Left Hand Faucet Hole

All dimensions are subject to manufacturer's tolerance of plus or minus 1/2" nominal and subject to change without notice. assumes no responsibility for use of void or superseded data. Neo-Metro, City of Industry, CA, Member of Morris Group International. Please visit www.neo-metro.com for most current specifications.

APPROVAL FOR MANUFACTURE

COMPANY: _____

PROJECT NAME: _____

SIGNEE'S NAME WRITTEN CLEARLY: _____

DATE: _____

AUTHORIZED SIGNATURE: _____

⚠ WARNING: Cancer and Reproductive Harm - www.P65Warnings.ca.gov