



## CERINE™ Tub - Custom Exterior

### FEATURES

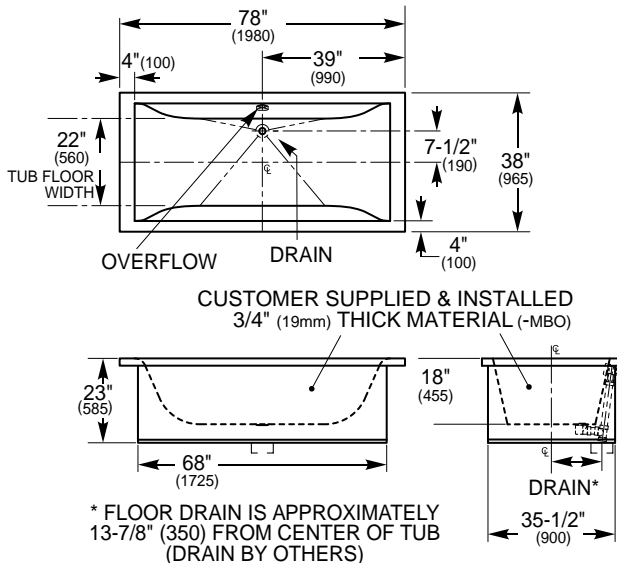
- **Custom Decorated Tub**
- **SIDES COVERED WITH CUSTOM EXTERIOR(-MBO)**  
YOU DECIDE! Customer Supplies and Installs Own 3/4" (19 mm) Thick Material.
- **Heavy 16-Gage Satin Finish Stainless Steel Construction**
- **Stainless Steel is a Recyclable Metal.** ♻️
- **Reclining Slope on Both Sides of Tub**
- **Custom Sizes and Features Can be Fabricated.**  
Please Contact Neo-Metro with Custom Specs & Drawing for Quotation.
- **Can be Manufactured to Accommodate Jetting**  
Includes System to Maintain Water Temperature

**NOTE: Faucet and drain\* in floor not included.**



**Cerine Tub Model 8998-MBO**

Stainless Steel + Material Supplied and Installed by Customer  
(Tub shown above: Glass Mosaic Tiles by Bisazza)



### ORDERING OPTIONS

- 8998-MBO CERINE Satin Finish Stainless Steel Tub with Custom Exterior  
3/4" (19 mm) Thick Material & Installation by Customer
- JET Tub to be configured with massage air jet system with integral temperature maintenance capabilities

### ELECTRICAL SPECIFICATIONS

Voltage: 120 VAC Freq.: 60 Hz Amps: 10 A

**INSTALLATION INSTRUCTIONS ARE AVAILABLE.**

**Product Specification . . .** Tub shall be manufactured with heavy gage, type 304 stainless steel. Construction shall be seamless welded and exposed surfaces shall be polished to a Satin Finish. The patented<sup>®</sup> Cerine Tub design features reclining slopes in the inside of the tub. Customer is supplied with the stainless tub/frame to install his own material. The material should be 3/4" (19 mm) thick and should be water resistant. The tub can be optionally configured with a massage jet system. The jet system will also maintain the warm water temperature. A push button switch on the rim of the jetted tub, turns off and on the jetting, with 3 speed settings. Jet system shall use UL compliant components. The electrical specifications include: 120 VAC; 60 Hz and 10 amps.

**Plumbing Specification . . .** Drain in the tub floor off-centered (see drawing). Faucet and bathroom floor drain not provided by Neo-Metro.

<sup>®</sup> U.S. Design Patent 483840

#### Approved for Manufacturing

Company	Project Name	Authorized Signature	Name Written Clearly	Date
---------	--------------	----------------------	----------------------	------

Neo-Metro assumes no responsibility for use of void or suspended data. All dimensions are nominal and subject to manufacturer change without notice. © 2005 NEO-METRO®, A Division of Acorn Engineering Company. Please visit [www.neo-metro.com](http://www.neo-metro.com) for most current specifications.

**TOLL FREE 800-591-9050 • WEB SITE [www.neo-metro.com](http://www.neo-metro.com)**

NEO-METRO® • P.O. Box 3527 • City of Industry, CA 91744 U.S.A. • Local Phone 626-855-4854 • Fax 626-937-4725

**TS 8998M**  
PAGE 1 OF 1

L1000954 (2/22/05)