



## CERINE™ Vanity - Custom Exterior

### FEATURES

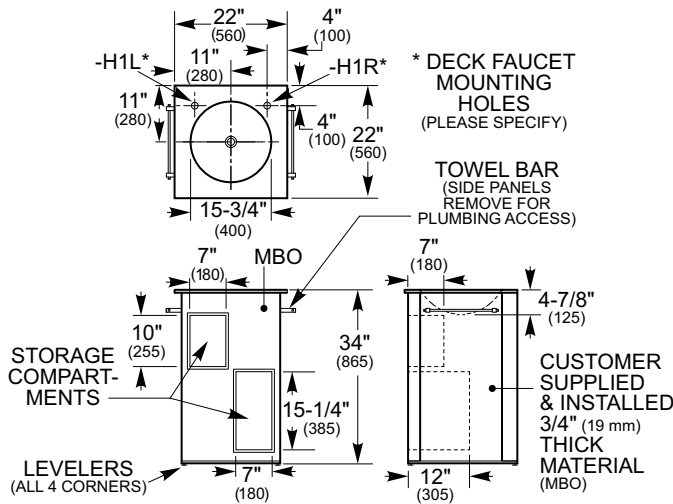
- Custom Decorated Vanity
- SIDES COVERED WITH CUSTOM EXTERIOR (-MBO)  
YOU DECIDE! Customer Supplies and Installs Own 3/4" (19 mm) Thick Material.
- Heavy 16-Gage Satin Finish Stainless Steel Construction
- Stainless Steel is a Recyclable Material.
- Two Large Storage Compartments on Front Side
- Two Side Towel Bars
- Side Panel Removes for Plumbing Access.

NOTE: Drain, P-Trap & Faucet not Included.



**Model 8997-MBO-H0**

Satin Finish Stainless Steel + Custom Exterior  
(to be determined - YOUR CHOICE)  
Stainless Steel Custom Exterior Vanity  
as Shipped to Customer.  
FAUCET NOT INCLUDED.



### ORDERING OPTIONS

- 8997-MBO CERINE Satin Finish Stainless Steel Vanity with Custom Exterior  
3/4" (19 mm) Thick Material & Installation by Customer
  - OF Option - Overflow Outlet
- \* All basins must be specified for faucet punching on deck. FAUCETS NOT INCLUDED. Other punching configurations can be requested.
- H1L Single Hole Angle Left
  - H1R Single Hole Angle Right
  - H0 Less Punching (Requires Wall Mount Faucet)

INSTALLATION INSTRUCTIONS ARE AVAILABLE.

**PRODUCT Specification** . . . Vanity shall be manufactured of 16-gage, Type 304 Satin Finish stainless steel, seam welded construction. Customer will supply and install their own material of 3/4" (19mm) thickness for the side and front panels. Basin shall have a large, 15-3/4" (400 mm) diameter bowl. Two storage compartments are provided in front of the vanity. Towel bars are provided on both sides. Levelers are provided on the bottom of all four corners to adjust for uneven floors.

**PLUMBING Specification** . . . Vanity shall rest on the floor against a wall. Side panels are provided to access drain and P-trap. The deck can be factory punched with single hole on the left or right corner for a single hole faucet (customer must specify at time of ordering). \* Hole punched for faucet is 1-5/16" (33 mm) diameter. Basin shall have a centered 1-1/2" (38 mm) diameter drain opening for standard drain fitting. Faucet, drain and P-trap are not included.

#### Approved for Manufacturing

Company	Project Name	Authorized Signature	Name Written Clearly	Date
---------	--------------	----------------------	----------------------	------

Neo-Metro assumes no responsibility for use of void or suspended data. All dimensions are nominal and subject to manufacturer change without notice. © 2007 NEO-METRO®, A Division of Acorn Engineering Company. Please visit [www.neo-metro.com](http://www.neo-metro.com) for most current specifications.

**TOLL FREE 800-591-9050 • WEB SITE [www.neo-metro.com](http://www.neo-metro.com)**

NEO-METRO® • P.O. Box 3527 • City of Industry, CA 91744 U.S.A. • Local Phone 626-855-4854 • Fax 626-937-4725

**TS 8997M**  
PAGE 1 OF 1

L1000949 (6/1/07)