



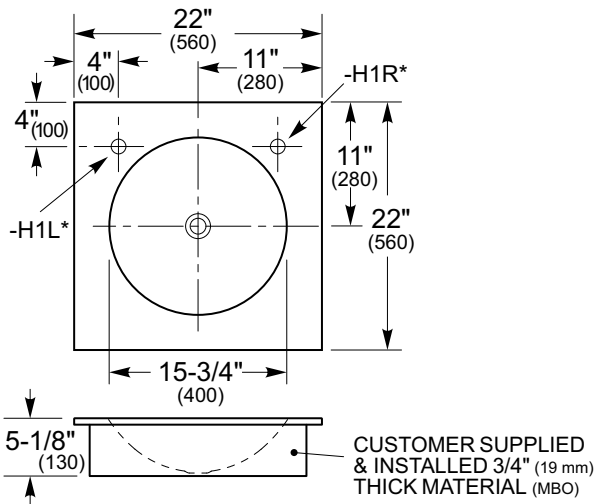
CERINE™ Counter Top Vessel - Custom Exterior

FEATURES

- **Custom Decorated Vessel**
Designed for Placement on Countertop.
 - **SIDES COVERED WITH CUSTOM EXTERIOR (-MBO)**
YOU DECIDE! Customer Supplies & Installs Own 3/4" (19 mm) Thick Material.
 - **Heavy 16-Gage Satin Finish Stainless Steel Construction**
 - **Stainless Steel is a Recyclable Material.**
- NOTE: Drain, P-Trap & Faucet not Included**



Model 8996-MBO-H1L
Stainless Steel + Custom Exterior (Glass Mosaic Tiles by Bisazza)
Angle Right Faucet Punching* FAUCET NOT INCLUDED



ORDERING OPTIONS

- 8996-MBO CERINE Satin Finish Stainless Steel Vessel with Custom Exterior
3/4" (19 mm) Thick Material & Installation by Customer

- OF Option - Overflow Outlet

- *All basins must be specified for faucet punching on deck. FAUCETS NOT INCLUDED. Other punching configurations can be requested.
- H1L Single Hole Angle Left
- H1R Single Hole Angle Right
- H0 Less Punching (Requires Wall Mount Faucet)

INSTALLATION INSTRUCTIONS ARE AVAILABLE.

PRODUCT Specifications . . . CERINE Vessel shall be manufactured of 16-gage, Type 304 stainless steel, seam welded construction. Basin shall have a large 15-3/4" (400 mm) interior dimension round bowl. Customer is supplied with the stainless steel bowl/deck and frame to install his own material. The material should be 3/4" (19 mm) thick and should be water resistant.

PLUMBING Specification . . . Basin rests on a counter. The deck of the vessel can be factory punched with single hole on the left or right corner for a single hole faucet (customer must specify at time of ordering).* Hole punched for faucet is 1-5/16" (33 mm) diameter. Basin shall have a centered 1-1/2" (38 mm) diameter drain opening for standard drain fitting. Faucet, drain and P-trap are not included.

Approved for Manufacturing

Company	Project Name	Authorized Signature	Name Written Clearly	Date
---------	--------------	----------------------	----------------------	------

Neo-Metro assumes no responsibility for use of void or suspended data. All dimensions are nominal and subject to manufacturer change without notice. © 2005 NEO-METRO®, A Division of Acorn Engineering Company. Please visit www.neo-metro.com for most current specifications.

TOLL FREE 800-591-9050 • WEB SITE www.neo-metro.com
NEO-METRO® • P.O. Box 3527 • City of Industry, CA 91744 U.S.A. • Local Phone 626-855-4854 • Fax 626-937-4725

TS 8996M
PAGE 1 OF 1
L1000947 (6/1/07)