

HWS Wash Fountain (Circular)





Model Shown: 8985-8-ADA-SO-DV
Satin Finish Stainless Steel Eight-Station ADA Compliant Circular Wash Fountain with Sensor Operation and Optional Liquid Soap Dispensers.

- **Pedestal Circular Wash Fountain**
- **Heavy 16-Gage Stainless Steel Construction**
- **Satin Finish (Entire Unit) is Standard**
Optional Finishes include White Gloss and Black Matte Powdercoat
- **6 Station and 8 Station Configurations Available**
- **Vandal-Resistant Spray Nozzles**
- **Sensor Operated Vandal-Resistant Spray Nozzles**
- **Thermostatic Mixing Valve is supplied**
- **ADA Compliant units are available**
- **Codes/Standards Applicable - ANSI, ADA, UFAS**



DESCRIPTION	MODEL/OPTION #
-------------	----------------

STATIONS & FINISHES - Required Selection		INIT.
PEDESTAL 6 STATION CIRCULAR WASH FOUNTAIN		
<input type="checkbox"/> Satin Finish (standard)	8985-6	
<input type="checkbox"/> White Gloss Powdercoat	8985-6-EG10	
<input type="checkbox"/> Black Matte Powdercoat	8985-6-EG22	
PEDESTAL 8 STATION CIRCULAR WASH FOUNTAIN		
<input type="checkbox"/> Satin Finish (standard)	8985-8	
<input type="checkbox"/> White Gloss Powdercoat	8985-8-EG10	
<input type="checkbox"/> Black Matte Powdercoat	8985-8-EG22	

OPTIONS		INIT.
ACTIVATION OPTIONS Selection may alter dimension of unit		
	<input type="checkbox"/> ADA Compliant 54" Diameter Bowl and 19-1/4" Diameter Pedestal	-ADA
	<input type="checkbox"/> Liquid/Lotion Soap Dispenser	-DV

 **APPROVAL FOR MANUFACTURE**



Member of
U.S. Green
Building
Council



Recyclable
Product

COMPANY: _____

PROJECT NAME: _____

SIGNEE'S NAME WRITTEN CLEARLY: _____ DATE: _____

AUTHORIZED SIGNATURE: _____

 **WARNING:** Cancer and Reproductive Harm - www.P65Warnings.ca.gov

HWS Wash Fountain (Circular)

Product Specifications...

Bowl and Sprayhead are type 304 stainless steel with satin finish. Bowl has an integral sprayhead. Sprayhead is 15" diameter x 5-1/4" high.

Housing is 16 gage stainless steel.



ADA Compliance. Units conform to ANSI, UFAS and ADA requirements for accessibility. Compliance is subject to the interpretation and requirements of the local code authority.

Soap/Toiletry Tray on top of sprayhead is standard.

Sectional Control is standard. One pushbutton or sensor actuates one station.

Electronic Sensor Operation includes individual solenoid valves activated by infrared sensors. A low voltage transformer is provided.

Spray Nozzles are vandal-resistant and provide a concentrated 0.5 GPM spray at each station.

Hot & Cold Supplies are blended in a pressure balancing mixing valve furnished with checkstops, strainers and flexible supply connections. A minimum of 30 PSI supply pressure is required.

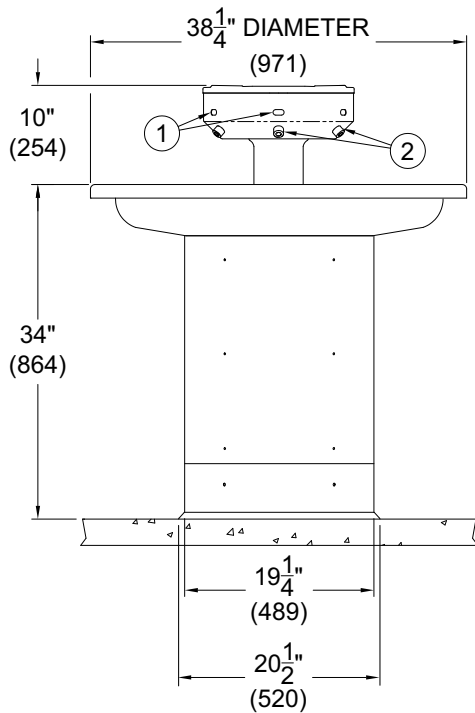
Waste Connection is 2" No-Hub. No-Hub connector by others.

-DV Type Soap Dispenser (option) is available for liquid or lotion type soaps. Dispensers are below the sprayhead with a easily refillable concealed reservoir.

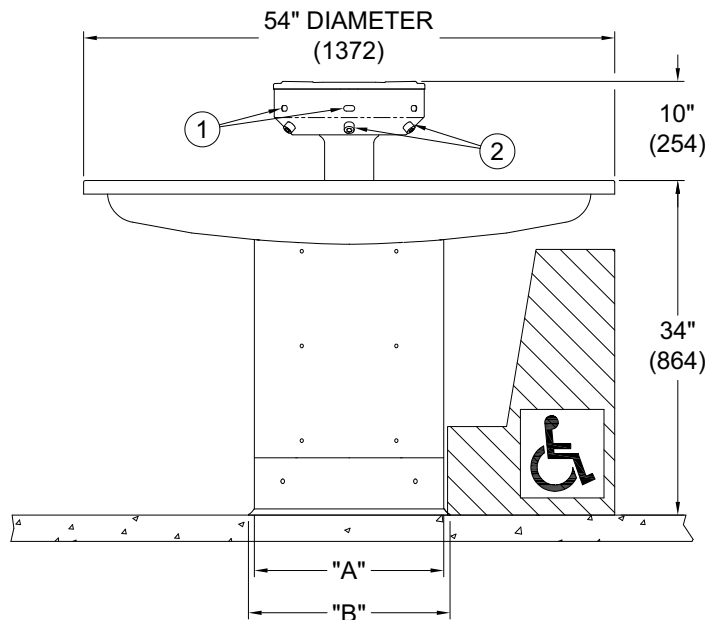
-HTR Electric Instantaneous Water Heater (option) is available. The heater is point of use and placed in the trap cover. (Additional specification are required)

Custom options available. Contact Neo-Metro for details.

- NOTES:
 1. EYE SENSOR
 2. SPRAY NOZZLE



8985-6



8985-6-ADA

MODEL #	DIM "A"	DIM "B"
8985-6 (8)-ADA	19-1/4" (489)	20-1/2" (520)
8985-6 (8)	23-1/4" (590)	34-3/8" (873)

Neo-Metro assumes no responsibility for use of void or suspended data. All dimensions are nominal and subject to manufacturer change without notice.

INSTALLATION INSTRUCTIONS ARE AVAILABLE