

**HWS Wash Fountain (Corner Unit)**



**Model Shown: 8984-3C**  
Satin Finish Stainless Steel Three Station Corner Wash Fountain

- **Wall Mounted Corner Wash Fountain**
- **Heavy 16-Gage Stainless Steel Construction**
- **Satin Finish (Entire Unit) is Standard**  
Optional Finishes include White Gloss and Black Matte Powdercoat
- **Three-Station Configuration**
- **Sensor Operated Vandal-Resistant Spray Nozzles**
- **Thermostatic Mixing Valve is supplied**
- **Codes/Standards Applicable - ANSI, ADA, UFAS**



DESCRIPTION	MODEL/OPTION #
<b>FINISH</b> - Required Selection	INIT. _____

**WALL MOUNTED THREE-STATION CORNER WASH FOUNTAIN**

- |   |              |
|---|--------------|
| <input type="checkbox"/> <b>Satin Finish</b> (standard) | 8984-3C      |
| <input type="checkbox"/> <b>White Gloss Powdercoat</b>  | 8984-3C-EG10 |
| <input type="checkbox"/> <b>Black Matte Powdercoat</b>  | 8984-3C-EG22 |

**OPTIONS** INIT. \_\_\_\_\_



- |  |     |
|--|-----|
| <input type="checkbox"/> <b>Liquid/Lotion Soap Dispenser</b> | -DV |
|--|-----|



**APPROVAL FOR MANUFACTURE**

COMPANY: \_\_\_\_\_

PROJECT NAME: \_\_\_\_\_

SIGNEE'S NAME WRITTEN CLEARLY: \_\_\_\_\_

DATE \_\_\_\_\_

AUTHORIZED SIGNATURE: \_\_\_\_\_



Neo-Metro is a Member of U.S. Green Building Council



**WARNING:** Cancer and Reproductive Harm - [www.P65Warnings.ca.gov](http://www.P65Warnings.ca.gov)

**HWS Wash Fountain (Corner Unit)**

**Product Specification...**

**Bowl and Sprayhead** are type 304 Satin Finish stainless steel. Bowl is 37" wide, and has an integral backsplash and sprayhead. Heavy-duty S-clips securely anchor the backsplash to the wall. Sprayhead is 15" diameter x 5-1/4" high.

**Contoured Housing** is fabricated of 16 gage, type 304 Satin Finish stainless steel. One piece housing and flush mounted access cover allow for easier installation and servicing of unit.



**ADA Compliance.** Units with rim height of 34" conform to ANSI, UFAS and ADA requirements for accessibility. Compliance is subject to the interpretation and requirements of the local code authority.

**Soap/Toiletary Tray** on top of sprayhead is standard. There are additional self-draining, air-circulating soap dishes on each side of the bowl.

**Sectional Control** is standard. One sensor actuates one station. The corner unit is only available with three stations..

**Electronic Sensor Operation** includes individual solenoid valves activated by infrared sensors. A low voltage transformer is provided.

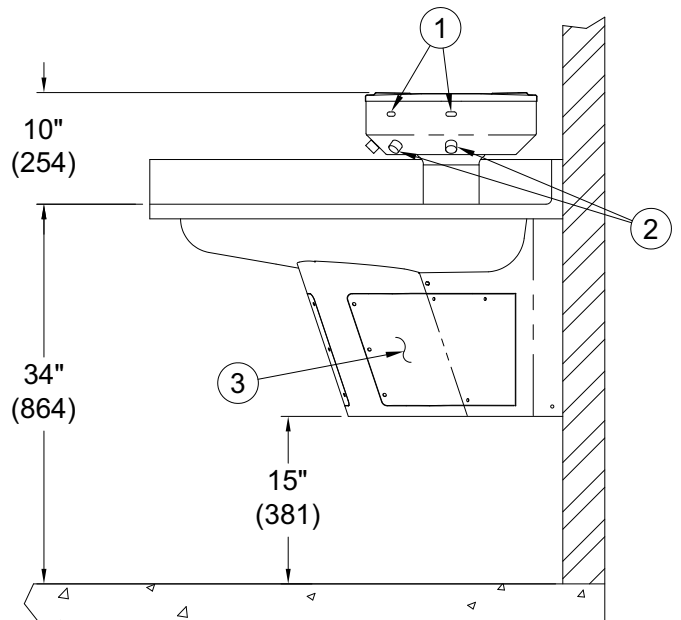
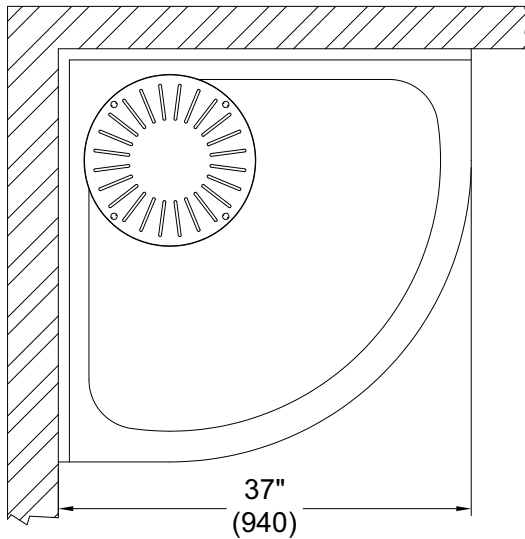
**Spray Nozzles** are vandal-resistant and provide a concentrated 0.5 GPM spray at each station.l

**Hot & Cold Supplies** are blended in a thermostatic mixing valve furnished with checkstops, strainers and flexible supply connections. A minimum of 30 PSI supply pressure is required.

**Waste Connection** is a 1-1/2" OD x 4" tailpiece.

**-DV Pump Type Soap Dispenser** is available for liquid or lotion type soaps. Dispensers are mounted below the sprayhead with a easily refillable concealed reservoir.

**-HTR Electric Instantaneous Water Heater** is available. The heater is place in the trap cover. (Additional specification are required)



**NOTES:**

1. Sensor Eye

2. Spray Nozzle

3. Hinged Access Panel

Neo-Metro assumes no responsibility for use of void or suspended data. All dimensions are nominal and subject to manufacturer change without notice.

**INSTALLATION INSTRUCTIONS ARE AVAILABLE**