

**HWS Wash Fountain (Semi-Circular)**



**Model Shown: 8984-4**  
Satin Finish Stainless Steel Four Station Wash Fountain

- **Wall Mounted Semi-Circular Wash Fountain**
- **Heavy 16-Gage Stainless Steel Construction**
- **Satin Finish (Entire Unit) is Standard**  
Optional Finishes include White Gloss and Black Matte Powdercoat
- **Three-Station and Four-Station Configurations Available**
- **Sensor Operated Vandal-Resistant Spray Nozzles**
- **Thermostatic Mixing Valve is supplied**
- **Codes/Standards Applicable - ANSI, ADA, UFAS**



Stainless Steel Wash Fountain is Recyclable 

Neo-Metro is a Member of U.S. Green Building Council 

DESCRIPTION	MODEL/OPTION #
<b>STATIONS &amp; FINISHES</b> - Required Selection INIT. _____	
<b>WALL MOUNTED THREE-STATION SEMI-CIRCULAR WASH FOUNTAIN</b>	
<input type="checkbox"/> <b>Satin Finish</b> (standard)	8984-3
<input type="checkbox"/> <b>White Gloss Powdercoat</b>	8984-3-EG10
<input type="checkbox"/> <b>Black Matte Powdercoat</b>	8984-3-EG22
<b>WALL MOUNTED FOUR-STATION SEMI-CIRCULAR WASH FOUNTAIN</b>	
<input type="checkbox"/> <b>Satin Finish</b> (standard)	8984-4
<input type="checkbox"/> <b>White Gloss Powdercoat</b>	8984-4-EG10
<input type="checkbox"/> <b>Black Matte Powdercoat</b>	8984-4-EG22

**OPTIONS** INIT. \_\_\_\_\_



**Liquid/Lotion Soap Dispenser** -DV



**APPROVAL FOR MANUFACTURE**

COMPANY: \_\_\_\_\_

PROJECT NAME: \_\_\_\_\_

SIGNEE'S NAME WRITTEN CLEARLY: \_\_\_\_\_

DATE: \_\_\_\_\_

AUTHORIZED SIGNATURE: \_\_\_\_\_

**WARNING:** Cancer and Reproductive Harm - [www.P65Warnings.ca.gov](http://www.P65Warnings.ca.gov)

**HWS Wash Fountain (Semi-Circular)**

**Product Specification...**

**Bowl and Sprayhead** are type 304 Satin Finish stainless steel. Bowl is 38" wide, and has an integral backsplash and sprayhead. Heavy-duty S-clips securely anchor the backsplash to the wall. Sprayhead is 15" diameter x 5-1/4" high.

**Contoured Housing** is fabricated of 16 gage, type 304 Satin Finish stainless steel. One piece housing and flush mounted access cover allow for easier installation and servicing of unit.



**ADA Compliance.** Units conform to ANSI, UFAS and ADA requirements for accessibility. Compliance is subject to the interpretation and requirements of the local code authority.

**Soap/Toiletary Tray** on top of sprayhead is standard. There are additional self-draining, air-circulating soap dishes on each side of the bowl.

**Sectional Control** is standard. One sensor actuates one station. Three -Station and Four-Station units are available.

**Electronic Sensor Operation** includes individual solenoid valves activated by infrared sensors. A low voltage transformer is provided.

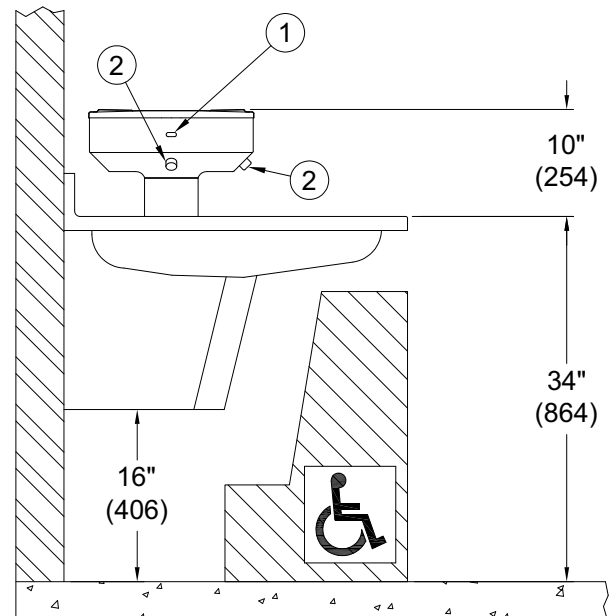
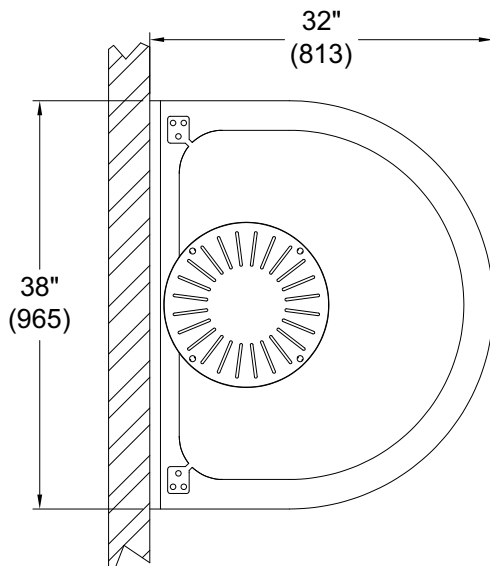
**Spray Nozzles** are vandal-resistant and provide a concentrated 0.5 GPM spray at each station.

**Hot & Cold Supplies** are blended in a thermostatic mixing valve furnished with checkstops, strainers and flexible supply connections. A minimum of 30 PSI supply pressure is required.

**Waste Connection** is a 1-1/2" OD x 4" tailpiece.

**-DV Pump Type Soap Dispenser** is available for liquid or lotion type soaps. Dispensers are below the sprayhead with a easily refillable concealed reservoir.

**-HTR Electric Instantaneous Water Heater** is available. The heater is place in the trap cover. (Additional specification are required)



**NOTES:**

1. Sensor Eye.

2. Spray Nozzle.

Neo-Metro assumes no responsibility for use of void or suspended data. All dimensions are nominal and subject to manufacturer change without notice.

**INSTALLATION INSTRUCTIONS ARE AVAILABLE**