
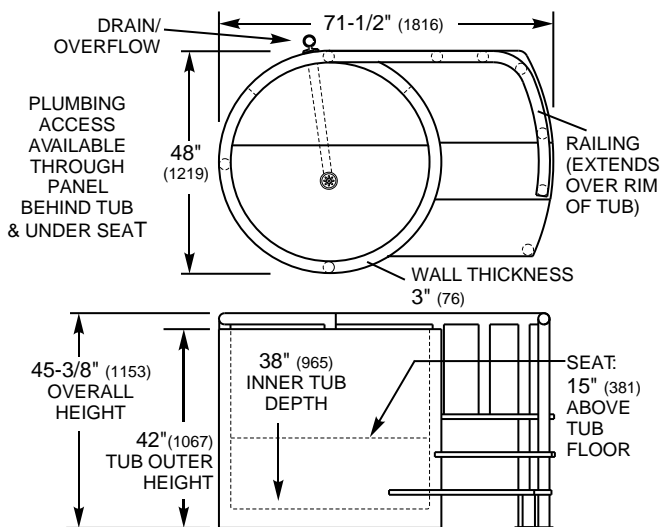


FEATURES

- **Large Cylindrical Soaking Style Tub**
- **Insulated Double-Wall, Heavy Gage Stainless Steel Construction**
- **Stainless Steel is a Recyclable Metal.** 
- **Built-in 15" (381mm) High Semi-Cylindrical Seat.**
- **Slip Resistant Staircase (Ships Detached)**
- **Railing Assists User in/out of Tub and Can be Used as Towel Rack**
- **Combination Drain/Overflow Assembly Located on Exterior of Tub**
- **Plumbing Access Beneath Seat**
- **Can be Manufactured to Accommodate Jetting.**
Includes System to Maintain Water Temperature.
- **Custom Sizes and Features can be Fabricated.**
Please Contact Neo-Metro with Custom Specs and Drawing for Quotation



ORDERING OPTIONS

- 8973 Satin Finish Stainless Steel SOHO BATH Soaking Tub
- JET Option - Tub to be configured with massage jet system with integral temperature maintenance capabilities

ELECTRICAL SPECIFICATIONS

Voltage: 120 VAC Freq.: 60 Hz Amps: 10 A

INSTALLATION INSTRUCTIONS ARE AVAILABLE.

Product Specification . . . Tub shall be manufactured with 14 gage, type 304 stainless steel. Construction shall be seamless welded and exposed surfaces shall be polished to a satin finish. The tub features a patented design* of double wall cylinder with a semi-circular seat 15" (381 mm) above the tub floor. Stair case and railing assists user in/out of tub. The staircase is shipped detached. Railing extends around the cylindrical rim of the tub and can be used as a towel rack. The tub shall have a skirt flush to the floor line concealing the internal plumbing. There is a maintenance access opening to the internal plumbing under the seat. A 2" (51 mm) combination drain and overflow assembly is provided. The tub can be configured with a massage jet system. The jet system will also maintain the warm water temperature. A push button switch on the rim of the jetted tub, turns off and on the jetting, with 3 speed settings. Jet system shall use UL compliant components.

Plumbing Specification . . . Drain in tank floor is positioned near center of tub. Water drains out to the 2" (51 mm) combination drain and overflow assembly positioned behind tub. There is a maintenance access to the internal plumbing behind the tub and under the seat.

* U.S. Design Patent 462113

Approved for Manufacturing

Company	Project Name	Authorized Signature	Name Written Clearly	Date

Neo-Metro assumes no responsibility for use of void or suspended data. All dimensions are nominal and subject to manufacturer change without notice. © 2005 NEO-METRO®, A Division of Acorn Engineering Company. Please visit www.neo-metro.com for most current specifications.

TOLL FREE 800-591-9050 • WEB SITE www.neo-metro.com

NEO-METRO® • P.O. Box 3527 • City of Industry, CA 91744 U.S.A. • Local Phone 626-855-4854 • Fax 626-937-4725

TS 8973
PAGE 1 OF 1
L1000764 (11/15/04)