

**METRO URBAN ADA Compliant Toilet**



**Model 8950-ADA-3**

ADA Compliant Satin Finish Stainless Steel Metro Urban Toilet

- ADA compliant Toilet with cistern tank works with standard residential water inlet & waste outlet
- Heavy 16-Gage Stainless Steel Construction
- Satin Finish (Entire Unit) is Standard  
Optional Mira high polish finish
- Elongated Toilet Bowl (Seat Sold Separately)
- Polyethylene Inner Tank
- Flush Valve Is Adjustable From 1.28 Gallons (4.8 Liters) To 1.6 Gallons (6 Liters) Per Flush
- Codes/Standards Applicable - ADA, UFAS



**FINISHES** - Required Selection

INIT.

**METRO URBAN TOILET - Residential**

- Satin Finish (standard) 8950-ADA-3
- Mira Finish High Polish 8950-ADA-3-HP
- White Gloss Powdercoat 8950-ADA-3-EG-10
- White Gloss Powdercoat 8950-ADA-3-EG-10-SFB  
Satin Finish Bowl
- White Gloss Powdercoat 8950-ADA-3-EG-10-HPB  
High Polish Finish Bowl
- Black Matte Powdercoat 8950-ADA-3-EG-22
- Black Matte Powdercoat 8950-ADA-3-EG-22-SFB  
Satin Finish Bowl
- Black Matte Powdercoat 8950-ADA-3-EG-22-HPB  
High Polish Finish Bowl
- Custom Powdercoat

**METRO URBAN TOILET - Commerical**

- Satin Finish (Elongated Bowl) 8950-ADA-3-PFS
- Mira Finish High Polish 8950-ADA-3-PFS-HP
- White Gloss Powdercoat 8950-ADA-3-PFS-EG-10
- White Gloss Powdercoat 8950-ADA-3-PFS-EG-10-SFB  
Satin Finish Bowl
- White Gloss Powdercoat 8950-ADA-3-PFS-EG-10-HPB  
High Polish Finish Bowl
- Black Matte Powdercoat 8950-ADA-3-PFS-EG-22
- Black Matte Powdercoat 8950-ADA-3-PFS-EG-22-SFB  
Satin Finish Bowl
- Black Matte Powdercoat 8950-ADA-3-PFS-EG-22-HPB  
High Polish Finish Bowl

**OPTIONS**

INIT.

- Must specify LH/RH flush lever
- Other ADA considerations may be required.  
Please check your local ADA regulations.



**APPROVAL FOR MANUFACTURE**



Member of  
U.S. Green  
Building  
Council



Recyclable  
Product

COMPANY: \_\_\_\_\_

PROJECT NAME: \_\_\_\_\_

SIGNEE'S NAME WRITTEN CLEARLY: \_\_\_\_\_ DATE: \_\_\_\_\_

AUTHORIZED SIGNATURE: \_\_\_\_\_

**⚠ WARNING:** Cancer and Reproductive Harm - [www.P65Warnings.ca.gov](http://www.P65Warnings.ca.gov)

**NEO-METRO**

Division of Acorn Engineering Company®, A member of Morris Group International™  
15125 Proctor Ave. • City of Industry, CA 91746 USA  
800.591.9050 • 626.855.4854 • FAX 626.937.4725

**METRO URBAN ADA Compliant Toilet**

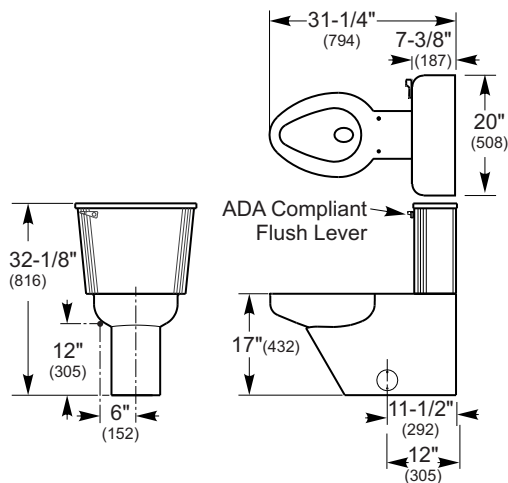
**Product Specifications...** The ADA Compliant Metro Urban Toilet features patented\* design which includes a metal cistern tank and bowl. The toilet shall be made of 16-gage type 304 Satin Finish stainless steel. Mira (High Polish) Stainless Steel is also available. The toilet bowl is elongated and is punched and threaded (1/4"-20 UNC) for Residential or punched for Commercial, for top mounting elongated toilet seat (seat not included). The bowl also has an ADA compliant, 17" (432 mm) rim height. Trapway can pass a 2-1/8" (54 mm) ball. Toilet tank has a polyethylene inner liner and flushes with a conventional Fluidmaster® float/flapper mechanism utilizing water consumption between 1.28 Gallons (4.8 Liters) to 1.6 gallons (6 liter) per flush.

*Although this toilet is ADA compliant, please check your local regulations as other ADA considerations may be required.*



**PLUMBING Specification . . .** Toilet uses standard residential water inlet and waste outlet. Fill valve inlet is 1/2" NPS. Wall inlet location is recommended at 6" (152 mm) from the center and 12" (305 mm) from finished floor. On-floor waste outlet to be located 12" (305 mm) from finished wall. Access via removable side panels.

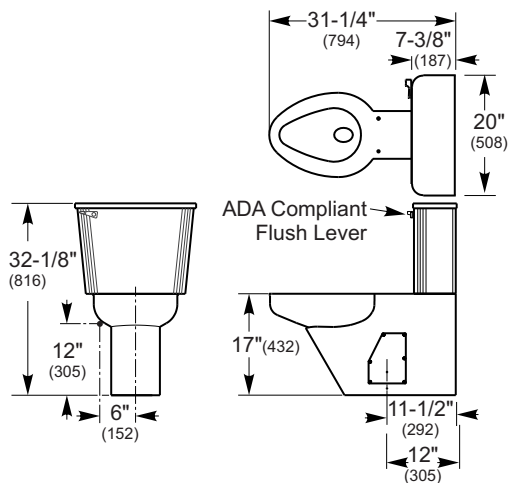
**Residential Toilet**



**Toilet seat application**

Punched and threaded for top mounted toilet seat. 1/4" -20 UNC x 1" screws provided. Seat sold separately.

**Commercial Toilet**



**Commercial Toilet seat application**

Punched for through bolt commercial, open front toilet seat. Seat sold separately.

Neo-Metro assumes no responsibility for use of void or suspended data. All dimensions are nominal and subject to manufacturer change without notice.

**INSTALLATION INSTRUCTIONS ARE AVAILABLE**