

Prizm Urinal Top Supply



Model 8946-T
Prizm Urinal
Top Supply, Off-Floor, Wall Waste

All urinals specified on this sheet are configured with a 1-1/2" NPT top spud inlet for a top supply flush valve (flush valve sold separately).

- **Angular Front Commercial WASHOUT Urinal Requiring Commercial Water Supply Line to Operate. Water Flow Pressure 35 psi (2.41 bars); Water Supply Line 1" (25 mm).**
- **TOP SUPPLY (Exposed) Flush Valve Configuration**
Compatible Flush Valve (Sold Separately) Releases 1.0 Gallons (3.8 Liters) per Flush. Wall Supply Flush Valve configurations are also available.
- **16-Gage STAINLESS STEEL CONSTRUCTION**
Satin Finish is Standard;
Also Available in Mira Finish (High Polish)
- **ADA Compliant**
Urinals are Compliant when Properly Installed 
- **ANSI, UFAS Compliant**

DESCRIPTION	MODEL/OPTION #
CONFIGURATION - Required Selection	INIT.

TOP SUPPLY COMMERCIAL PRIZM URINAL

Off-Floor, Wall Waste Configuration

- Satin Finish** (Standard) 8946-T
- Mira Finish** (High Polish) 8946-T-HP



ADA COMPLIANT

Properly mounted 8946-T urinals are ADA Compliant. ADA compliance is subject to the interpretation and requirements of local code authority. Please check your local ADA regulations.

Add (+)

FLUSH VALVE SELECTION	INIT.
Top Supply (Exposed) Flush Valves	

Top Supply (Exposed) Flush Valves
Requires commercial water supply to operate; Water flow pressure 35 psi (2.41 bars); Water supply line is 1" (25 mm) diameter; Flush valve releases 1.0 gallons (3.8 liters) per flush; flush valve sold separately from fixture.



Manual Flush FV1.0-T



Electronic Sensor FV1.0-T-SO
Valve requires 120 VAC, 60Hz
Plug-in Power Supply



Battery-Powered Electronic Sensor FV1.0-T-BSO
Valve requires 4 AA Batteries

Orders will not be processed until specification sheets are complete and signed. NO CANCELLATIONS.



APPROVAL FOR MANUFACTURE

COMPANY: _____

PROJECT NAME: _____

SIGNEE'S NAME WRITTEN CLEARLY: _____

DATE _____

AUTHORIZED SIGNATURE: _____



WARNING: Cancer and Reproductive Harm - www.P65Warnings.ca.gov

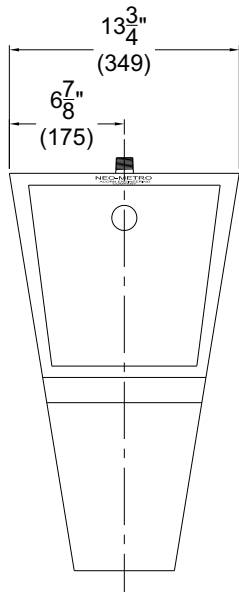
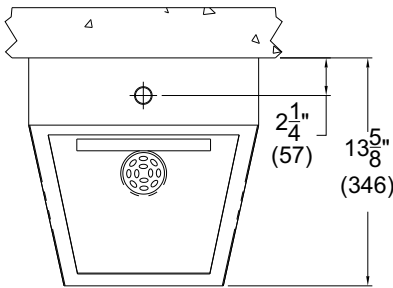
Prizm Urinal Top Supply

PRODUCT Specification . . . Prizm Urinal is an angular washout type urinal. Fixture is fabricated from 16-gage, Type 304 stainless steel. Satin Finish Stainless Steel is standard. The urinal is also available in Mira (high polish) Stainless Steel. Supplied with a 1-1/2" (38 mm) P-trap for waste outlet. Model 8946-T is configured for a Top Supply flush valve (sold separately). Urinals shall be wall mounted with a recommended rim height of 20" (508 mm) above finished floor. Urinals meet ASME/ANSI guidelines as outlined in A112.19.2.

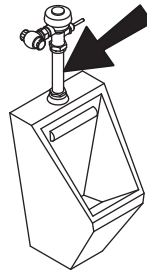
PLUMBING Specification . . . Wall mounted washout urinal utilizing a 1" (25mm) water inlet to flush valve. The urinal is supplied with a 1-1/2" (38) waste connection. Check applicable plumbing codes. Model 8946-T is configured with a top spud inlet for a Top Supply (exposed) flush valve. Flush valves are sold separately. Compatible flush valves release 1 gallon (3.8 liters) per flush.



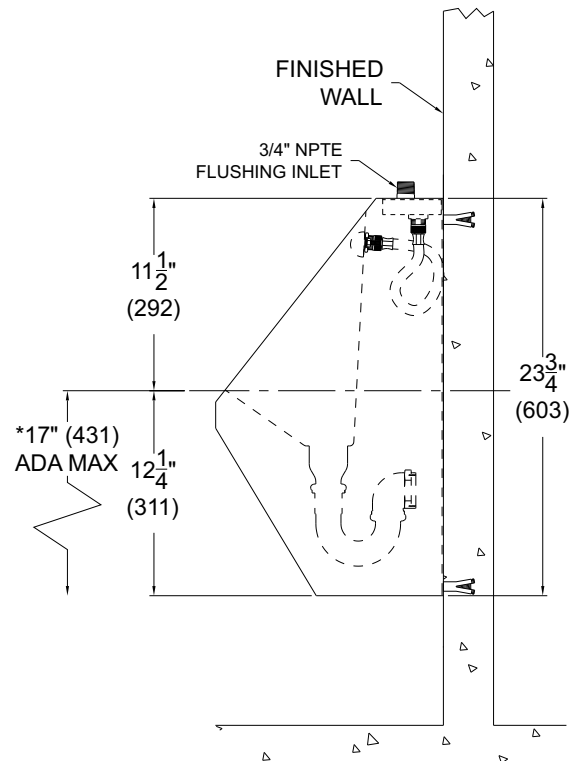
The urinal is ADA compliant if installed with a rim height of 17" (432 mm) and appropriate flush valve is used. Other ADA considerations may be required. Please check your local accessibility requirements.



**8946-T
TOP SUPPLY
PRIZM URINAL**



TOP SUPPLY -
Top Spud Inlet for
Top Supply (Exposed)
Commercial Flush Valve
(valve sold separately)



Neo-Metro assumes no responsibility for use of void or suspended data. All dimensions are nominal and subject to manufacturer change without notice.

INSTALLATION INSTRUCTIONS ARE AVAILABLE