

# Contour Urinal Wall Supply



**Model 8944-W-1**  
Contour HEU Urinal  
Wall Supply, Off-Floor, Wall Waste

All urinals specified on this sheet are configured with a 3/4" NPT back spud inlet for a wall supply (concealed) flush valve (flush valve sold separately).

- **Rounded Front Commercial HEU WASHOUT Urinal Requiring Commercial Water Supply Line to operate. Water Flow Pressure 35 psi (2.41 bars); Water Supply Line 1" (25 mm)**

- **WALL SUPPLY (Concealed) Flush Valve Configuration Compatible Flush Valve (Sold Separately) requiring a 1/8 GPF (0.47 Liters per Flush) to 1/2 GPF (1.8 Liters per Flush) flush valve.**

- **18-Gage STAINLESS STEEL CONSTRUCTION WITH 16-Gage BOWL Satin Finish is Standard; Also Available in Mira Finish (High Polish)**

- **ADA Compliant Urinals are Compliant when Properly Installed**



- **ANSI, UFAS Compliant**

**ADA COMPLIANT**

Properly mounted 8944-W urinals are ADA Compliant. ADA compliance is subject to the interpretation and requirements of local code authority. Please check your local ADA regulations



DESCRIPTION	MODEL/OPTION #
<b>CONFIGURATION</b> - Required Selection	INIT.

**WALL SUPPLY COMMERCIAL CONTOUR URINAL**

**Off-Floor, Wall Waste Configuration**

- Satin Finish** (Standard)  
8944-W
- Mira Finish** (High Polish)  
8944-W-HP
- White Gloss powder coat**  
8944-W-EG10
- Matte Black powder coat**  
8944-W-EG22

Add(+)

FLUSH VALVE SELECTION	INIT.
-----------------------	-------

**Wall Supply (Concealed) Flush Valves**

Requires a high efficiency type requiring a 1/8 GPF (0.47 Liters per Flush) to 1/2 GPF (1.8 Liters per Flush) flush valve. Urinal is supplied with 3/4" NPT flushing inlet connection and 1-1/2" OD plain end P-Trap.



- Manual Flush**
  - 1/2 GPF FV-W
  - 1/2 GPF FV-W-H

**Flush Valve By Others**

**CONSTRUCTION AND PLUMBING INFORMATION**

**Must Specify: Wall Thickness** \_\_\_\_\_

**Must Specify: Wall Type** \_\_\_\_\_  
(Eg. drywall with tile, concrete, etc)

Flush Valve Accessories on the next page


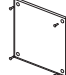


# Contour Urinal Wall Supply



**Model 8944-W-1**  
Contour Urinal  
Wall Supply, Off-Floor, Wall Waste

**Orders will not be processed until specification sheets are complete and signed. NO CANCELLATIONS.**

	DESCRIPTION	MODEL/OPTION #	
<b>Add (+)</b>	<b>FLUSH VALVE ACCESSORIES</b>		
		<small>INIT.</small>	
		<b>14" x 14" Flush Valve Access Panel</b>	
	<input type="checkbox"/>	<b>Satin</b> with Push Button Hole	4080-000-001
	<input type="checkbox"/>	<b>Mira (High Polish)</b> with Push Button Hole	4080-030-001
		<input type="checkbox"/>	<b>Satin</b> No Hole
	<input type="checkbox"/>	<b>Mira (High Polish)</b> No Hole	4080-036-001



**APPROVAL FOR MANUFACTURE**

COMPANY: \_\_\_\_\_

PROJECT NAME: \_\_\_\_\_

SIGNEE'S NAME WRITTEN CLEARLY: \_\_\_\_\_

DATE \_\_\_\_\_

AUTHORIZED SIGNATURE: \_\_\_\_\_




**WARNING:** Cancer and Reproductive Harm - [www.P65Warnings.ca.gov](http://www.P65Warnings.ca.gov)

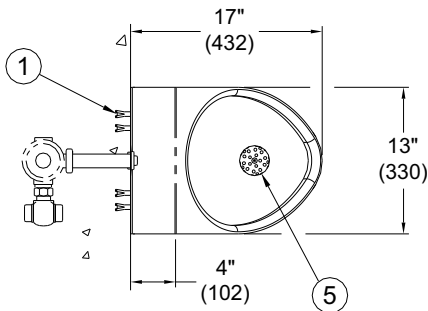
**NEO-METRO**  
15125 Proctor Ave. • City of Industry, CA 91746 USA  
TF 800.591.9050 • PH 626.855.4854 • FX 626.937.4725  
Neo-Metro is a Member of Morris Group International

# Contour Urinal Wall Supply

**PRODUCT Specification . . .** Contour Urinal is a washout type urinal. Fixture is fabricated from 18-gage housing and 16-gage Bowl, Type 304 stainless steel. Satin Finish stainless steel is standard. The urinal is also available in Mira Finish (High Polished) stainless steel. Fixture includes exposed spray nozzle and beehive dome strainer. Contoured surface makes for easy cleaning. Urinals shall be wall mounted with recommended rim height of 20" (508 mm) above finished floor. Urinals meet ASME/ANSI guidelines as outline in A112.19.2.

**PLUMBING Specification . . .** Wall mounted washout urinal utilizes a commercial supply line (1" or 25.4 mm) water inlet into flush valve and 3/4" NPT (19mm) water inlet into fixture and 2" (51 mm) in-wall waste line. The urinal is supplied with a stainless steel beehive dome strainer and 1-1/2" P-Trap assembly Check applicable plumbing codes. Model 8944-W-1 is configured with a back spud inlet for Wall Supply (Concealed) flush valve. Flush valve sold separately. Compatible flush valves release 1/8 gallon (0.47 Liters) to 1/2 gallon (1.89 Liters) per flush.

 The urinal is ADA compliant if installed with rim height of 17" (432 mm) and appropriate flush valve is used. ADA compliance is subject to the interpretation of requirement of the local code authority. Please check your local accessibility code requirements.

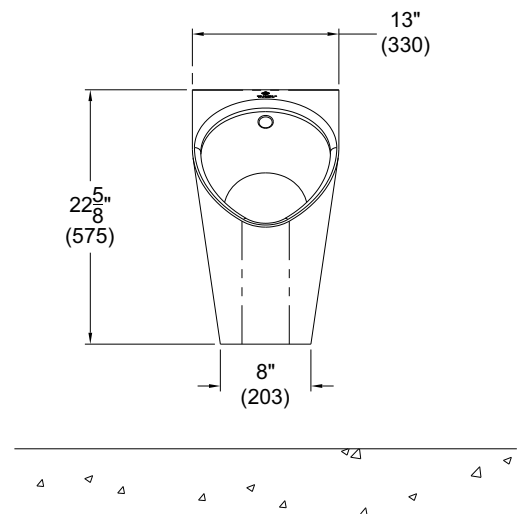
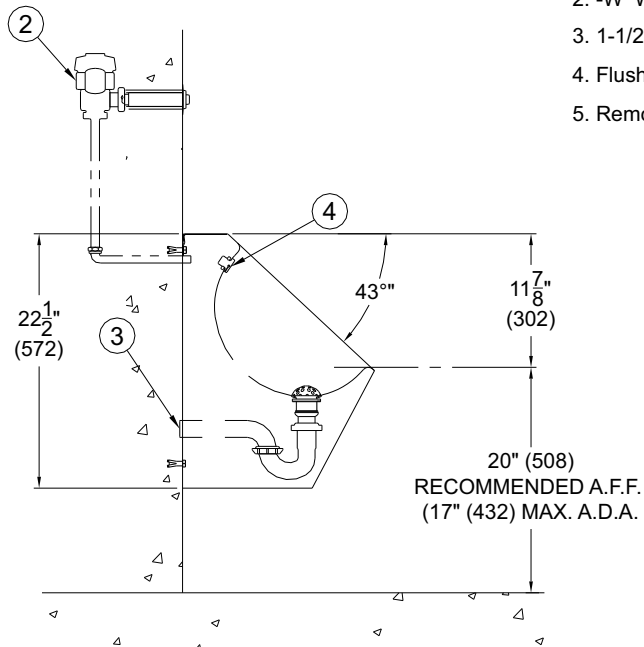


**\* ADA COMPLIANT**

Properly mounted 8944-W urinals are ADA Compliant. The rim of the urinal is recommended no more than 17" (432 mm) above finished floor. An ADA compliant flush valve must also be used.

ADA compliance is subject to the interpretation and requirements of local code authority. Please check your local accessibility regulations.

1. Wall Mounting Anchor (By Others)
2. -W Wall Supply -FV Flush Valve
3. 1-1/2" O.D. P-Trap Assembly
4. Flush Nozzle
5. Removable Strainer Assembly



Neo-Metro assumes no responsibility for use of void or suspended data. All dimensions are nominal and subject to manufacturer change without notice.

**INSTALLATION INSTRUCTIONS ARE AVAILABLE**