

Contour Urinal Top Supply



Model 8944-T-1
Contour HEU Urinal
Top Supply, Off-Floor, Wall Waste

All urinals specified on this sheet are configured with a 3/4" NPTE top spud inlet for a top supply flush valve (flush valve sold separately).

- **Rounded Front Commercial HEU WASHOUT Urinal Requiring Commercial Water Supply Line to operate. Water Flow Pressure 35 psi (2.41 bars); Water Supply Line 1" (25 mm)**

- **TOP SUPPLY (Exposed) Flush Valve Configuration Compatible Flush Valve (Sold Separately) requiring a 1/8 GPF (0.47 Liters per Flush) to 1/2 GPF (1.9 Liters per Flush) flush valve.**

- **18-Gage STAINLESS STEEL CONSTRUCTION WITH 16-Gage BOWL Satin Finish is Standard; Also Available in Mira Finish (High Polish)**

- **ADA Compliant Urinals are Compliant when Properly Installed**



- **ANSI, UFAS Compliant**

ADA COMPLIANT



Properly mounted 8944-T urinals are ADA Compliant. ADA compliance is subject to the interpretation and requirements of local code authority. Please check your local ADA regulations



DESCRIPTION **MODEL/OPTION #**

CONFIGURATION - Required Selection INIT.

TOP SUPPLY COMMERCIAL CONTOUR URINAL

Off-Floor, Wall Waste Configuration

- Satin Finish** (Standard)
8944-T-1
- Mira Finish** (High Polish)
8944-T-1-HP
- White Gloss powder coat**
8944-T-1-EG10
- Matte Black powder coat**
8944-T-1-EG22

Add(+)

FLUSH VALVE SELECTION INIT.

Top Supply (Exposed) Flush Valves

Requires a high efficiency type requiring a 1/8 GPF (0.47 Liters per flush) to 1/2 GPF (1.8 Liters per flush) flush valve. Urinal is supplied with 3/4" NPT flushing inlet connection and 1-1/2" OD plain end P-Trap.



- Manual Flush**
- 1/2 GPF FV-T



- Flush Valve By Others**

Orders will not be processed until specification sheets are complete and signed. NO CANCELLATIONS.



APPROVAL FOR MANUFACTURE

COMPANY: _____

PROJECT NAME: _____

SIGNEE'S NAME WRITTEN CLEARLY: _____


DATE _____

AUTHORIZED SIGNATURE: _____

WARNING: Cancer and Reproductive Harm - www.P65Warnings.ca.gov

Contour Urinal Top Supply

PRODUCT Specification... Contour Urinal is a washout type urinal. Fixture is fabricated from 18-gage housing and 16-gage Bowl, Type 304 stainless steel. Satin Finish stainless steel is standard. The urinal is also available in Mira Finish (High Polished) stainless steel. Fixture includes exposed spray nozzle and beehive dome strainer. Contoured surface makes for easy cleaning. Urinals shall be wall mounted with a recommended rim height of 20" (508 mm) above finished floor. Urinals meet ASME/ANSI guidelines as outlined in A112.19.2.

 The urinal is ADA compliant if installed with rim height of 17" (432 mm) and appropriate flush valve is used. ADA compliance is subject to the

interpretation and requirements of the local code authority. Please check your local accessibility code requirements.

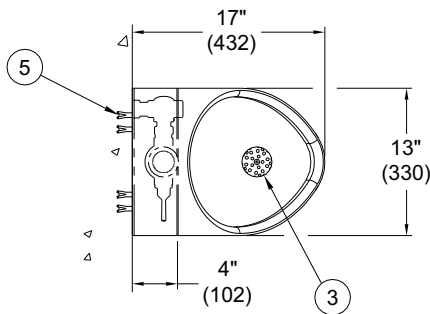
PLUMBING Specification... Wall mounted wash out urinal utilizes a commercial supply line water inlet (3/4 IPS or 19mm) into flush valve, 3/4" NPT water inlet into fixture and 2" in-wall waste line. The urinal is supplied with a stainless steel bee hive dome strainer and 1-1/2" P-Trap assembly. Check applicable plumbing codes. Model 8944-T is configured with a top spud inlet for a top supply (exposed) flush valve. Flush valves sold separately. Compatible flush valves release 1/8 gallon (0.47 Liters) to 1/2 (1.89 Liters) per flush.



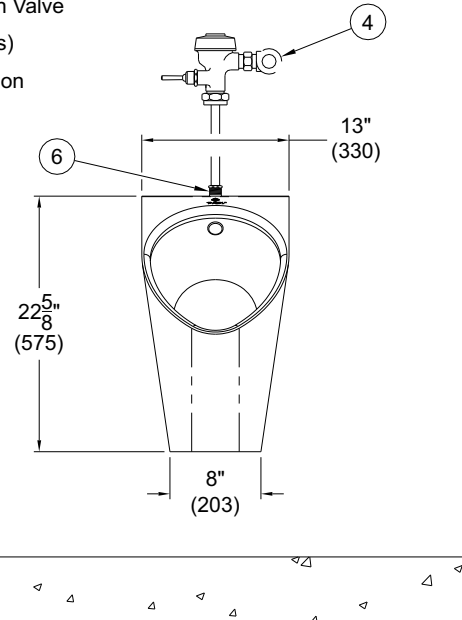
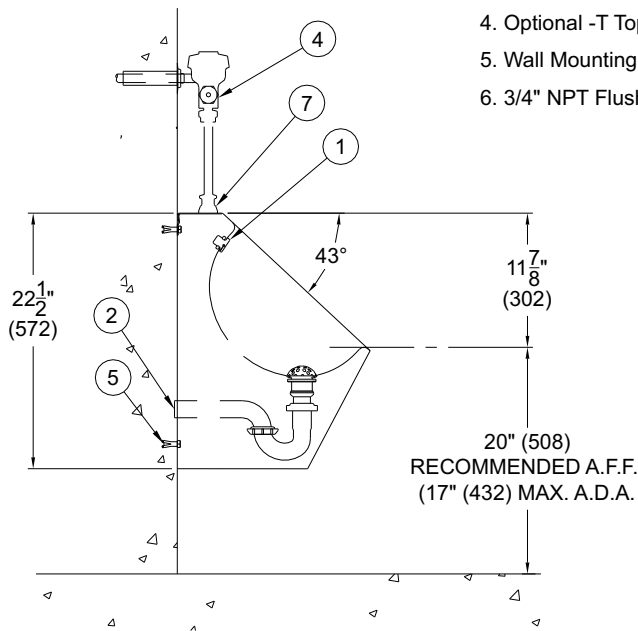
*** ADA COMPLIANT**

Properly mounted 8944-T-1 urinals are ADA Compliant. The rim of the urinal is recommended no more than 17" (432 mm) above finished floor. An ADA compliant flush valve must also be used.

ADA compliance is subject to the interpretation and requirements of local code authority. Please check your local ADA regulations.



1. Flush Nozzle
2. 1-1/2" O.D. P-Trap Assembly
3. Removable Strainer Assembly
4. Optional -T Top Supply -FV Flush Valve
5. Wall Mounting Anchor (By Others)
6. 3/4" NPT Flushing Inlet Connection



Neo-Metro assumes no responsibility for use of void or suspended data. All dimensions are nominal and subject to manufacturer change without notice.

INSTALLATION INSTRUCTIONS ARE AVAILABLE