

FEATURES

- **D-SHAPED WALL MOUNTED WASH BASIN**
- **Heavy 16-Gage Stainless Steel Construction**
- **Integral Bowl Design**
- **Satin Finish is Standard; Optional Mira High Polish Finish Stainless Steel Also Available.**
- **Stainless Steel is a Recyclable Metal.** ♻️
- **Enclosed Bottom Configuration Available.**
- **ADA Compliant** ♿
- **NOTE: Faucet not Included. Faucet Punching Must be Specified.**

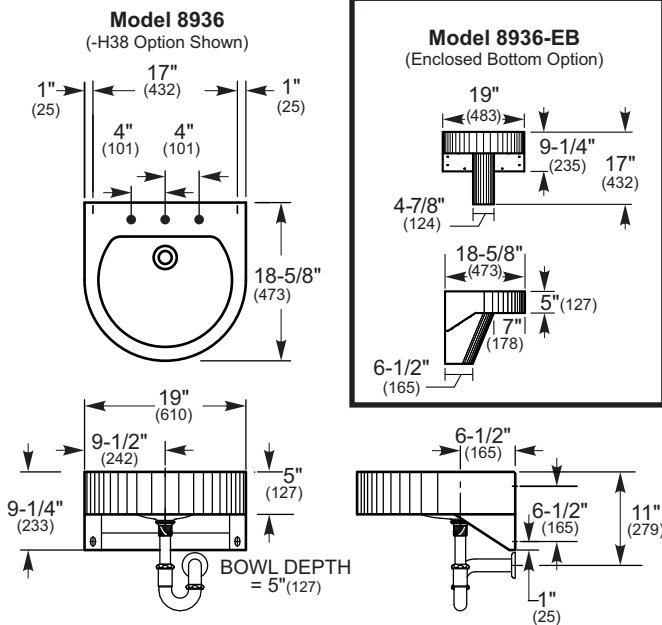
Model 8936
(With NO Side Shelves)



Model 8936-EB
(With Enclosed Bottom)



* U.S. Design Patent 455200



ORDERING OPTIONS

<input type="checkbox"/> 8936	NEO-BASIN (with NO Side Shelves) Satin Finish Stainless Steel
<input type="checkbox"/> 8936-HP	NEO-BASIN (with NO Side Shelves) Mira Finish Stainless Steel
<input type="checkbox"/> 8936-EB	NEO-BASIN with Enclosed Bottom Entire Unit is Satin Finish Stainless Steel
<input type="checkbox"/> 8936-HP-EB	NEO-BASIN with Enclosed Bottom Entire Unit is Mira Finish Stainless Steel
<input type="checkbox"/> -OF	Option - Overflow Outlet

All basins must be specified for faucet punching on deck.
Faucets not included. .

<input type="checkbox"/> - H1	<input type="checkbox"/> - H38	<input type="checkbox"/> - H0
Single Hole	8" (203mm) Center Set	Less Punching (Will use wall mounted faucet)

INSTALLATION INSTRUCTIONS ARE AVAILABLE.

Product Specifications . . . Neo-Basin shall be manufactured entirely out of 16-gage, Type 304 Satin Finish stainless steel, seam welded construction. A Mira (High Polish) Stainless Steel fixture is also available. The Neo-Basin features a patented* integral 'D' Bowl design. The basins shall have a 1-1/2" (38 mm) diameter drain opening for a standard drain fitting. A 1-1/2" (38 mm) P-trap is provided. A back cover is provided to conceal mounting supports. The basin is available with a bottom enclosure matching the finish of the ordered basin. This basin, in either configuration, complies with ADA requirements. Please check your local code as other ADA considerations may be necessary.

Plumbing Specification . . . All Neo-Basin are wall mounted. The deck can be factory punched with either single hole or 8" (203 mm) center set (customer must specify at time of ordering). Holes punched for faucets are 1-5/16" (33 mm) diameter. Faucet is not included. P-trap, drain and hardware kit included only for customers in the U.S.A. The basin can be manufactured with an overflow outlet.

APPROVAL FOR MANUFACTURE

COMPANY: _____

PROJECT NAME: _____

SIGNEE'S NAME WRITTEN CLEARLY: _____

DATE: _____

AUTHORIZED SIGNATURE: _____

⚠️ WARNING: Cancer and Reproductive Harm - www.P65Warnings.ca.gov