

UNDERMOUNT Basin - Swirl & Concentric



Swirl Finish

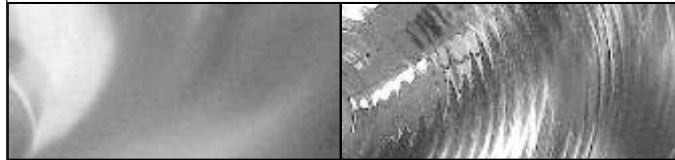


Concentric Finish

- **One-Piece Round Basin Designed Exclusively for Undermount Applications** *S-Clips Provided*
- **Stainless Steel Construction: 16-Gage**
- **Available in 11-1/2" (292 mm) or 16" (406 mm) Sizes**

NOTE: Faucet, Drain & P-Trap are not Included.

DESCRIPTION	MODEL/OPTION #
A ORIENTATION - Required Selection INIT. <input type="text"/>	
<input type="checkbox"/> 11-1/2" (292mm) Diameter Steel Undermount Basin- Satin Finish	3680-S
<input type="checkbox"/> 11-1/2" (292mm) Diameter Steel Undermount Basin- High Polish	3680-HP
<input type="checkbox"/> 11-1/2" (292mm) Diameter Steel Undermount Basin- Swirl	3680-SLF
<input type="checkbox"/> 11-1/2" (292mm) Diameter Steel Undermount Basin- Concentric Finish	3680-CCF
<input type="checkbox"/> 16" (406mm) Diameter Steel Undermount Basin- Satin Finish	3682-S
<input type="checkbox"/> 16" (406mm) Diameter Steel Undermount Basin- High Polish	3682-HP
<input type="checkbox"/> 16" (406mm) Diameter Steel Undermount Basin- Swirl	3682-SLF
<input type="checkbox"/> 16" (406mm) Diameter Steel Undermount Basin- Concentric Finish	3682-CCF



Swirl Finish

Concentric Finish

Add(+)	B PRODUCT OPTIONS	Optional Selection	INIT. <input type="text"/>
	<input type="checkbox"/>	Overflow Outlet	
<input type="checkbox"/>	Underside of Stainless Steel Basin Satin Finish		-USF
<input type="checkbox"/>	Underside of Stainless Steel Basin Mira Finish		-UHP

APPROVAL FOR MANUFACTURE

COMPANY: _____

PROJECT NAME: _____

SIGNEE'S NAME WRITTEN CLEARLY: _____

DATE: _____

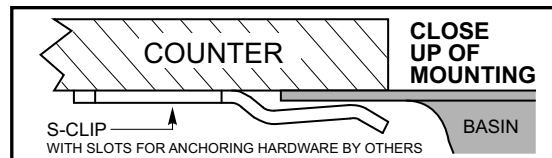
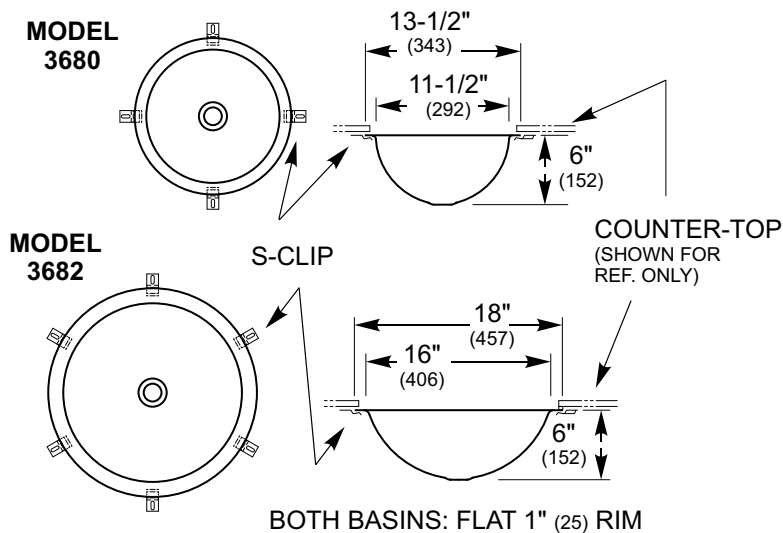
AUTHORIZED SIGNATURE: _____

⚠ WARNING: Cancer and Reproductive Harm - www.P65Warnings.ca.gov

UNDERMOUNT Basin - Swirl & Concentric

PRODUCT Specification . . . Each basin is manufactured in one piece from 16-gage metal. The basins are available in 11-1/2" (292 mm) or 16" (406 mm) diameter sizes. The basin is designed for undermount applications. The basin has a 1" (25 mm) flat rim which is clamped between the countertop and provided S-clips. Four clips are provided for the 11-1/2" basin and six clips are provided for the 16" basin. Mounting hardware is provided by others. Textured finishes are applied in the inner surfaces. Swirl is a fine grain finish on stainless steel, where inner surface highlights create swirl patterns. The Concentric is a terraced pattern on the inner stainless steel surface. The underside of the basin is typically unfinished. A Satin Finish (-USF) or a Mira High Polish (-UHP) can be optionally applied to the underside of a stainless steel basin.

PLUMBING Specification . . . Each basin is designed exclusively for undermount applications. Undermounting S-clips are provided but anchoring hardware is by others. Basin shall have a 1-1/2" (38 mm) diameter drain opening for standard drain fitting. Drain, P-trap and faucet are not included. The basin can be manufactured with an optional overflow waste outlet.



All dimensions are subject to manufacturer's tolerance of plus or minus 1/2" nominal and subject to change without notice. assumes no responsibility for use of void or superseded data. Neo-Metro, City of Industry, CA, Member of Morris Group International. Please visit www.acorneng.com for most current specifications.

INSTALLATION INSTRUCTIONS ARE AVAILABLE