

## SLAB Shower Base



Model Shown: CSB6030-TDS-L-NCD2  
60" x 30" Shower Base with Left Hand Trench Drain



Model Shown: CSB3636ADA-RDD-NCD2-C  
36" x 36" Shower ADA Base with Centered Round Drain and Waste Assembly

- GREENGUARD GOLD CERTIFIED FOR LOW EMISSIONS
- ADA COMPLIANT BASES AVAILABLE
- MEETS ASTM F 462-79 (R-2007) FOR SLIP RESISTANCE
- PHYSICAL PROPERTIES COMPLIES WITH:  
CSA B45.5/IAPMO Z124  
ANSI/ICPA SS-1
- CORTERRA® SOLID SURFACE COMPLIES WITH  
IAPMO IGC 156, CSA B45 SERIES, ASME A112.18.1/CSA B125.1V

**SteriTouch**® (Optional AMA)



Member of  
U.S. Green  
Building  
Council



Recyclable  
Product



**APPROVAL FOR MANUFACTURE**

COMPANY: \_\_\_\_\_

PROJECT NAME: \_\_\_\_\_

SIGNEE'S NAME PRINTED CLEARLY: \_\_\_\_\_

DATE: \_\_\_\_\_

AUTHORIZED SIGNATURE: \_\_\_\_\_

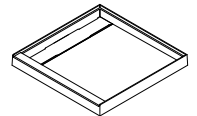
### MODEL/OPTION #

**A** TYPE and SIZE - Required Selection INIT. \_\_\_\_\_

- CSB3636
- CSB3636ADA
- CSB6030
- CSB6030ADA

**Add(+)** **B** DRAIN OPTIONS - Must Specify INIT. \_\_\_\_\_

- RDD Round Drain Opening
- TD Trench Drain (Must Specify Below If Selected)
  - TDS Trench Drain Cover Satin Finish
  - TDW Trench Drain Cover White Powder Coated
  - TDP Trench Drain Cover High Polished
  - TDC Trench Drain Custom Design (Contact Factory)



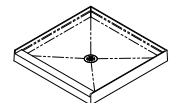
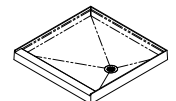
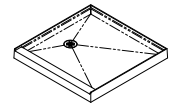
**Add(+)** **C** ACCESSORIES INIT. \_\_\_\_\_

- NCD2 2" No-Caulk Drain Assembly With Removable Strainer  
Optional Drain Fitting May Be Used With Either Round Drain Or Trench Drain Styles.



**Add(+)** **D** DRAIN LOCATION - Required Selection INIT. \_\_\_\_\_

- L Left Hand Side (From Entry)
- R Right Hand Side (From Entry)
- C Centered Drain (NOT AVAILABLE WITH TRENCH DRAINS)



**Add(+)** **E** SHOWER BASE COLOR - Required Selection INIT. \_\_\_\_\_

- Corterra® Solid Surface Color**
- Cloud White (Standard -RDC11M)
  - Optional Color: \_\_\_\_\_  
(Refer to <https://www.neo-metro.com/luxury-solid-surface> for available colors)
  - AMA SteriTouch® Anti-Microbial Additive

**WARNING:** Cancer and Reproductive Harm - [www.P65Warnings.ca.gov](http://www.P65Warnings.ca.gov)

**NEO-METRO® by ACORN®**

Acorn Engineering Company  
15125 Proctor Ave. • City of Industry, CA 91746 USA  
TF 800.488.8999 • PH 626.336.4561 • FX 626.961.2200

## SLAB Shower Base

### SLAB Shower Base

*Shower Base* combine attractive looks with a spacious, easy to maintain shower receptacle that features a non-slip, matte finish. SLAB Shower Base sizes and configurations provide flexibility to best suit the building requirements. Units are designed for versatility, durability and ease of installation. Custom sizes and colors are also available (contact Factory Representative).

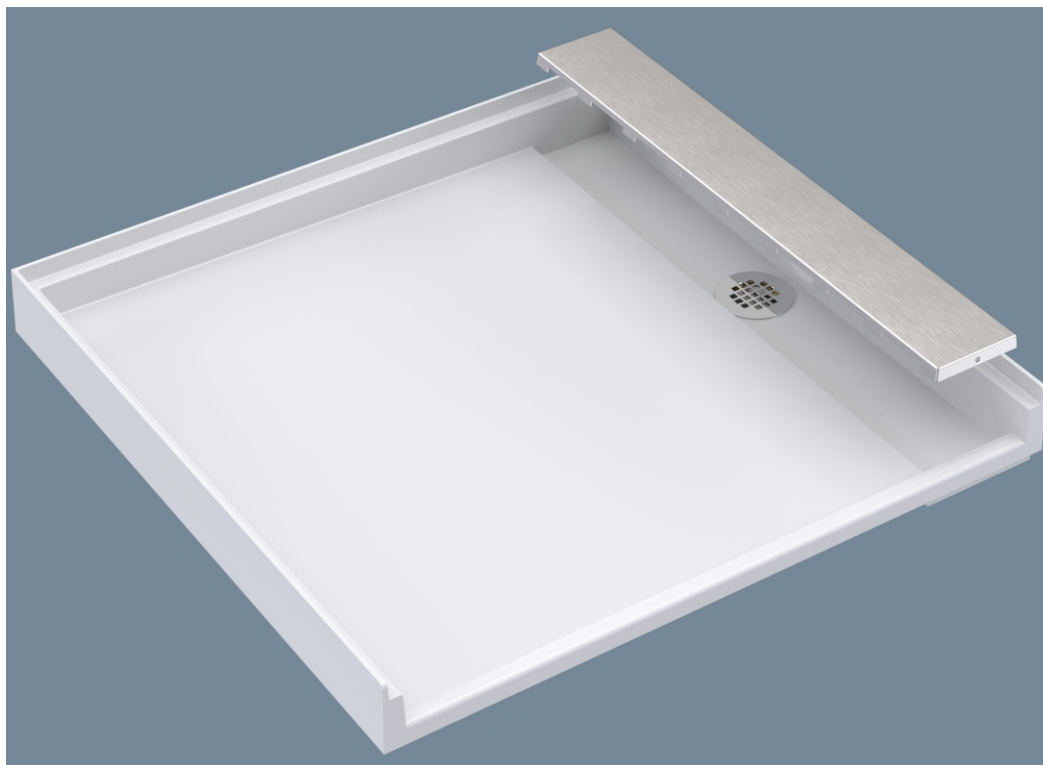
**Construction** is Corterra® cast solid surface and is Greenguard Gold listed, cUPC certified by IAPMO R&T and complies to ASTM F 462-79 (R-2007), "Standard Consumer Safety Specification for Slip-Resistant Bathing Facilities."

**The 3" wide Integral Threshold** provides ample water barrier and allows for installation of a Shower Door (provided by others). The three (non-threshold) sides are provided with Integral Tiling Flanges. ADA Compliant Shower Bases are offered for both Transfer and Roll-in shower stalls. ADA bases are provided with a lowered threshold height and must be recessed into the finished floor to facilitate ADA compliance. Base includes coved interior corners and is pitched to the Drain Outlet to ensure positive drainage.

**Standard Drain** opening for 2" No-Caulk Drain. Optional Trench Drain styles include a removable stainless steel Trench Style Cover. All units are cast to accept a standard 2" No-caulk Drain Connection (optionally available -NCD2). Optional Drain fitting may be used with either standard Drain or Trench Drain styles. Custom Trench Style Drain Cover is available upon request (contact Factory Representative).

### GUIDE SPECIFICATION

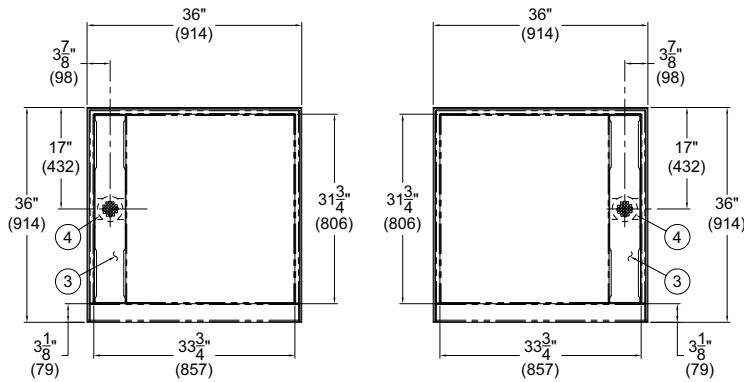
Provide and install SLAB Solid Surface Shower Base (Specify Model Number and Options). Shower Base shall be made of Corterra® Cast Solid Surface and be Greenguard Gold listed, cUPC certified and comply with ASTM F 462-79 (R-2007), "Standard Consumer Safety Specification for Slip-Resistant Bathing Facilities." The three (non-threshold) sides are to be provided with Integral Tiling Flanges. Base shall have coved corners and non-slip, matte finish floor, pitched to the Drain Outlet for positive drainage. No air holes or pits shall be allowed on the finished surface. Shower Floor is designed to accept a 2" No-Caulk Drain; accessory number -NCD2.



Model Shown: CSB3636ADA-TDS-R-NCD2  
36" x 36" ADA Shower Base with Right Hand Trench Drain

## SLAB Shower Base

### Shower Base Dimensional Information

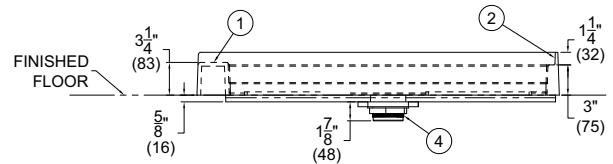


**CSB3636-TD-L**

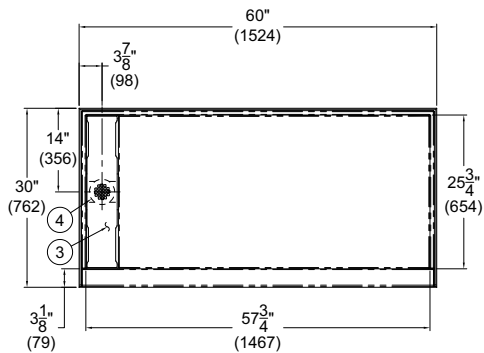
**CSB3636-TD-R**

**NOTES:**

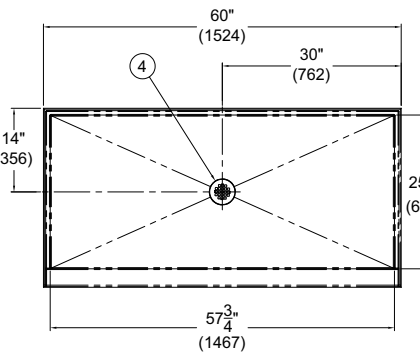
1. THRESHOLD
2. INTEGRAL TILING FLANGE
3. GRATE COVER
4. OPTIONAL - NCD2 - 2" NO-CAULK WASTE CONNECTION, SHOWN



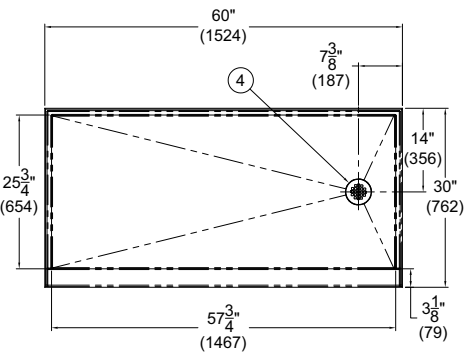
**SIDE VIEW OF TRENCH BASE  
DETAIL NOT TO SCALE**



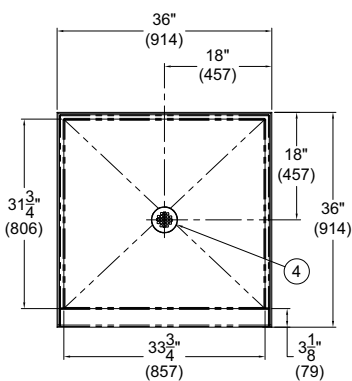
**CSB6030-TD-L  
(CSB6030-TD-R OPPOSITE)**



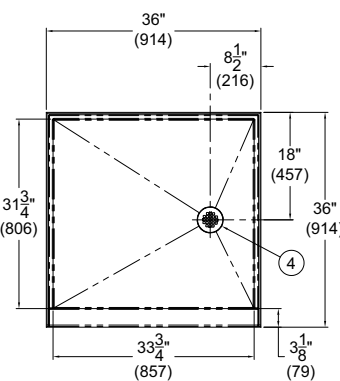
**CSB6030-C**



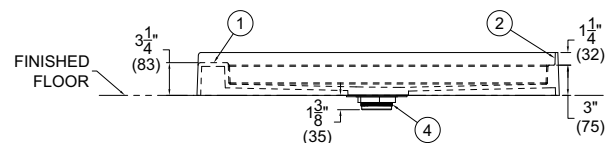
**CSB6030-R  
(CSB6030-L OPPOSITE)**



**CSB3636-C**



**CSB3636-R  
(CSB3636-L OPPOSITE)**



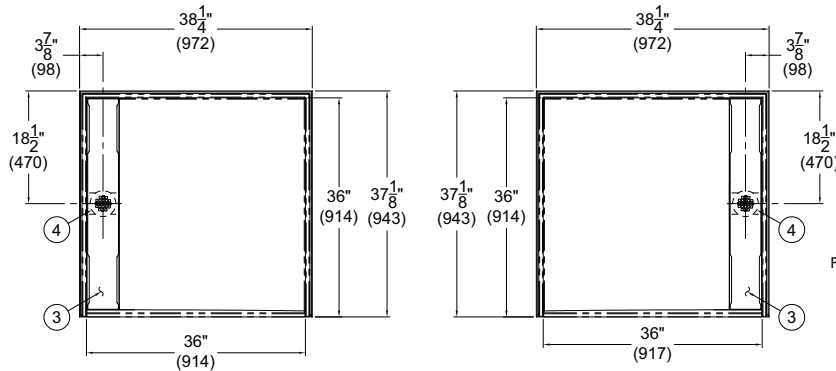
**SIDE VIEW OF STANDARD BASE  
DETAIL NOT TO SCALE**

All dimensions are subject to manufacturer's tolerance of plus or minus 1/2" nominal and subject to change without notice. Neo-Metro assumes no responsibility for use of void or superseded data. Neo-Metro, City of Industry, CA, Member of Morris Group International. Please visit [www.neo-metro.com](http://www.neo-metro.com) for most current specifications.

**INSTALLATION INSTRUCTIONS ARE AVAILABLE**

# SLAB Shower Base

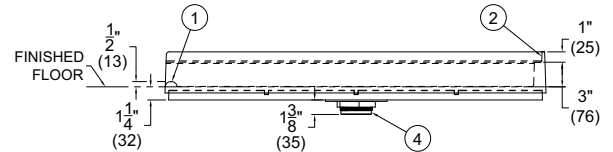
## ADA Shower Base Dimensional Information



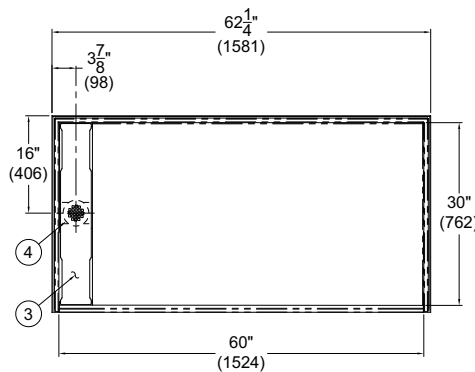
**CSB3636ADA-TD-L**

**CSB3636ADA-TD-R**

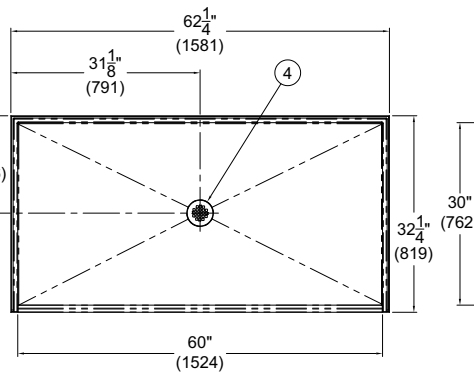
- NOTES:
1. THRESHOLD
  2. INTEGRAL TILING FLANGE
  3. GRATE COVER
  4. OPTIONAL -NCD2 - 2" NO-CAULK WASTE CONNECTION, SHOWN



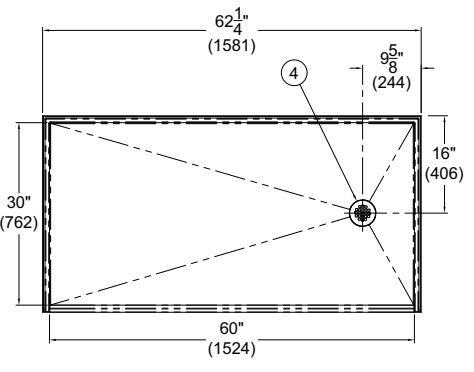
**SIDE VIEW OF ADA TRENCH BASE  
DETAIL NOT TO SCALE**



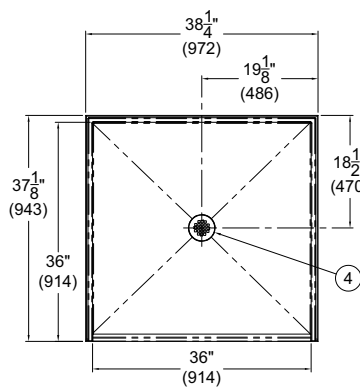
**CSB6030ADA-TD-L  
CSB6030ADA-TD-R OPPOSITE**



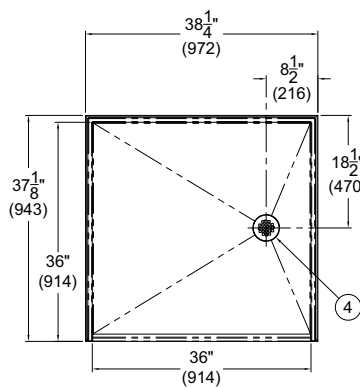
**CSB6030ADA-C**



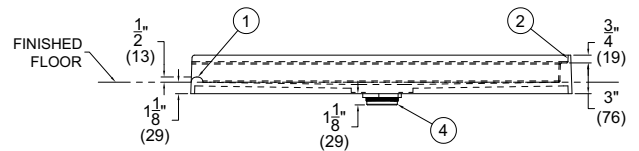
**CSB6030ADA-R  
(CSB6030ADA-L OPPOSITE)**



**CSB3636ADA-C**



**CSB3636ADA-R  
CSB3636ADA-L OPPOSITE**



**SIDE VIEW OF ADA BASE  
DETAIL NOT TO SCALE**

All dimensions are subject to manufacturer's tolerance of plus or minus 1/2" nominal and subject to change without notice. Neo-Metro assumes no responsibility for use of void or superseded data. Neo-Metro, City of Industry, CA, Member of Morris Group International. Please visit [www.neo-metro.com](http://www.neo-metro.com) for most current specifications.

**INSTALLATION INSTRUCTIONS ARE AVAILABLE**

**NEO-METRO® by ACORN®**

Acorn Engineering Company  
15125 Proctor Ave. • City of Industry, CA 91746 USA  
TF 800.488.8999 • PH 626.336.4561 • FX 626.961.2200