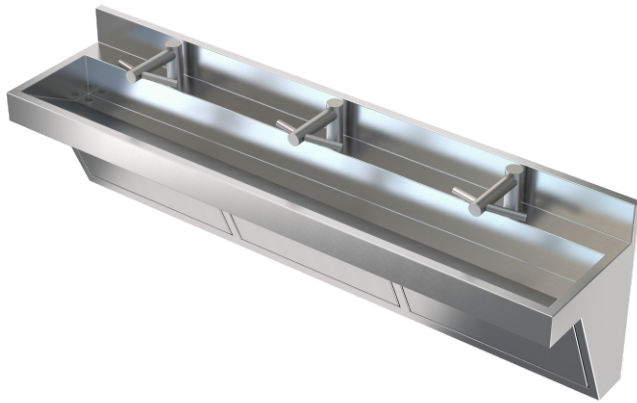



96" Hand Wash Sink



**U.S. DESIGN PATENT PENDING

Model Shown: 9173-WD04 (Single Station) Sink
96" Wide Stainless Steel All-in-One Hand Wash Sink

- WALL MOUNTED 96" WIDE STAINLESS STEEL HAND WASH SINK
- CAN BE USED WITH DYSON AIRBLADE WASH+DRY DECK MOUNTED FAUCET
- PROVIDED WITH A SINGLE OFFSET WASTE AND INCLUDES A REMOVABLE GRID STRAINER, CLOSE ELBOW AND P-TRAP
- ADA COMPLIANT (WHEN PROPERLY INSTALLED) 

DESCRIPTION **MODEL/OPTION #**

A ORIENTATION - Required Selection INIT.

- Wall Mounted Sink** (Standard Surface Mounting) 9173
- 

Add(+) **B FAUCET AND CONFIGURATION** - Required Selection INIT.

- Single Hole** - H1
ø1-3/8" Centered Hole
- 4" Centerset** - H34
ø1-3/8" Centerset Holes
- 8" Centerset** - H38
ø1-3/8" Centerset Holes
- WD04 Dyson Airblade Wash+Dry**
Deck Mounted Faucet (Recommend ASSE 1070 Valve)
- 

Customer is required to submit Faucet spec sheet to confirm compatibility with Neo-Metro's Faucet drilling. Important: WD06 Wall Mounted Dyson Airblade Wash+Dry is not compatible with fixture.

Add(+) **C PRODUCT OPTIONS** Optional Selection INIT.

- MXTP (ASSE 1070 Tempering Valve)** -ST70CP-12
- NOTE:** Recommend One (1) Mixing Valve Per Station. Valve Specs: 4.5 GPM (17 LPM) @ 45 PSI (310 kPa)
- Concealed Mounting Carrier** -MC
- 316 Stainless Steel** -316
In Lieu of Standard 304 STN STL



Member of
U.S. Green
Building
Council



Recyclable
Product



APPROVAL FOR MANUFACTURE

COMPANY: _____

PROJECT NAME: _____

SIGNEE'S NAME PRINTED CLEARLY: _____

DATE: _____


AUTHORIZED SIGNATURE: _____

⚠ WARNING: Cancer and Reproductive Harm - www.P65Warnings.ca.gov

96" Hand Wash Sink

Hand Wash Sink is designed for use in Healthcare and food-service institutions such as Pharmacies, Healthcare, Medical buildings and Hospitals providing a convenient Sink to wash up.

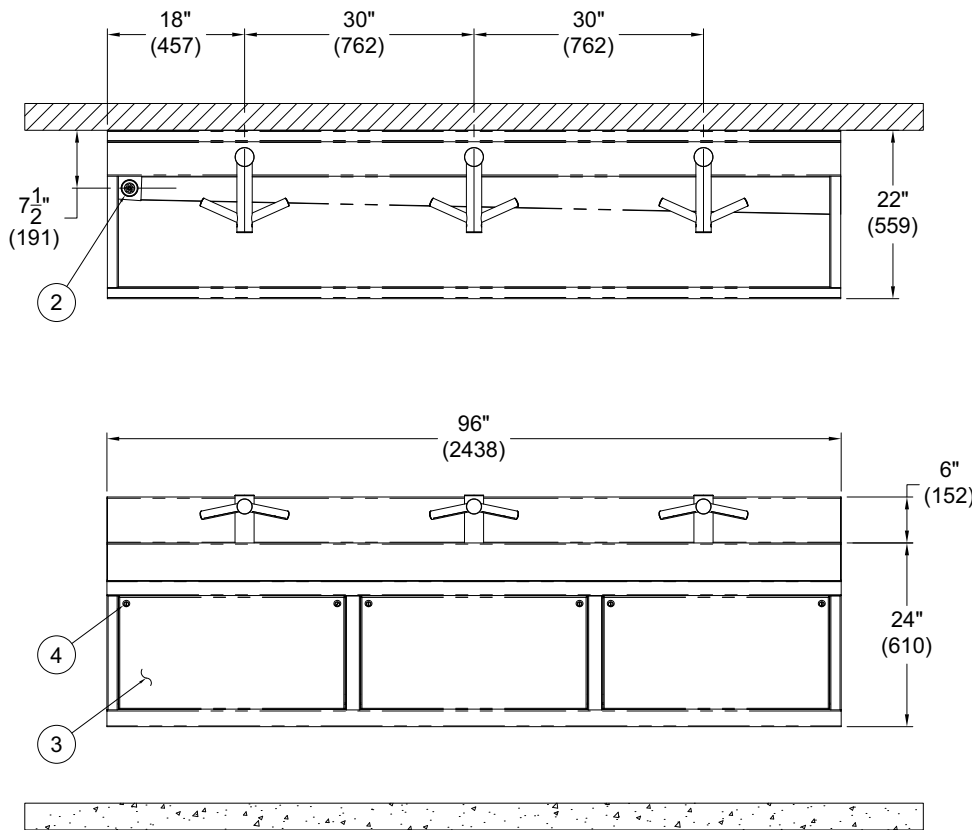
P-Trap Enclosure is included to conceal hot & cold Mixing Valve, Supply and Waste connections. Enclosure is fabricated of 18 gage, type 304 stainless steel with a satin finish and engineered to provide a profile that complies with ADA.

 **Hand Wash Sink** is fabricated from 16 gage, type 304 stainless steel and is seamless welded construction with a satin finish. The Cabinet interior is sound-deadened with a Fire-Resistant material. The unit is designed with the capability of being installed on the wall using a Mounting Carrier. Hand Wash Sink has a sloping bottom surface to minimize splashing, an 1-1/4" Tailpiece with a Grid Strainer and an 1-1/2" O.D. P-Trap.

Mounting Bracket is included and fabricated of 14 gage type 304 stainless steel with Anchoring Slots. Adequate wall backing is required for surface mounted fixture.

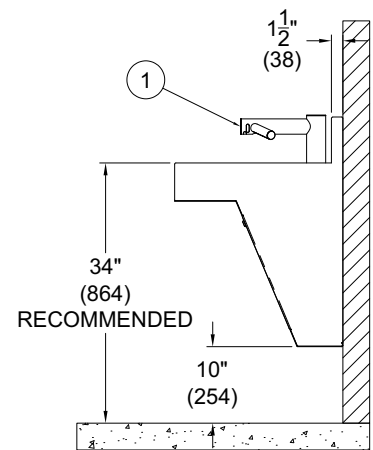
Optional Valve is available; ASSE 1070 compliant Valve delivers constant water flow by compensating for temperature and pressure fluctuations. Valve is factory set to 105° Fahrenheit and includes integral Checks and Strainer to prevent cross-flow and contamination. Maximum operating pressure 125 PSI.

Dyson Airblade Wash+Dry Faucet is optionally available. Also available (-H1) a 1-3/8" (35mm) hole can be drilled in a pre-configured single-hole, (-H34) 4" centerset holes and (-H38) 8" centerset holes Faucets by others. Neo-Metro requires customers to submit specification sheet of Faucet to confirm compatibility. Custom Faucet configurations may be specified by submitting a completed and signed Faucet Drilling Worksheet. Neo-Metro stainless steel commercial Faucets are available and sold separately.



NOTES:

1. WD04 DYSON AIRBLADE WASH+DRY (SHOWN FOR REFERENCE ONLY)
2. GRID STRAINER AND 1-1/4" TAILPIECE
3. HINGED ACCESS PANEL
4. CYLINDER LOCK



MODEL# 9173-WD04

Model Shown: 9173-WD04 (Single Station) Sink
96" Wide Stainless Steel All-in-One Hand Wash Sink

All dimensions are subject to manufacturer's tolerance of plus or minus 1/2" nominal and subject to change without notice. Neo-Metro assumes no responsibility for use of void or superseded data. Neo-Metro, City of Industry, CA, Member of Morris Group International. Please visit www.neo-metro.com for most current specifications.

When properly installed, the Fixture is ADA compliant.



INSTALLATION INSTRUCTIONS ARE AVAILABLE