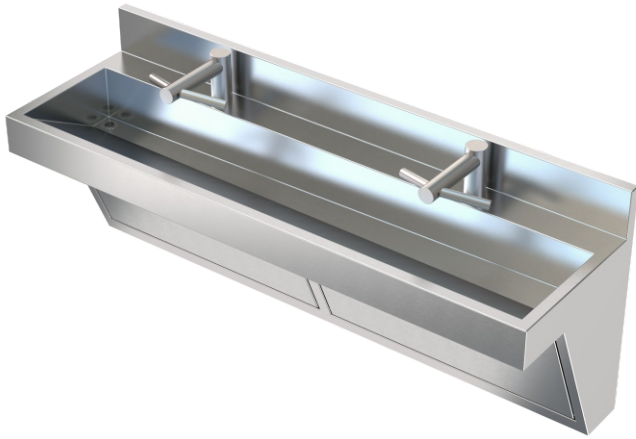



72" Hand Wash Sink

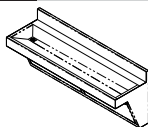


**U.S. DESIGN PATENT PENDING

Model Shown: 9172-WD04 (Single Station) Sink
72" Wide Stainless Steel All-in-One Hand Wash Sink

- WALL MOUNTED 72" WIDE STAINLESS STEEL HAND WASH SINK
- CAN BE USED WITH DYSON AIRBLADE WASH+DRY DECK MOUNTED FAUCET
- PROVIDED WITH A SINGLE OFFSET WASTE AND INCLUDES A REMOVABLE GRID STRAINER, CLOSE ELBOW AND P-TRAP
- ADA COMPLIANT (WHEN PROPERLY INSTALLED) 

DESCRIPTION **MODEL/OPTION #**

| A ORIENTATION - Required Selection | | INIT. |
|-----------------------------------------------------------------------------------|---------------------------------------------------------------------------------------------|-------|
|  | <input checked="" type="checkbox"/> Wall Mounted Sink (Standard Surface Mounting) | 9172 |

Add(+) **B FAUCET AND CONFIGURATION** - Required Selection INIT.

| | | |
|-----------------------------------------------------------------------------------|-----------------------------------------------------------------------------------------------------------------|-------|
|  | <input type="checkbox"/> Single Hole ø1-3/8" Centered Hole | - H1 |
|  | <input type="checkbox"/> 4" Centerset ø1-3/8" Centerset Holes | - H34 |
|  | <input type="checkbox"/> 8" Centerset ø1-3/8" Centerset Holes | - H38 |
|  | <input type="checkbox"/> WD04 Dyson Airblade Wash+Dry Deck Mounted Faucet (Recommend ASSE 1070 Valve) | |

Customer is required to submit Faucet spec sheet to confirm compatibility with Neo-Metro's Faucet drilling. Important: WD06 Wall Mounted Dyson Airblade Wash+Dry is not compatible with fixture.

Add(+) **C PRODUCT OPTIONS** Optional Selection INIT.

| | | |
|--------------------------|-----------------------------------------------------------------------------------------------------------|------------|
| <input type="checkbox"/> | MXTP (ASSE 1070 Tempering Valve) | -ST70CP-12 |
| | NOTE: Recommend One (1) Mixing Valve Per Station. Valve Specs: 4.5 GPM (17 LPM) @ 45 PSI (310 kPa) | |
| <input type="checkbox"/> | Concealed Mounting Carrier | -MC |
| <input type="checkbox"/> | 316 Stainless Steel In Lieu of Standard 304 STN STL | -316 |



Member of
U.S. Green
Building
Council



Recyclable
Product



APPROVAL FOR MANUFACTURE

COMPANY: _____

PROJECT NAME: _____

SIGNEE'S NAME PRINTED CLEARLY: _____

DATE: _____


AUTHORIZED SIGNATURE: _____

 **WARNING:** Cancer and Reproductive Harm - www.P65Warnings.ca.gov

72" Hand Wash Sink

Hand Wash Sink is designed for use in Healthcare and food-service institutions such as Pharmacies, Healthcare, Medical buildings and Hospitals providing a convenient Sink to wash up.

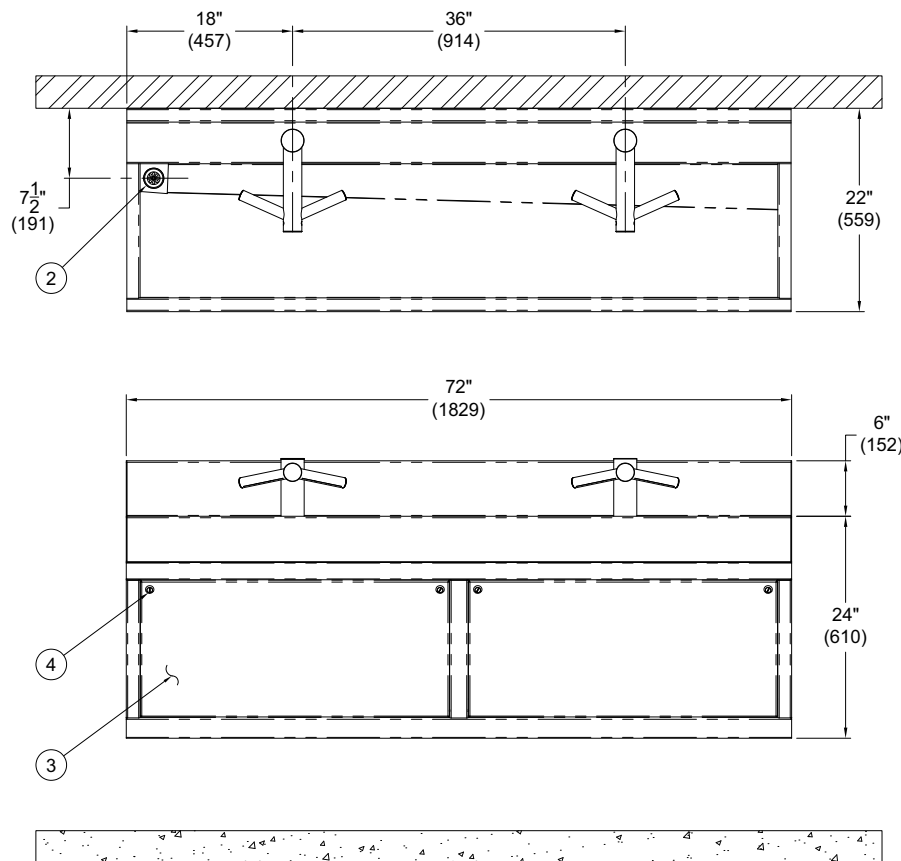
P-Trap Enclosure is included to conceal hot & cold Mixing Valve, Supply and Waste connections. Enclosure is fabricated of 18 gage, type 304 stainless steel with a satin finish and engineered to provide a profile that complies with ADA.

 **Hand Wash Sink** is fabricated from 16 gage, type 304 stainless steel and is seamless welded construction with a satin finish. The Cabinet interior is sound-deadened with a Fire-Resistant material. The unit is designed with the capability of being installed on the wall using a Mounting Carrier. Hand Wash Sink has a sloping bottom surface to minimize splashing, an 1-1/4" Tailpiece with a Grid Strainer and an 1-1/2" O.D. P-Trap.

Mounting Bracket is included and fabricated of 14 gage type 304 stainless steel with Anchoring Slots. Adequate wall backing is required for surface mounted fixture.

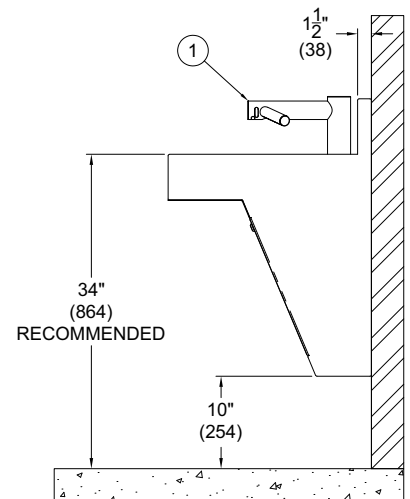
Optional Valve is available; ASSE 1070 compliant Valve delivers constant water flow by compensating for temperature and pressure fluctuations. Valve is factory set to 105° Fahrenheit and includes integral Checks and Strainer to prevent cross-flow and contamination. Maximum operating pressure 125 PSI.

Dyson Airblade Wash+Dry Faucet is optionally available. Also available (-H1) a 1-3/8" (35mm) hole can be drilled in a pre-configured single-hole, (-H34) 4" centerset holes and (-H38) 8" centerset holes Faucets by others. Neo-Metro requires customers to submit specification sheet of Faucet to confirm compatibility. Custom Faucet configurations may be specified by submitting a completed and signed Faucet Drilling Worksheet. Neo-Metro stainless steel commercial Faucets are available and sold separately.



NOTES:

1. WD04 DYSON AIRBLADE WASH+DRY (SHOWN FOR REFERENCE ONLY)
2. GRID STRAINER AND 1-1/4" TAILPIECE
3. HINGED ACCESS PANEL
4. CYLINDER LOCK



MODEL# 9172-WD04

Model Shown: 9172-WD04 (Single Station) Sink
72" Wide Stainless Steel All-in-One Hand Wash Sink

All dimensions are subject to manufacturer's tolerance of plus or minus 1/2" nominal and subject to change without notice. Neo-Metro assumes no responsibility for use of void or superseded data. Neo-Metro, City of Industry, CA, Member of Morris Group International. Please visit www.neo-metro.com for most current specifications.

When properly installed, the Fixture is ADA compliant.



INSTALLATION INSTRUCTIONS ARE AVAILABLE