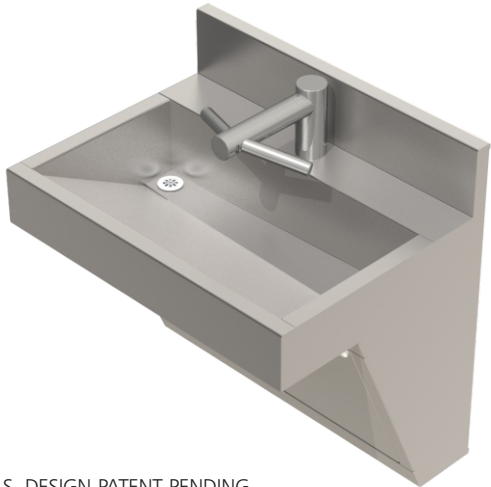



# 30" Hand Wash Sink



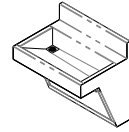
\*\*U.S. DESIGN PATENT PENDING

Model Shown: 9171-WD04 (Single Station) Sink  
30" Wide Stainless Steel All-in-One Hand Wash Sink

- WALL MOUNTED 30" WIDE STAINLESS STEEL HAND WASH SINK
- CAN BE USED WITH DYSON AIRBLADE WASH+DRY DECK MOUNTED FAUCET
- PROVIDED WITH AN OFFSET WASTE AND INCLUDES A REMOVABLE GRID STRAINER, CLOSE ELBOW AND P-TRAP
- ADA COMPLIANT (WHEN PROPERLY INSTALLED) 

**DESCRIPTION** **MODEL/OPTION #**

**A ORIENTATION** - Required Selection INIT.



- Wall Mounted Sink** (Standard Surface Mounting) 9171

**Add(+)** **B FAUCET AND CONFIGURATION** - Required Selection INIT.



- Single Hole** - H1  
ø1-3/8" Centered Hole



- 4" Centerset** - H34  
ø1-3/8" Centerset Holes



- 8" Centerset** - H38  
ø1-3/8" Centerset Holes



- WD04 Dyson Airblade Wash+Dry**  
Deck Mounted Faucet (Recommend ASSE 1070 Valve)

Customer is required to submit Faucet spec sheet to confirm compatibility with Neo-Metro's Faucet drilling. Important: WD06 Wall Mounted Dyson Airblade Wash+Dry is not compatible with fixture.

**Add(+)** **C PRODUCT OPTIONS** Optional Selection INIT.

- MXTP (ASSE 1070 Tempering Valve)** -ST70CP-12

**NOTE:** Recommend One (1) Mixing Valve Per Station. Valve Specs: 4.5 GPM (17 LPM) @ 45 PSI (310 kPa)

- Concealed Mounting Carrier** -MC

- 316 Stainless Steel** -316  
In Lieu of Standard 304 STN STL



Member of  
U.S. Green  
Building  
Council



Recyclable  
Product



## APPROVAL FOR MANUFACTURE

COMPANY: \_\_\_\_\_

PROJECT NAME: \_\_\_\_\_

SIGNEE'S NAME PRINTED CLEARLY: \_\_\_\_\_

DATE: \_\_\_\_\_


AUTHORIZED SIGNATURE: \_\_\_\_\_

**⚠ WARNING:** Cancer and Reproductive Harm - [www.P65Warnings.ca.gov](http://www.P65Warnings.ca.gov)

# 30" Hand Wash Sink

**Hand Wash Sink** is designed for use in Healthcare and food-service institutions such as Pharmacies, Healthcare, Medical buildings and Hospitals providing a convenient Sink to wash up.

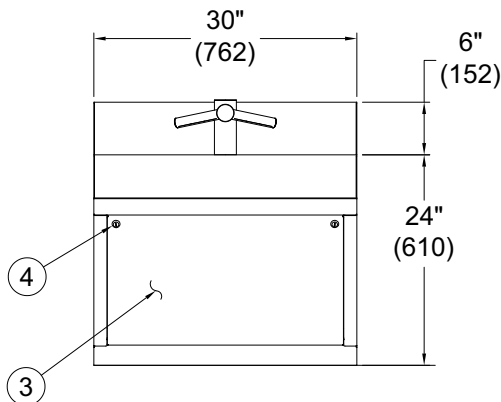
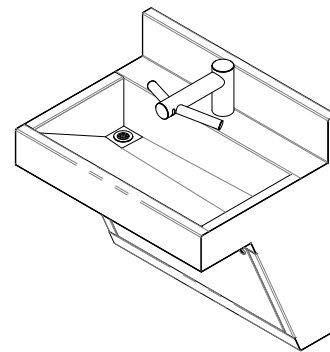
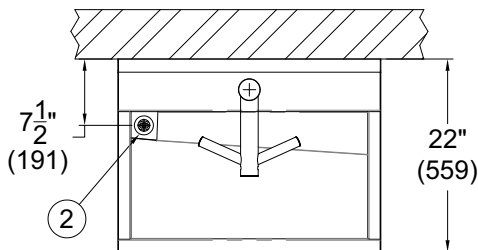
**P-Trap Enclosure** is included to conceal hot & cold Mixing Valve, Supply and Waste connections. Enclosure is fabricated of 18 gage, type 304 stainless steel with a satin finish and engineered to provide a profile that complies with ADA.

 **Hand Wash Sink** is fabricated from 16 gage, type 304 stainless steel and is seamless welded construction with a satin finish. The Cabinet interior is sound-deadened with a Fire-Resistant material. The unit is designed with the capability of being installed on the wall using a Mounting Carrier. Hand Wash Sink has a sloping bottom surface to minimize splashing, a Grid Strainer with an 1-1/4" Tailpiece and an 1-1/2" O.D. P-Trap.

**Mounting Bracket** is included and fabricated of 14 gage type 304 stainless steel with Anchoring Slots. Adequate wall backing is required for surface mounted fixture.

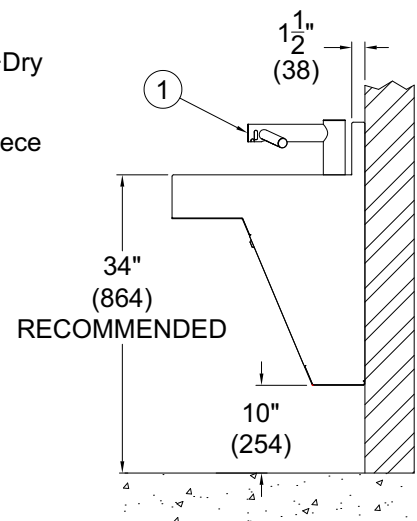
**Optional Valve** is available; ASSE 1070 compliant Valve delivers constant water flow by compensating for temperature and pressure fluctuations. Valve is factory set to 105° Fahrenheit and includes integral Checks and Strainer to prevent cross-flow and contamination. Maximum operating pressure 125 PSI.

**Dyson Airblade Wash+Dry Faucet is optionally available.** Also available (-H1) a 1-3/8" (35mm) hole can be drilled in a pre-configured single-hole, (-H34) 4" centerset holes and (-H38) 8" centerset holes Faucets by others. Neo-Metro requires customers to submit specification sheet of Faucet to confirm compatibility. Custom Faucet configurations may be specified by submitting a completed and signed Faucet Drilling Worksheet. Neo-Metro stainless steel commercial Faucets are available and sold separately.



**NOTES:**

1. WD04 Dyson Airblade Wash+Dry (Shown for reference only)
2. Grid Strainer and 1-1/4" Tailpiece
3. Hinged Access Panel
4. Cylinder Lock



**MODEL# 9171-WD04**

**Model Shown: 9171-WD04 (Single Station) Sink**  
30" Wide Stainless Steel All-in-One Hand Wash Sink

All dimensions are subject to manufacturer's tolerance of plus or minus 1/2" nominal and subject to change without notice. Neo-Metro assumes no responsibility for use of void or superseded data. Neo-Metro, City of Industry, CA, Member of Morris Group International. Please visit [www.neo-metro.com](http://www.neo-metro.com) for most current specifications.

When properly installed, the Fixture is ADA compliant.



**INSTALLATION INSTRUCTIONS ARE AVAILABLE**