


# Wedge™ 30" Solid Surface Basin



Patented D841785

Model Shown: 9161-WD04 (Single Station) Basin  
30" Wide Solid Surface Wedge Basin

- WALL MOUNTED 30" LENGTH SOLID SURFACE BASIN
- CAN BE USED WITH DYSON AIRBLADE WASH+DRY FAUCETS
- ADA COMPLIANT (WHEN PROPERLY INSTALLED) 
- CSA COMPLIANT (CANADIAN STANDARDS ASSOCIATION)
- MATERIAL OF CONSTRUCTION IS FLAME SPREAD AND SMOKE DEVELOPED RATED "CLASS A" PER THE FOLLOWING STANDARDS:  
ASTM E84-10  
UL723  
ANSI/NFPA No. 255  
UBC No. 8-1
- MATERIAL ALSO COMPLIES WITH CANADIAN REQUIREMENTS CAN/ULC-S102 FOR FLAME SPREAD AND SMOKE DEVELOPED.
- MATERIAL OF CONSTRUCTIONS PHYSICAL PROPRIETIES IN COMPLIANCE WITH:  
CSA B45.5/IAPMO Z124  
ANSI/ICPA SS-1
- CORTERRA® SOLID SURFACE POLYMER FIXTURE COMPLIES WITH IAPMO IGC 156, CSA B45 SERIES, ASME A112.18.1/CSA B125.1V



Member of  
U.S. Green  
Building  
Council



Recyclable  
Product



## APPROVAL FOR MANUFACTURE

COMPANY: \_\_\_\_\_

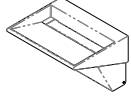
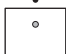
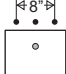
PROJECT NAME: \_\_\_\_\_

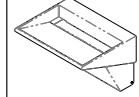
SIGNEE'S NAME PRINTED CLEARLY: \_\_\_\_\_

DATE: \_\_\_\_\_

AUTHORIZED SIGNATURE: \_\_\_\_\_

**⚠ WARNING:** Cancer and Reproductive Harm - [www.P65Warnings.ca.gov](http://www.P65Warnings.ca.gov)

DESCRIPTION	MODEL/OPTION #
<b>A ORIENTATION</b> - Required Selection	INIT. _____
 <input checked="" type="checkbox"/> <b>Wall Mounted Basin</b> (Standard Mounting)	9161
<b>Add (+)</b> <b>B BASIN COLOR SELECTION</b> - Required Selection	INIT. _____
<b>Corterra® Solid Surface Color</b> Color: _____ (Refer to <a href="https://www.neo-metro.com/luxury-solid-surface">https://www.neo-metro.com/luxury-solid-surface</a> for available colors)	
<b>Add (+)</b> <b>C FAUCET AND CONFIGURATION</b> - Required Selection	INIT. _____
 <input type="checkbox"/> <b>No Faucet Hole</b> For wall mounted faucet	- H0
 <input type="checkbox"/> <b>Single Hole</b> ø1-3/8" Centered Hole	- H1
 <input type="checkbox"/> <b>8" Centerset</b> ø1-3/8" Centerset Holes	- H38
 <input type="checkbox"/> <b>WD04 Dyson Airblade Wash+Dry</b> Deck Mounted Faucet (Recommend ASSE 1070 Valve)	
 <input type="checkbox"/> <b>WD06 Dyson Airblade Wash+Dry</b> Wall Mounted Faucet (Recommend ASSE 1070 Valve)	
Customer is required to submit Faucet spec sheet to confirm compatibility with Neo-Metro's Faucet drilling.	
<b>Add (+)</b> <b>D PRODUCT OPTIONS</b> Optional Selection	INIT. _____
<input type="checkbox"/> <b>MXTP (ASSE 1070 Tempering Valve)</b>	-ST70CP-12
<b>NOTE:</b> Recommend One (1) Mixing Valve Per Station. Valve Specs: 4.5 GPM (17 LPM) @ 45 PSI (310 kPa)	
<input type="checkbox"/> <b>P-Trap Waste (Must Specify Type)</b>	-PT
<input type="checkbox"/> Plastic P-Trap <input type="checkbox"/> Brass P-Trap	
<input type="checkbox"/> <b>Integral Overflow</b>	-OF
<b>Add (+)</b> <b>E P-TRAP COVER ENVIRO-GLAZE COLOR</b>	INIT. _____
Satin Finish Standard- Optional Selection	
<b>Corterra® Solid Surface Color</b> Color: _____ (Refer to <a href="https://www.neo-metro.com/luxury-solid-surface">https://www.neo-metro.com/luxury-solid-surface</a> for available colors)	



**Wall Mounted Basin**  
(Standard Mounting)

9161

**Add (+)** **B BASIN COLOR SELECTION** - Required Selection

**Corterra® Solid Surface Color**  
Color: \_\_\_\_\_  
(Refer to <https://www.neo-metro.com/luxury-solid-surface> for available colors)

**Add (+)** **C FAUCET AND CONFIGURATION** - Required Selection

- No Faucet Hole**  
For wall mounted faucet - H0
- Single Hole**  
ø1-3/8" Centered Hole - H1
- 8" Centerset**  
ø1-3/8" Centerset Holes - H38
- WD04 Dyson Airblade Wash+Dry**  
Deck Mounted Faucet (Recommend ASSE 1070 Valve)
- WD06 Dyson Airblade Wash+Dry**  
Wall Mounted Faucet (Recommend ASSE 1070 Valve)

Customer is required to submit Faucet spec sheet to confirm compatibility with Neo-Metro's Faucet drilling.

**Add (+)** **D PRODUCT OPTIONS** Optional Selection

- MXTP (ASSE 1070 Tempering Valve)** -ST70CP-12
- NOTE:** Recommend One (1) Mixing Valve Per Station. Valve Specs: 4.5 GPM (17 LPM) @ 45 PSI (310 kPa)
- P-Trap Waste (Must Specify Type)** -PT
- Plastic P-Trap  Brass P-Trap
- Integral Overflow** -OF

**Add (+)** **E P-TRAP COVER ENVIRO-GLAZE COLOR**

Satin Finish Standard- Optional Selection  
**Corterra® Solid Surface Color**  
Color: \_\_\_\_\_  
(Refer to <https://www.neo-metro.com/luxury-solid-surface> for available colors)

# Wedge™ 30" Solid Surface Basin

**Integral Basin** is intended to be mounted to accommodate ADA. Basin is constructed of Corterra® solid surface polymer resin and combines the look of granite and the feel of commercial-grade designer Basins. Adequate wall backing is required to support this wall mount, off-floor Basin fixture. When mounted 33" at finished floor, fixture will comply with OBC requirements. When mounted 34" at finished floor, fixture will comply with ANSI, UFAS and ADA requirements. Alternatively, the fixture may be mounted at the height to comply with ADA requirements for children. Compliance is subject to the interpretation and requirements of the local code authority.

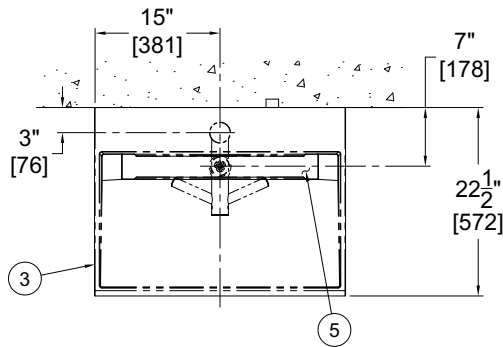
**P-Trap Enclosure** is included to conceal hot & cold Mixing Valve, supply and waste connections. Enclosure is fabricated of 18 gage, type 304 stainless steel with a satin finish and engineered to provide a profile that complies with both ADA & OBC.

 **Wedge Basin** is constructed of Corterra® solid surface polymer resin. Fixture includes Grid Strainer.

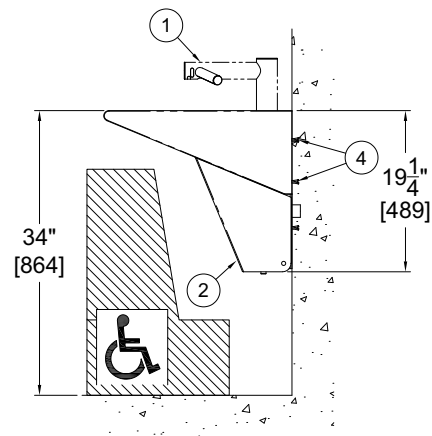
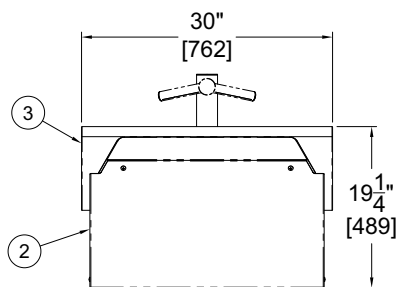
**Mounting Bracket** is included and fabricated of 11 gage stainless steel with rear Anchoring Slots. Adequate wall backing is required.

**Optional Valve** is available; ASSE 1070 compliant Valve delivers constant water flow by compensating for temperature and pressure fluctuations. Valve is factory set to 105° Fahrenheit and includes integral Checks and Strainer to prevent cross-flow and contamination. Maximum operating pressure 125 PSI.

**Dyson Airblade Wash+Dry Faucet is optionally available.** Also available (-H1) a 1-3/8" (34.9mm) hole can be drilled in a pre-configured single-hole, 8" centerset holes and (-H0) a no hole option for wall mounted Faucets by others. Neo-Metro requires customers to submit specification sheet of Faucet to confirm compatibility. Custom Faucet configurations may be specified by submitting a completed and signed Faucet Drilling Worksheet. Neo-Metro stainless steel commercial Faucets are available and sold separately.



- ① OPTIONAL WD04 DYSON AIRBLADE™ WASH+DRY DECK MOUNTED FAUCET SHOWN
- ② P-TRAP & PIPING HINGED ENCLOSURE
- ③ CORTERRA SOLID SURFACE WEDGE BASIN
- ④ MOUNTING HARDWARE, BY OTHERS
- ⑤ REMOVABLE GRATE COVER



Model Shown: 9161 (Single Station) Basin  
30" Wide Solid Surface Wedge Basin

All dimensions are subject to manufacturer's tolerance of plus or minus 1/2" nominal and subject to change without notice. Neo-Metro assumes no responsibility for use of void or superseded data. Neo-Metro, City of Industry, CA, Member of Morris Group International. Please visit [www.neo-metro.com](http://www.neo-metro.com) for most current specifications.

When properly installed,  
the Basin is ADA compliant.



**INSTALLATION INSTRUCTIONS ARE AVAILABLE**