


Slab-Edge® 30" Solid Surface Basin



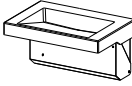
**U.S. DESIGN PATENT PENDING

Model Shown: 9151
30" Wide Solid Surface Deck with Integrated Basin

- WALL MOUNTED 30" LENGTH SOLID SURFACE DECK WITH INTEGRATED BASIN
- CAN BE USED WITH DYSON AIRBLADE™ FAUCETS
- ADA COMPLIANT  (WHEN PROPERLY INSTALLED)
- OBC COMPLIANT (WHEN PROPERLY INSTALLED) (ONTARIO BUILDING CODE - CANADA)
- CSA COMPLIANT (CANADIAN STANDARDS ASSOCIATION)
- MATERIAL OF CONSTRUCTION IS FLAME SPREAD AND SMOKE DEVELOPED RATED "CLASS A" PER THE FOLLOWING STANDARDS:
 - ASTM E84-10
 - UL723
 - ANSI/NFPA No. 255
 - UBC No. 8-1
- MATERIAL ALSO COMPLIES WITH CANADIAN REQUIREMENTS CAN/ULC-S102 FOR FLAME SPREAD AND SMOKE DEVELOPED.
- MATERIAL OF CONSTRUCTIONS PHYSICAL PROPRIETIES IN COMPLIANCE WITH:
 - CSA B45.5/IAPMO Z124
 - ANSI/ICPA SS-1
- CORTERRA® SOLID SURFACE POLYMER FIXTURE COMPLIES WITH IAPMO IGC 156, CSA B45 SERIES, ASME A112.18.1/CSA B125.1V

DESCRIPTION **MODEL/OPTION #**

A ORIENTATION - Required Selection INIT.

 **Wall Mounted Deck** (Standard Mounting) 9151

CONSTRUCTION INFORMATION *Must specify -*

Wall Thickness: _____

Wall Type _____
(e.g. drywall with tile, concrete, etc.)

B COUNTER COLOR SELECTION - Required Selection INIT.

Corterra® Solid Surface Color

Color: _____

(Refer to <https://www.neo-metro.com/luxury-solid-surface> for available colors)

Add (+) C FAUCET AND CONFIGURATION - Required Selection INIT.

No Faucet Hole - H0
For wall mounted faucet

Single Hole - H1
ø1-5/16" Centered Hole

 **Dyson Airblade™ Wash + Dry WD04**
Deck Mounted Short Faucet

Customer is required to submit faucet spec sheet to confirm compatibility with Neo-Metro's faucet drilling.

Add (+) D PRODUCT OPTIONS Optional Selection INIT.

ASSE 1070 Tempering Valve -MXTP

Single Temperature Valve -ST

Metering Liquid Soap Dispenser -PDM

P-Trap Waste (Must Specify Type) -PT
 Plastic P-Trap Brass P-Trap

Add (+) E P-TRAP COVER ENVIRO-GLAZE COLOR INIT.

Satin Finish Standard- Optional Selection

Enviro-Glaze Color

Color: _____

(Refer to www.neo-metro.com for available colors, keyword search: ENVIRO-GLAZE)



COMPANY: _____

PROJECT NAME: _____

SIGNEE'S NAME WRITTEN CLEARLY: _____

DATE: _____


AUTHORIZED SIGNATURE: _____

 **WARNING:** Cancer and Reproductive Harm - www.P65Warnings.ca.gov

Slab-Edge® 30" Solid Surface Basin

Counter with Integral Basin is intended to be mounted to a finished wall. Washbasin is constructed of Corterra® solid surface polymer resin and combine the look of granite and the feel of commercial-grade designer Basins. Adequate wall backing is required to support this wall mount, off-floor Washbasin fixture. When mounted 33" at finished floor, fixture would comply with OBC requirements. When mounted 34" at finished floor, fixture would comply with ANSI, UFAS and ADA requirements. Alternatively, the unit may be mounted at the height to comply with ADA requirements for children. Compliance is subject to the interpretation and requirements of the local code authority.

P-Trap Enclosure is included to allow easy maintenance and to conceal hot & cold Mixing Valve, Supply and Waste connections. Enclosure is fabricated of 18 gage, type 304 stainless steel with a satin finish engineered to provide a profile that complies with both ADA & OBC.

 **Counter with Integral Basin** is constructed of Corterra® solid surface polymer resin. Fixture includes No-Drip Edges, Integral Overflow, and Grid Strainer.

Mounting Bracket is included and fabricated of 12 gage galvanized or galvanized steel with rear Anchoring Slots. Adequate wall backing is required.

Optional Valves are available; ASSE 1070 compliant Valve delivers constant water flow by compensating for temperature and pressure fluctuations. Valve is factory set to 105° Fahrenheit and includes Integral Checks and Strainer to prevent cross-flow and contamination. Maximum Operating Pressure 125 PSI. A Single Temperature Air-Control Metering Valve assembly is offered as an alternative to the standard hot and cold Mixing Valve when a single water supply is desired.

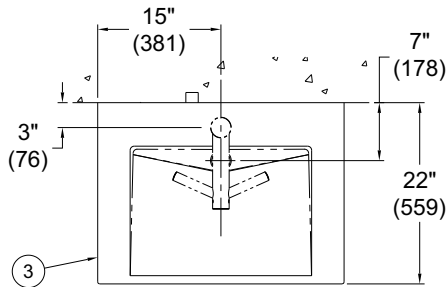
Dyson Airblade™ Wash + Dry Faucet is optionally available. Also available (-H1) a 1-5/16" (33.3mm) hole can be drilled in a pre-configured single-hole and (-H0) a no hole option for wall mounted Faucets by others. Neo-Metro requires customers to submit specification sheet of Faucet to confirm compatibility. Custom Faucet configurations may be specified by submitting a completed and signed Faucet Drilling Worksheet. Neo-Metro stainless steel commercial faucets are available and sold separately.



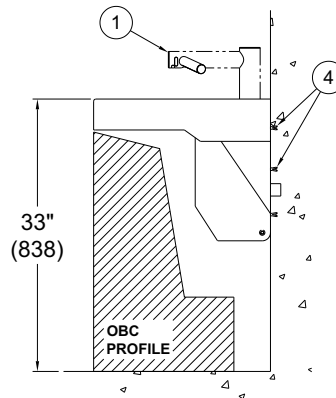
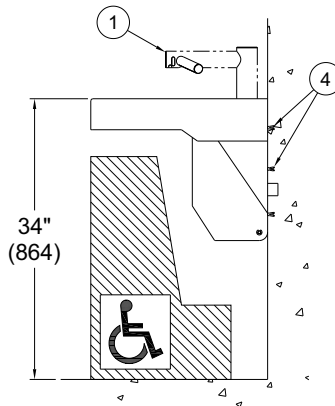
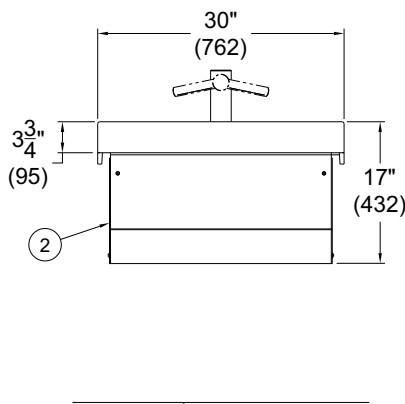
Member of
U.S. Green
Building
Council



Recyclable
Product



- ① DYSON AIRBLADE™ WASH + DRY DECK MOUNTED SHORT FAUCET
- ② P-TRAP & PIPING ENCLOSURE
- ③ CORTERRA® SOLID SURFACE COUNTER WITH INTEGRAL BASIN
- ④ MOUNTING HARDWARE, BY OTHERS



Model Shown: 9151
30" Wide Solid Surface Deck with Integrated Basin

All dimensions are subject to manufacturer's tolerance of plus or minus 1/2" nominal and subject to change without notice. assumes no responsibility for use of void or superseded data. Neo-Metro, City of Industry, CA, Member of Morris Group International. Please visit www.acorneng.com for most current specifications.

When properly installed,
the basin is ADA compliant.



INSTALLATION INSTRUCTIONS ARE AVAILABLE