

Slab-Edge® Solid Surface Basin



Model Shown: 3801-SO
30" Wide Solid Surface Deck with Integrated Basin

**U.S. DESIGN PATENT D745,120

APPROX. FIXTURE WEIGHT IS 69 LBS.



Model Shown: 3802-SO
56" Wide Solid Surface Deck with Integrated Basin

**U.S. DESIGN PATENT D823,445

APPROX. FIXTURE WEIGHT IS 117 LBS.



Model Shown: 3803-SO
80" Wide Solid Surface Deck with Integrated Basin

**U.S. DESIGN PATENT D823,445

APPROX. FIXTURE WEIGHT IS 155 LBS.

- WALL MOUNTED SOLID SURFACE DECK WITH INTEGRATED BASIN, MULTIPLE LENGTHS
- CAN BE USED WITH DYSON AIRBLADE™ FAUCETS
- ADA COMPLIANT (WHEN PROPERLY INSTALLED)
- CBC COMPLIANT (CALIFORNIA BUILDING CODE)
- OBC COMPLIANT (ONTARIO BUILDING CODE - CANADA)

PHYSICAL PROPERTIES IN COMPLIANCE WITH:
CSA B45.5/IAPMO Z124
ANSI/ICPA SS-1

- (Refer to Technical Data Sheet for Complete Details)

GREENGUARD GOLD CERTIFIED FOR LOW EMISSIONS

Counter with Integral Basin is intended to be mounted to a finished wall. Washbasin is constructed of Corterra® solid surface polymer resin and combine the look of granite and the feel of commercial-grade designer Basins. Adequate wall backing is required to support this wall mount, off-floor Washbasin fixture. When mounted 34" at finished floor, fixture will comply with ANSI, UFAS and ADA requirements. Alternatively, the unit may be mounted at the height to comply with ADA requirements for children. Compliance is subject to the interpretation and requirements of the local code authority.

Hinged P-Trap Enclosure is included to allow easy maintenance and to conceal hot & cold Mixing Valve, Supply and Waste connections. Enclosure is fabricated of 18 gage, type 304 stainless steel with a satin finish engineered to provide a profile that complies with both ADA & OBC.

Mounting Bracket is included and fabricated of 11 gage galvanized steel with rear Anchoring Slots. Adequate wall backing is required.

Counter with Integral Basin is constructed of Corterra® solid surface polymer resin and is Greenguard Gold listed. Basin includes a grid strainer with close elbow and 1-1/4" O.D. tailpiece drain.

Optional Sensor Operation is available, which includes Infrared Spout, 0.5 GPM Flow Control, a plug-in Transformer and a Battery Box.

Optional Dyson Airblade™ Wash + Dry Faucet is available, which includes Infrared Spout and Air Dryer, 0.5 GPM Flow Control, under counter Motor Bucket, lead-free stainless steel with a brushed finish.

Optional Valves are available; ASSE 1070 compliant Valve delivers constant water flow by compensating for temperature and pressure fluctuations. Valve is factory set to 105° Fahrenheit and includes Integral Checks and Strainer to prevent cross-flow and contamination. Maximum Operating Pressure 125 PSI.



Recyclable
Product



⚠ WARNING: Cancer and Reproductive Harm - www.P65Warnings.ca.gov

NEO-METRO® by ACORN®

A Member of Morris Group International

15125 Proctor Avenue • City of Industry, CA 91746 USA

TF 800.488.8999 • PH 626.366.4561

Slab-Edge® Solid Surface Basin

DESCRIPTION **MODEL/OPTION #**
A CONFIGURATION - Required Selection INIT. _____

- 3801 Solid Surface Basin, 1 User, 30" Wide
- 3802 Solid Surface Basin, 2 Users, 56" Wide
- 3803 Solid Surface Basin, 3 Users, 80" Wide

Add(+) **B FAUCET AND CONFIGURATION** - Required Selection INIT. _____

- H0 No Faucet Hole (For Wall Mounted Faucet)
- H1 Single Hole (ø1-5/16" Centered Hole)
- H34 4" Centerset (Three ø1-5/16" Holes)
- H Hand Operation with Deck Mounted "J" Spout & Pushbutton
- SO Sensor Operation with Deck Mounted Spout Includes Power Supply & Battery Pack (Batteries Not Included)
- WD04 Dyson Airblade™ Wash + Dry (Deck Mounted Short Faucet)

Add(+) **C VALVE** - Required Selection with -H and -SO Options Above INIT. _____

- MXTP ASSE 1070 Tempering Valve
- ST Single Temperature Valve

Add(+) **D COUNTER COLOR SELECTION** - Required Selection INIT. _____

Corterra® Solid Surface Color

Color: _____
Refer to <https://www.acorneng.com/corterra-solid-surface> for available colors

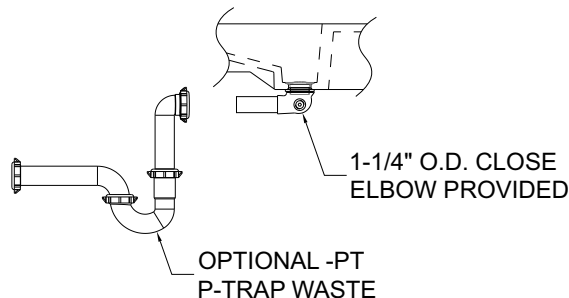
Add(+) **E PRODUCT OPTIONS** Optional Selection INIT. _____

- MC Mounting Carriers
- PDM Metering Liquid Soap Dispenser
- PT P-Trap Waste (Must Specify Type)
 - Plastic P-Trap Brass P-Trap
- SOS Sensor Operated Liquid Soap Dispenser
- SOS-BAT Sensor Operated, Battery Powered Liquid Soap Dispenser (Batteries Not Included)

Add(+) **F P-TRAP COVER ENVIRO-GLAZE COLOR** Satin Finish Standard- Optional Selection INIT. _____

Enviro-Glaze Color

Color: _____
Refer to <https://www.acorneng.com/uploads/fileLibrary/AE-enviroglaze-colorchart-0724.pdf> for available colors



APPROVAL FOR MANUFACTURE

COMPANY: _____

PROJECT NAME: _____

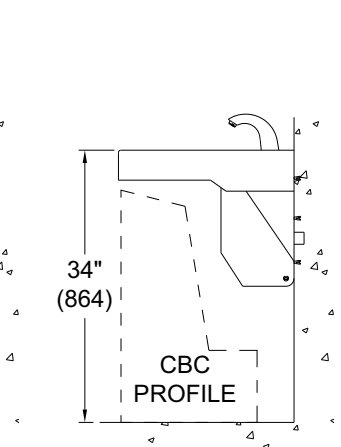
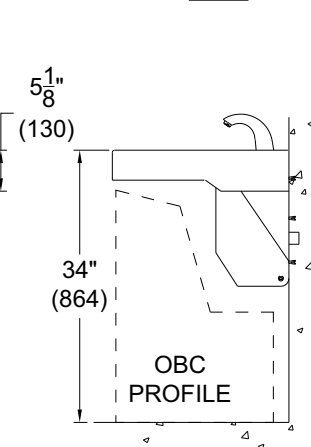
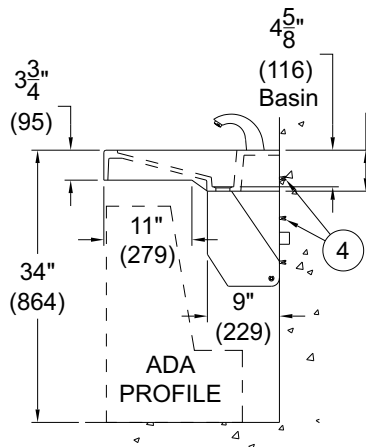
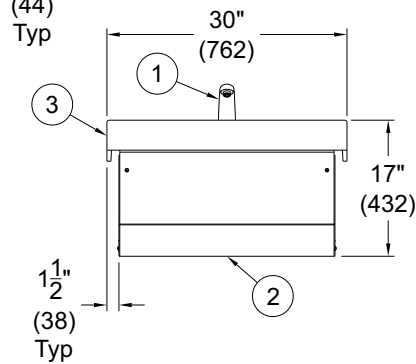
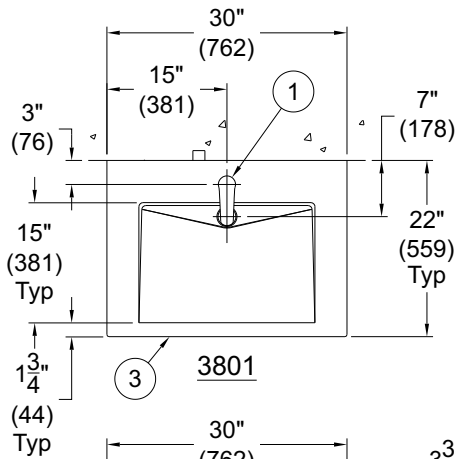
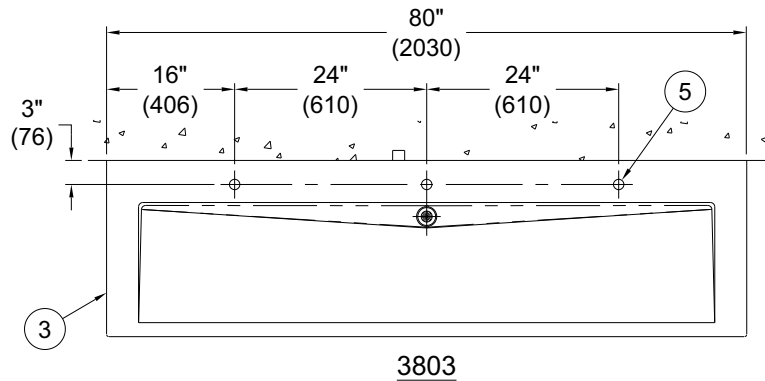
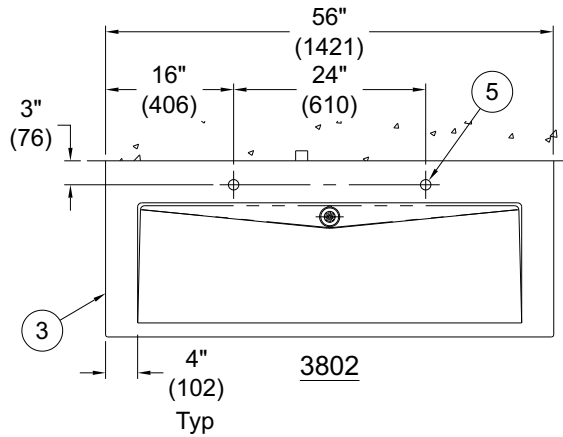
SIGNEE'S NAME WRITTEN CLEARLY: _____

DATE: _____

AUTHORIZED SIGNATURE: _____

Slab-Edge® Solid Surface Basin

- ① -SO DECK MOUNTED SENSOR OPERATED SPOUT SHOWN
- ② TRAP & PIPING ENCLOSURE
- ③ CORTERRA® SOLID SURFACE COUNTER WITH INTEGRAL BASIN
- ④ MOUNTING HARDWARE, BY OTHERS- ⑤ -H1 SINGLE HOLE SHOWN



All dimensions are subject to manufacturer's tolerance of plus or minus 1/2" nominal and subject to change without notice. Assumes no responsibility for use of void or superseded data. Neo-Metro, City of Industry, CA, Member of Morris Group International. Please visit www.acorneng.com for most current specifications.

When properly installed, the basin is ADA compliant.



INSTALLATION INSTRUCTIONS ARE AVAILABLE