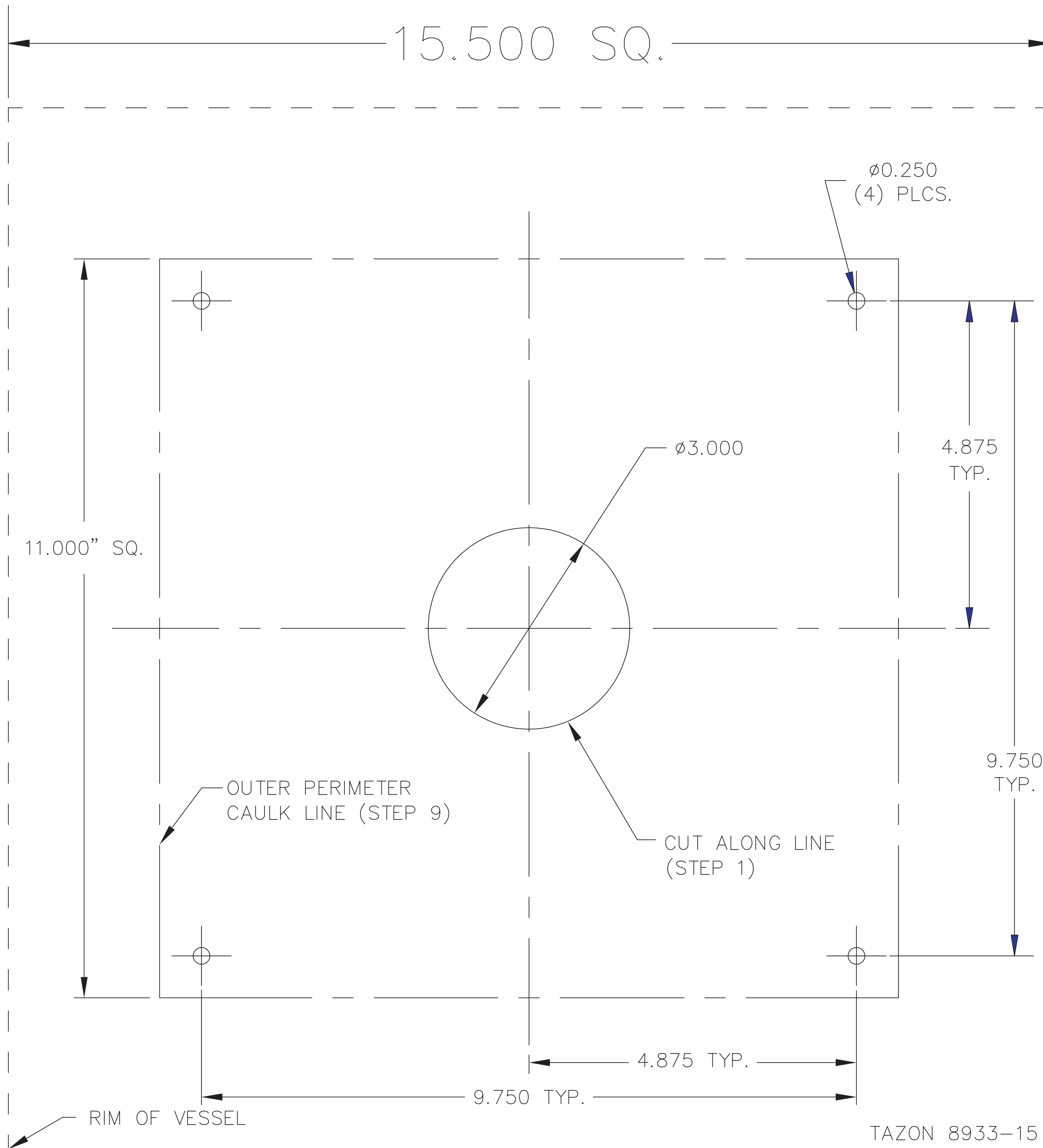
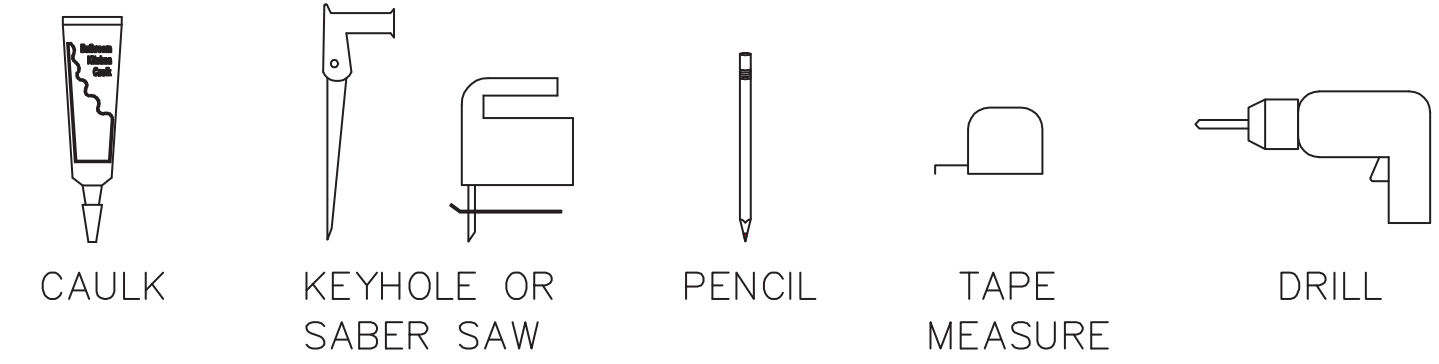




CUT-OUT TEMPLATE AND INSTALLATION  
INSTRUCTIONS FOR SMALL TAZON VESSEL



RECOMMENDED TOOLS AND MATERIALS

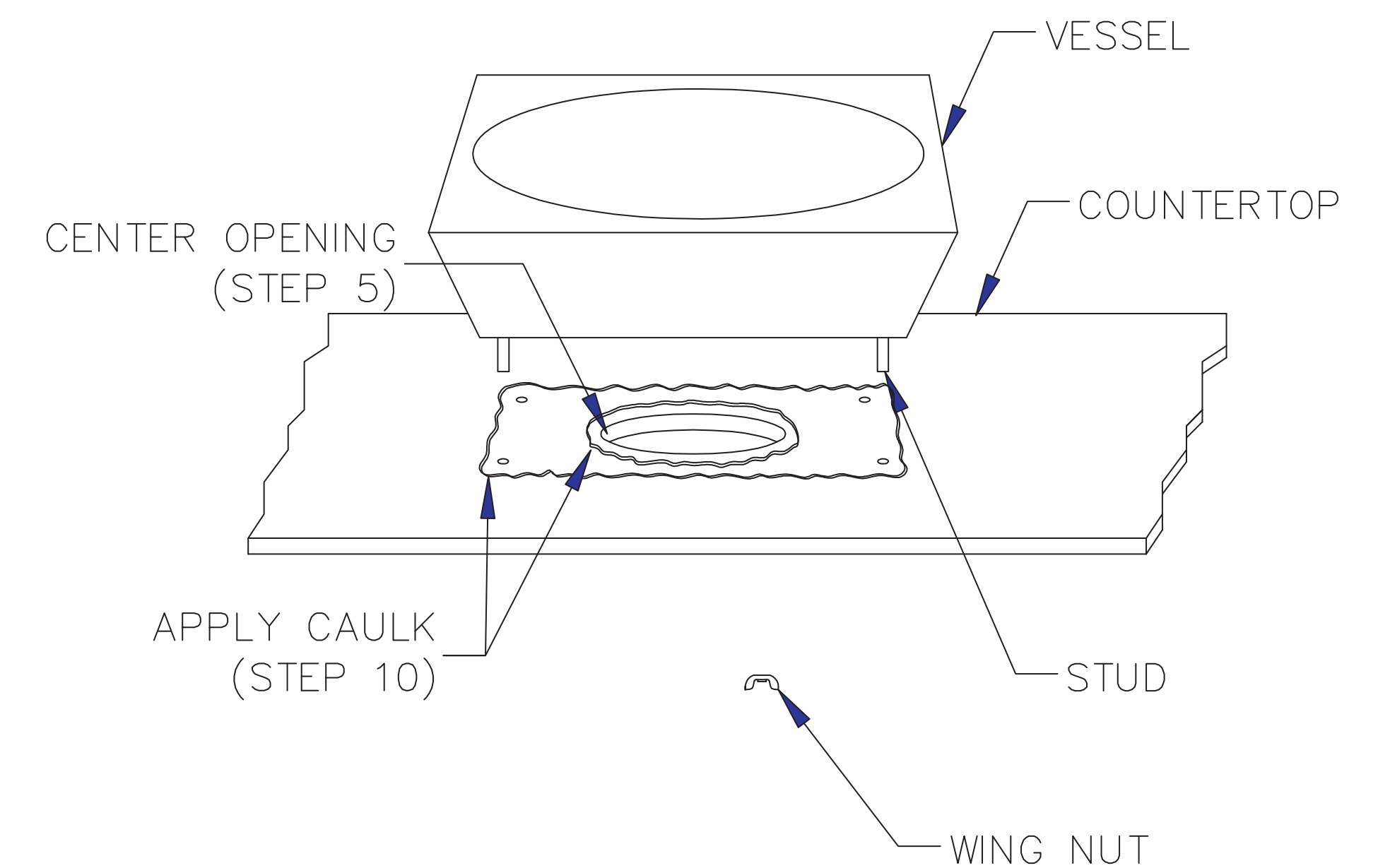


BEFORE YOU BEGIN

- NOTE: IF A WALL-MOUNTED FAUCET IS USED, ALLOW SUFFICIENT SPOUT OVERHANG INTO THE VESSEL. THE SPOUT MUST BE 7-1/2" (19cm) LONG MINIMUM FOR ADEQUATE CLEARANCE INTO THE VESSEL.
- PRIOR TO INSTALLATION, UNPACK AND INSPECT VESSEL FOR DAMAGE.
  - RETURN VESSEL TO ITS PROTECTIVE CARTON UNTIL YOU ARE READY TO INSTALL IT.

INSTALL THE VESSEL

1. CUT OUT THE 3" DIAMETER CENTER OF THE TEMPLATE & 1/4" HOLES.
2. POSITION THE TEMPLATE ON THE COUNTERTOP.
3. REFER TO FAUCET INSTALLATION INSTRUCTIONS AND MARK THE DESIRED FAUCET HOLE LOCATIONS.
4. USE A PENCIL TO TRACE THE TEMPLATE ON THE COUNTERTOP.
5. CUT OUT THE CENTER OPENING BY CAREFULLY FOLLOWING THE PENCIL LINE TRACED FROM THE TEMPLATE, DRILL (4) 1/4" DIM HOLES.
6. SET THE VESSEL INTO THE COUNTERTOP CUT-OUT AND CHECK THE FIT.
7. REMOVE THE VESSEL FROM THE COUNTERTOP.
8. INSTALL THE WALL-MOUNTED FAUCET ACCORDING TO MANUFACTURE'S INSTRUCTIONS.
9. CUT TEMPLATE AROUND OUTER PERIMETER CAULK LINE. CENTER TEMPLATE ON COUNTERTOP CUT-OUT AND MARK OUTER PERIMETER CAULK LINE WITH A PENCIL.
10. APPLY A CONTINUOUS BEAD OF CAULK AROUND THE COUNTERTOP CUT-OUT HOLE AND OUTER PERIMETER CAULK LINE.
11. CAREFULLY SET THE VESSEL INTO PLACE OVER THE CUT OUT HOLE.
12. SECURELY HAND TIGHTEN WING NUTS TO EVENLY DRAW DOWN THE VESSEL TO THE COUNTERTOP. DO NOT OVERTIGHTEN.
13. CAREFULLY WIPE AWAY ANY EXCESS CAULK.



(800) 591-9050  
FAX: (626) 937-4725  
EMAIL: INFO@NEO-METRO.COM  
WEB: WWW.NEO-METRO.COM