

■ GEBERIT

Technology- Enabling Design

Geberit Duofix Carrier

**KNOW
HOW**
INSTALLED

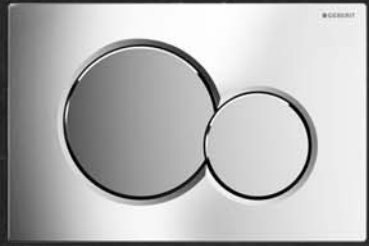


Geberit is Behind It All!

With millions of installations throughout the world, the message is clear: the Geberit Duofix Carrier allows unique design without reductions in reliability, performance, installation flexibility, and maintenance. Taking the toilet off the floor changes everything. And Geberit is behind it all!

Reliability – As with any plumbing component located behind a finished wall, absolutely zero defects can be tolerated. Geberit's commitment to zero defects is expressed through non-stop testing of all system components and through the lifetime warranty we offer on every Geberit carrier frame and flush tank.

Installation – The carrier is designed for installation using a minimum of standard tools and attaches easily to wall framing studs at just four points. Drainage and venting are no different from a conventional residential floor-mounted toilet. The Geberit System is integrated and allows unique design, with mounting plans for all types of applications, including In-wall, Pre-wall, and Free-standing wall installations.



**Distinctive...
Different...
Exceptional...**

Maintenance – The Geberit Duofix Carrier is virtually maintenance free, requiring no tools for simple changeouts of components. Filling and flushing valves carry a 10-year warranty and are fully accessible. In addition, the off-the-floor bowl design makes cleaning easy.

Performance – The Geberit System utilizes water saving, dual-flush technology. In addition, the gravity flushing system meets all requirements for use with third party listed low-consumption toilets 1.6 GPF (6 LPF) single-flush or 1.6/0.8 GPF (6/3 LPF) dual-flush, as well as certified High Efficiency Toilets (HET).



1 Easy Access

All internal components, including supply stop, fill and flush valves are accessible through decorative actuator flush panels.

2 Engineered Performance

Anti-siphon fill valve designed for short refill times with minimal noise. Water-saving flush valve for 1.6 GPF (6 LPF) single-flush or 1.6/0.8 GPF (6/3 LPF) dual-flush consumption. All materials meet chemical resistance standards. Both fill and flush valves engineered for long life.

3 Concealed Tank Technology

HDPE one-piece, integrated gravity flush tank is individually leak-tested for reliability and reinforced to prevent collapse. Tank insulated to prevent condensation ("sweating") inside the bathroom wall.

4 Strong Support Frame

16-gauge, powder-coated, structural-steel tubing rated to 880 lbs. (400 kg) without damage to finished wall or carrier unit. Exceeds ASME A112.6.2 strength requirements.

5 Integrated Height Adjustment

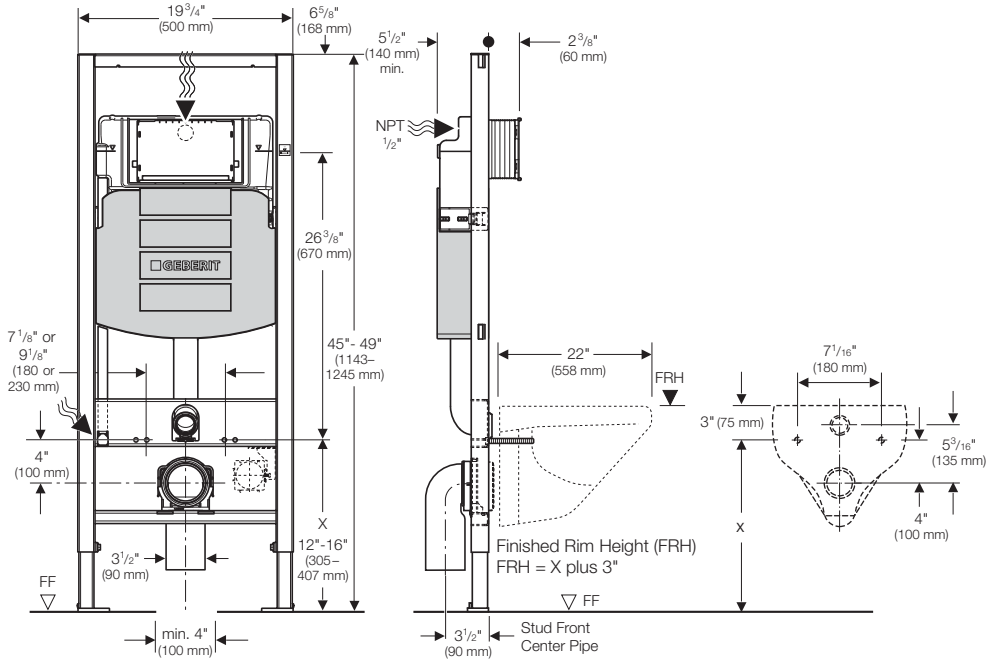
Bowl rim height adjustments from 15" (381 mm) to 19" (483 mm) allow flexibility in settings. Set the bowl height based on user preference or accessibility requirements.

Installation Systems

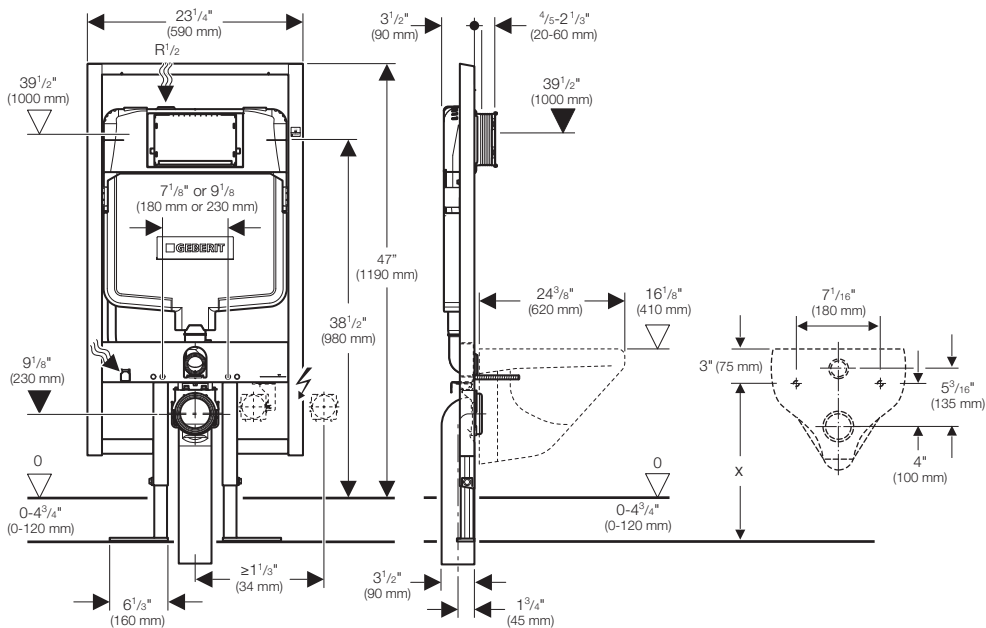
The Geberit Duofix Carrier for residential, washdown, wall-hung toilets incorporates a wall-mounted flush panel or pneumatic push button and offers single- or dual-flush capability.

Geberit Duofix Carrier, Toilet

With Sigma Concealed Tank, 2"x6" Installation



With Sigma Concealed Tank, 2"x4" Installation



Warranty

Limited lifetime warranty on tank and carrier, 10-year warranty on fill valve and flush valve. One-year warranty on actuator flush panels.

Complies with the latest editions of:

→ ASME: A112.6.2, A112.19.5, A112.19.14

→ ANSI Z124.4

→ CSA B125.3

→ ANSI/ASSE 1002

→ IAPMO PS-50

→ UNAR / UNAR-HET

→ ASME A112.19.2 and WaterSense® compliant when matched to properly approved bowl

→ State of Massachusetts listed



Product Specifications

Rough In	2" x 6" or 2" x 4" wood construction
	19¾" – 23¼" steel framing
Water Supply	Flow diameter no smaller than ½" (13 mm) copper tube
	Minimum flow pressure of 2 PSI (0.01 MPa)
Toilet Bowl	2-hole wall-hung
	1.6 GPF (6 LPF) third party listed low-consumption
	1.6/0.8 GPF (6/3 LPF) dual-flush
Actuator Flush Panels	Die-cast zinc, molded plastic, or fabricated stainless steel and plated to preserve material integrity

Geberit
2100 S. Clearwater Drive
Des Plaines, IL 60018
USA

P 800/566-2100
F 847/803-5454

→ geberit.us

Geberit North America is part of the Geberit Group, a European market leader and global provider of sanitary technology. Located in Des Plaines, Illinois, Geberit North America provides in-wall tank and carrier systems for wall-hung toilets and fixtures. Geberit systems improve the look of any bathroom by lifting the toilet off the floor and hiding the tank. Replacing a standard tank and toilet with the Geberit system results in more usable space, improved hygiene and better accessibility. The unique dual-flush valve saves water and is practically maintenance free. Geberit also offers cable-controlled bath waste and overflows in a variety of designer finishes. Critical working parts are outside the waterway, ensuring years of trouble-free operation.

For more information, contact your Geberit sales representative, call 800/566-2100 or go to → geberit.us

