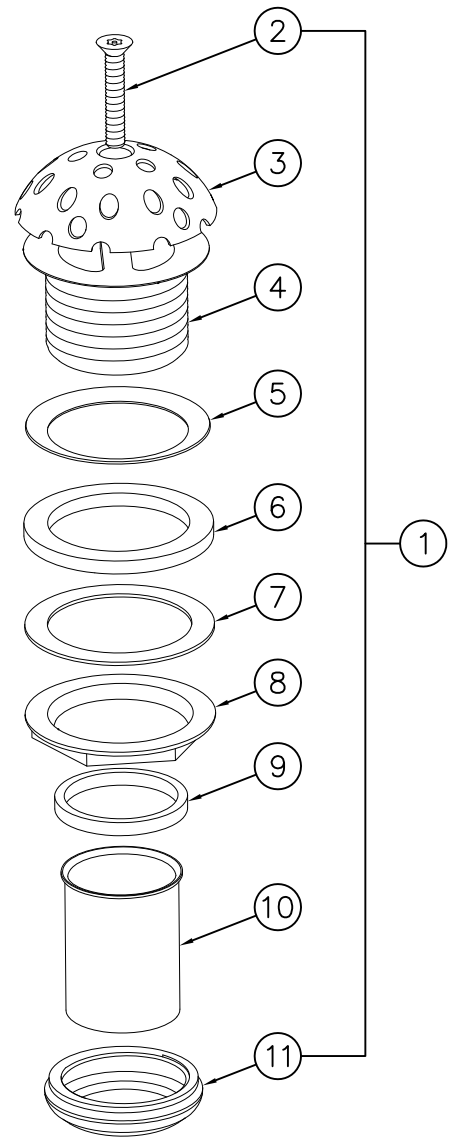
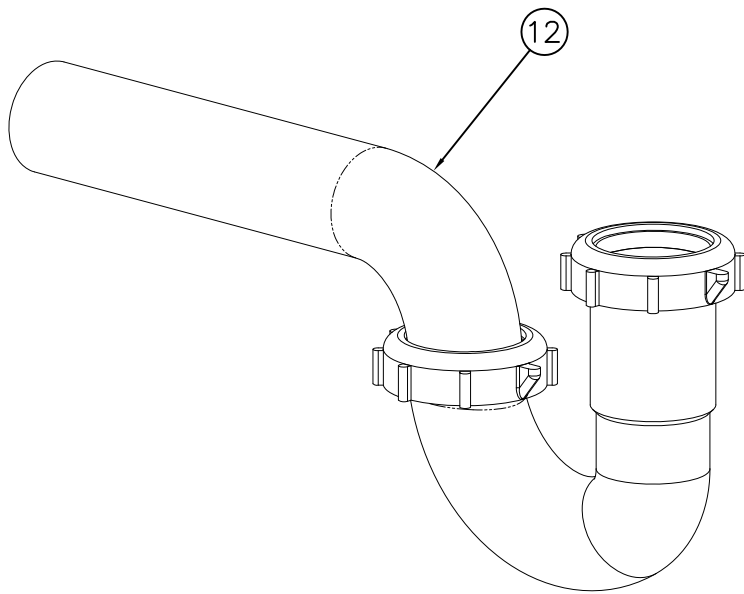


Scaled x 2



1	5290-080-001	DOMESTIC DRAIN ASSEMBLY	9	0437-003-000	GASKET FLOOD-TROL TO FLUSH VALVE
2	0126-200-000	1/4-20 x 1/2" S/S TORX C/R FLHD SCREW	10	4951-002-000	BRASS TAILPIECE, 1-1/2" OD x 2" LG
3	5290-081-199	BEEHIVE STRAINER	11	4970-059-000	SLIP NUT, 1-1/2 IPS x 1-1/2 CHROME PLATE
4	5290-080-199	DOMESTIC STRAINER, DRAIN BODY	12	4970-265-000	1-1/2" x 1-1/2" OD PLAIN END P-TRAP
5	0431-032-000	DRAIN GASKET, 2.437OD x 1.875ID x .031THK	13	5289-000-001	FLUSHING NOZZLE ASSEMBLY
6	0431-218-000	RUBBER GASKET, 1.875ID x 2.50D x 1.8THK	14	5289-000-199	1/2" NPSM FLUSHING NOZZLE
7	0338-021-000	FRICTION WASHER, 2.50D x 1.906ID x .047THK	15	0345-012-000	1/8" NOM x 1/4" LG SPRING PIN
8	5290-001-000	1-1/2" NPS FLANGE NUT, CAST ALUMINUM	16	0308-020-000	1/2" NPSMI BRASS NUT
ITEM	PART NUMBER	DESCRIPTION	ITEM	PART NUMBER	DESCRIPTION

<p>MORRIS GROUP INTL P.O. BOX 3527 Industry, CA 91744 15125 Proctor Ave Industry, CA 91746 (626) 336-4561 FAX (626) 961-2200</p>	<p>TITLE DRAIN ASSEMBLY #2158, WH2158, 1035F/1035R, 1036F/1036R & 8944</p>		
	<p>MANUFACTURE DATE</p> <p>OCTOBER 2012</p> <p>TO PRESENT</p>		<p>DATE ISSUED</p> <p>11/19/12</p>
			<p>DATE REVISED</p> <p>JAD B120916</p>