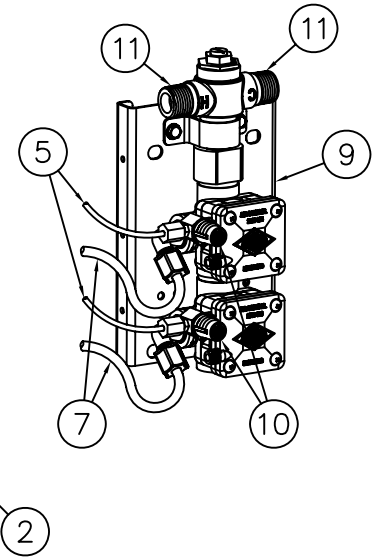


REFERENCE DRAWINGS	
SPOUT INSTALLATION	9927-200-N01
-SO SENSOR OP. INSTALLATION	9927-221-N04
-H PUSHBUTTON PARTS	9957-700-001
-H VALVE MAINTENANCE	9940-005-N02
-H SERVOMOTOR	9955-000-003
CHECKSTOP/STRAINER	9956-040-003
WASTE PIPING	9985-354-001
MISCELLANEOUS HARDWARE	9951-005-001
VALVE CONNECTIONS	9905-006-001
VALVE INSTALL (MXT/P)	9912-252-001
OPTIONAL -PDM SOAP DISPENSER	9927-210-N03



INSTALLATION INSTRUCTIONS:

NOTE: SOME AVAILABLE OPTIONS MAY AFFECT INSTALLATION PROCEDURE. REFER TO ALL INSTALLATION SHEETS FOR SPECIFIED OPTIONS BEFORE PROCEEDING.

- A- PROVIDE REQUIRED WALL BACKING AND ROUGH-INS AS SPECIFIED ON APPROPRIATE ROUGH-IN DRAWING.
- B- REMOVE BOTTOM ENCLOSURES (1) BY UNSCREWING VANDAL RESISTANT BUTTON-HEAD SCREWS (2).
- C- FOR -H HAND OPERATED UNITS, ASSEMBLE PUSHBUTTONS (3) TO WASHBASIN (4). CONNECT POLYETHYLENE 1/8" O.D. AIR LINES (5) TO PUSHBUTTONS BY HAND TIGHTENING FERRULE NUTS PROVIDED. SEE PUSHBUTTON DETAIL.
- D- ASSEMBLE WATER SPOUTS (6) TO WASHBASIN (4). CONNECT POLYETHYLENE 1/4" O.D. WATER LINES (7) TO SPOUTS WATER-TIGHT WITH FERRULE NUTS PROVIDED. SEE DETAIL B.
- E- MOUNT S-CLIPS (8) TO THE WALL. INSTALL WASHBASIN (4) ENGAGING BACKSPLASH OVER S-CLIPS. ANCHOR WASHBASIN (4) TO WALL (FASTENERS AND WALL ANCHORS BY OTHERS).
- F- FOR -H HAND OPERATED UNITS, INSTALL AIR-CONTROL VALVE ASSEMBLY (9) (MOUNTING HARDWARE BY OTHERS) ON WALL WITHIN TRAP ENCLOSURE AREA. REFERENCE STEP L. CONNECT 1/8" AIR LINES (5) FROM PUSHBUTTONS (3) TO VALVE TIMERS (10) HAND TIGHT USING FERRULE NUTS PROVIDED. SEE PUSHBUTTON DETAIL.
- G- FOR -SO SENSOR OPERATED UNITS, MAKE REFERENCE TO THE APPROPRIATE DRAWING FOR INSTALLATION OF THE SOLENOID VALVE AND ELECTRICAL CONNECTIONS.

- H- CONNECT 1/4" O.D. WATERLINES (7) FROM SPOUTS (6) TO VALVE WITH ASSEMBLY (9) WATERTIGHT WITH FERRULE NUTS PROVIDED.
- I- AFTER THOROUGHLY FLUSHING SUPPLY LINES, MAKE UP CONNECTIONS FROM 1/2" NPTE VALVE INLETS (11) TO SUPPLY STUB OUTS. CONNECTOR HOSES AND SUPPLY STUB OUTS PROVIDED BY THE INSTALLER.
- J- NOTE: ALL WASTE PIPING AND CONNECTIONS TO WALL ARE FACTORY PROVIDED. ASSEMBLE WASTE PIPING (12) & MAKE-UP LAVY WASTE CONNECTION (1-1/2" O.D. COMPRESSION). SEE THE APPROPRIATE REFERENCE DRAWING FOR PARTS.
- K- TURN ON WATER SUPPLY. CHECK FOR LEAKS. ON -H VALVE (9) ADJUST TIMERS (10) FOR DESIRED WATER CYCLE LENGTH.
- L- MOUNT TRAP ENCLOSURE BRACKETS (13) TO WALL (ANCHORS AND FASTENERS BY OTHERS). ASSEMBLE TRAP ENCLOSURE (14) TO BRACKETS (13) WITH SCREWS (2) PROVIDED. ALSO USE S-CLIPS (15) TO MOUNT ENCLOSURE (14) TO WALL AT RETURN (WALL ANCHORS BY OTHERS). SEE DETAIL.

NOTE:
MAXIMUM RECOMMENDED WORKING WATER PRESSURE IS 100 PSI; TEMPERATURE IS 130°F; OUTLET TEMPERATURE IS RECOMMENDED AT A MAXIMUM OF 105°F.
PRIOR TO MAKING INSTALLATION, SUPPLY LINES MUST BE FLUSHED OF ALL FOREIGN MATERIAL SUCH AS PIPE DOPE, CHIPS, ETC. VALVE MUST BE DRAINED PRIOR TO BEING SUBJECTED TO FREEZING TEMPERATURES. MAXIMUM RECOMMENDED OUTLET WATER TEMPERATURE IS 105°F

<p>WWW.NEO-METRO.COM</p>	TITLE SYSTEM M-2 MODELS #8981-1, 8981-2, 8981-3, 8981-4		
	MANUFACTURE DATE AUGUST 2010 TO PRESENT	DATE ISSUED 08/18/10	DRAWING NUMBER 9935-438-002