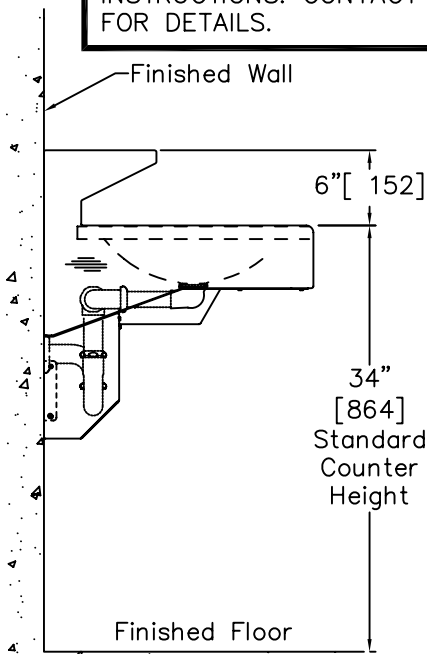
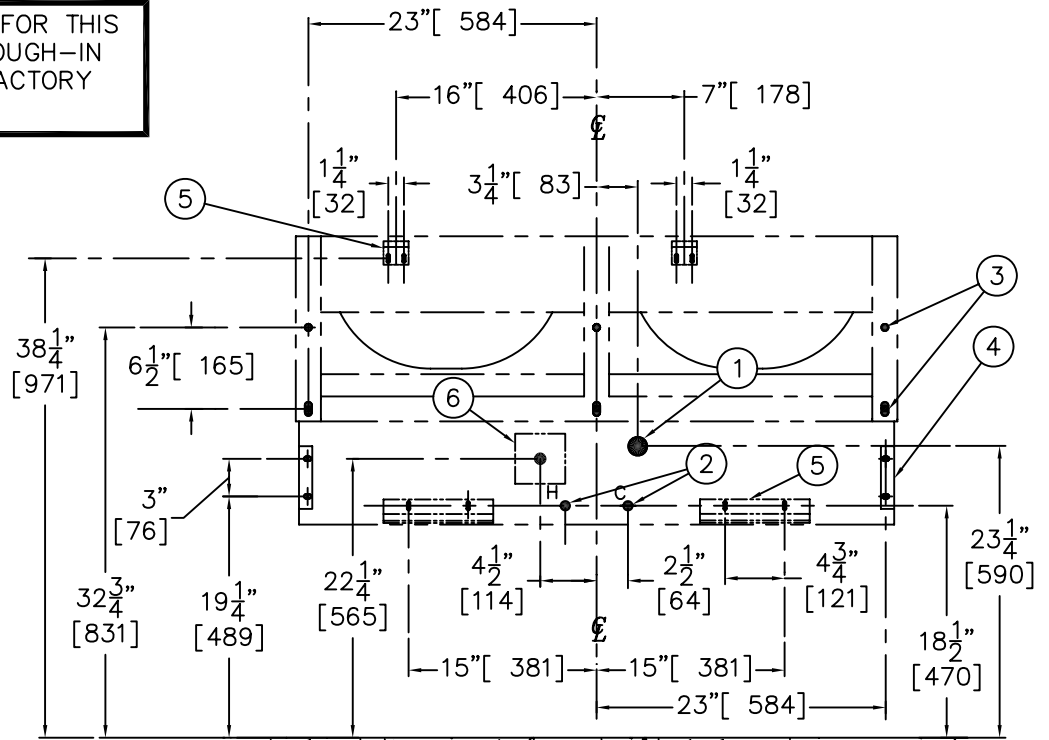


**NOTE:**

SOME AVAILABLE OPTIONS FOR THIS UNIT MAY ALTER THESE ROUGH-IN INSTRUCTIONS. CONTACT FACTORY FOR DETAILS.



**SIDE VIEW**



**FRONT VIEW**


**ROUGH-IN FOR THE FOLLOWING:**

- 1- LAVY WASTE OUTLET - 1-1/2" O.D. TUBE FOR COMPRESSION JOINT.
- 2- MIXING VALVE INLET - 1/2" NPS HOT AND COLD VALVE SUPPLIES.
- 3- MOUNTING LOCATIONS - 9/16" DIAMETER MOUNTING HOLES (3) PLACES, 9/16" x 1-1/8" SLOTS (3) PLACES.
- 4- TRAP COVER MOUNTING - (2) MOUNTING BRACKETS. EACH BRACKET HAS (2) 3/8" x 9/16" SLOTS FOR FASTENERS.
- 5- BOTTOM RETURN AND -IS (INTEGRAL SHELF) MOUNTING - "S" TYPE MOUNTING CLIPS WITH (2) 9/32" x 3/4" SLOTS FOR FASTENERS.
- 6- FOR -SO SENSOR OPERATED CONTROLS. PROVIDE 120V/60Hz/3 AMPS(MAX.) ELECTRIC RECEPTACLE TO CONNECT FACTORY SUPPLIED 120 VAC TO 9VDC 100 mA PLUG-IN TRANSFORMER. NOTE: RECEPTACLE MUST BE WIRED TO A GFI PROTECTED CIRCUIT. FIXTURE MUST BE EARTH GROUNDED PER N.E.C. (NATIONAL ELECTRICAL CODE).

**INSTALLATION INSTRUCTIONS:**

UNIT IS INTENDED FOR INSTALLATION ON A FINISHED WALL WITH APPROPRIATE WALL BACKING. 3/8" UNC WALL ANCHORS AND HARDWARE ARE NOT PROVIDED.

UNIT INCLUDES WASTE PIPING AND 1-1/2" TUBULAR P-TRAP. VALVE ASSEMBLY SHIPPED LOOSE FOR MOUNTING TO WALL. INCLUDES VALVE AND TRAP ENCLOSURE, SHIPPED LOOSE. VALVE INCLUDES 1/2" STAINLESS FLEX CONNECTION.

 <b>NEO-METRO®</b> P.O. BOX 3527 INDUSTRY, CA. 91744 (800) 591-9050 * (626) 855-4854 FAX (626) 937-4725 WWW.NEO-METRO.COM	<b>TITLE</b> <b>ROUGH-INS #8981-2-IS (INTEGRAL SHELF) SYSTEM M-2</b>	
	<b>MANUFACTURE DATE</b> <b>MARCH 2008</b> <b>TO PRESENT</b>	<b>DATE ISSUED</b> <b>03/28/08</b> <b>DATE REVISED</b>