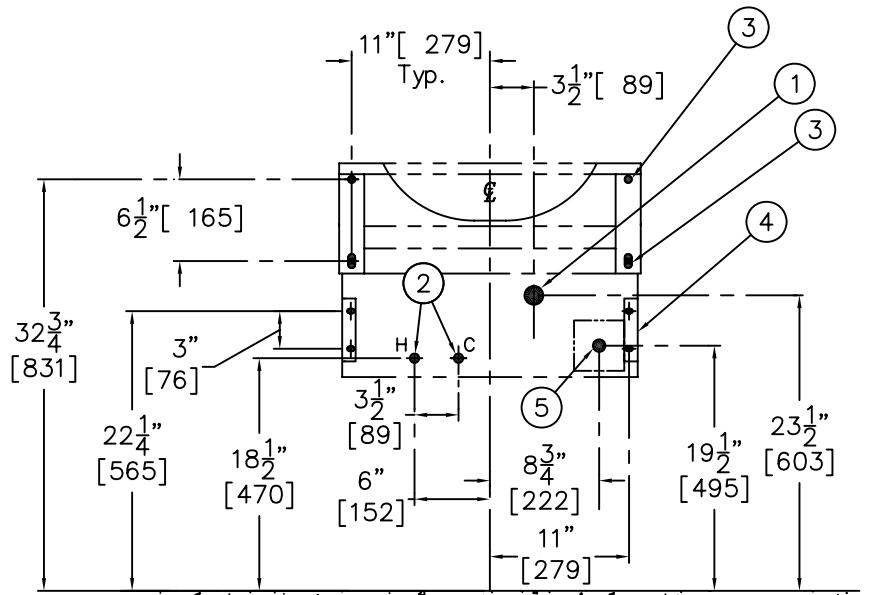


**SIDE VIEW**



**FRONT VIEW**


**ROUGH-IN FOR THE FOLLOWING:**

- 1- LAVY WASTE OUTLET – 1-1/2” O.D. TUBE FOR COMPRESSION JOINT.
- 2- MIXING VALVE INLET – 1/2” NPS HOT AND COLD VALVE SUPPLIES.
- 3- MOUNTING LOCATIONS – 9/16” DIAMETER MOUNTING HOLES (2) PLACES, 9/16” x 1-1/8” SLOTS (2) PLACES.
- 4- TRAP COVER MOUNTING – (2) MOUNTING BRACKETS. EACH BRACKET HAS (2) 3/8” x 9/16” SLOTS FOR FASTENERS.
- 5- FOR –SO SENSOR OPERATED CONTROLS. PROVIDE 120V/60Hz/3 AMPS(MAX.) ELECTRIC RECEPTACLE TO CONNECT FACTORY SUPPLIED 120 VAC TO 9VDC 100 mA PLUG-IN TRANSFORMER. NOTE: RECEPTACLE MUST BE WIRED TO A GFI PROTECTED CIRCUIT. FIXTURE MUST BE EARTH GROUNDED PER N.E.C. (NATIONAL ELECTRICAL CODE).

**INSTALLATION INSTRUCTIONS:**

UNIT IS INTENDED FOR INSTALLATION ON A FINISHED WALL WITH APPROPRIATE WALL BACKING. 3/8” UNC WALL ANCHORS AND HARDWARE ARE NOT PROVIDED.

UNIT INCLUDES WASTE PIPING AND 1-1/2” TUBULAR P-TRAP. VALVE ASSEMBLY SHIPPED LOOSE FOR MOUNTING TO WALL. INCLUDES VALVE AND TRAP ENCLOSURE, SHIPPED LOOSE. VALVE INCLUDES 1/2” STAINLESS FLEX CONNECTION.

 <p>WWW.NEO-METRO.COM</p>	<b>TITLE</b> <b>ROUGH-INS #8981-1 SYSTEM M-2</b>		
	<b>MANUFACTURE DATE</b> <b>MARCH 2008</b> <b>TO PRESENT</b>	<b>DATE ISSUED</b> <b>03/28/08</b>	<b>DRAWING NUMBER</b> <b>9935-420-001</b>
		<b>DATE REVISED</b> <b>07/08/08</b>	