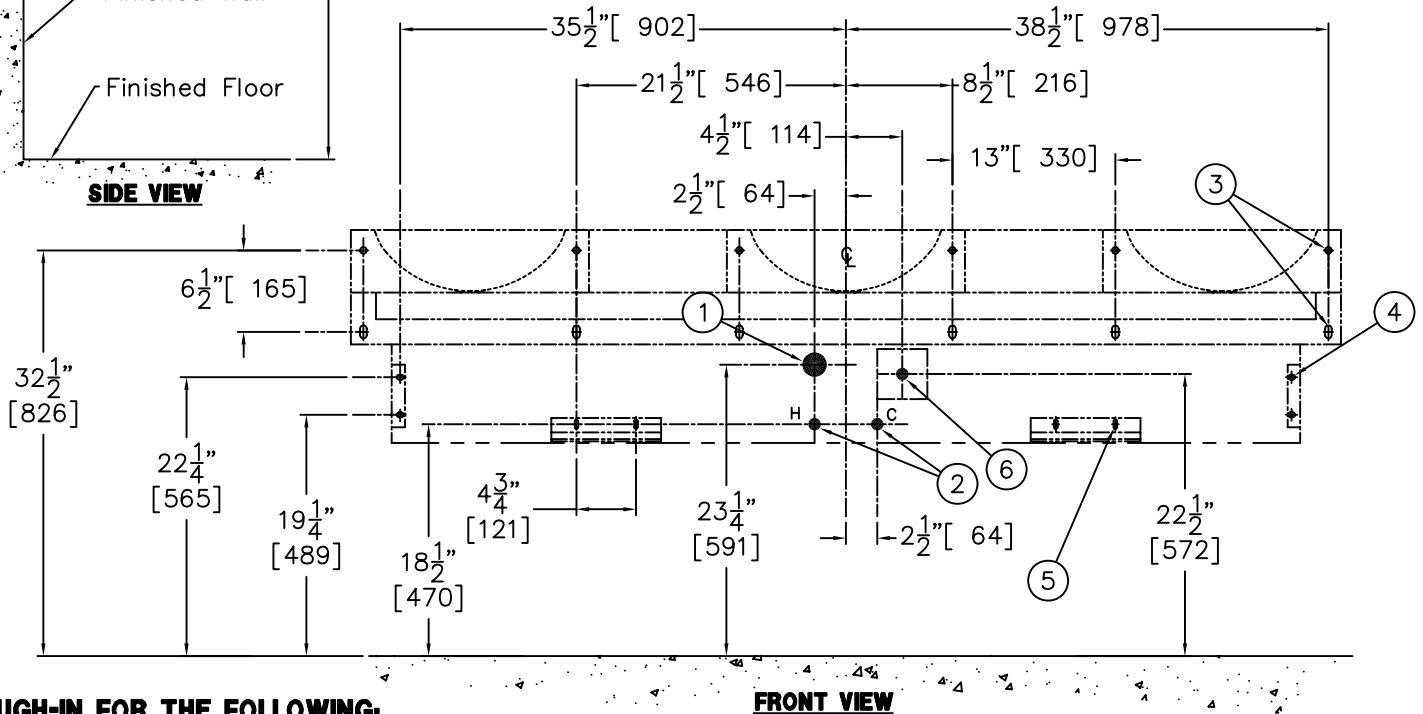


NOTE:

SOME AVAILABLE OPTIONS FOR THIS UNIT MAY ALTER THESE ROUGH-IN INSTRUCTIONS. CONTACT FACTORY FOR DETAILS.




ROUGH-IN FOR THE FOLLOWING:

- 1- LAVY WASTE OUTLET – 1-1/2" O.D. TUBE FOR COMPRESSION JOINT.
- 2- MIXING VALVE INLET – 1/2" NPS HOT AND COLD VALVE SUPPLIES.
- 3- MOUNTING LOCATIONS – 9/16" DIAMETER MOUNTING HOLES (6) PLACES, 9/16" x 1-1/8" SLOTS (6) PLACES.
- 4- TRAP COVER MOUNTING – (2) MOUNTING BRACKETS. EACH BRACKET HAS (2) 3/8" x 9/16" SLOTS FOR FASTENERS.
- 5- BOTTOM RETURN MOUNTING – (2) 8-3/4" "S" TYPE MOUNTING CLIPS WITH (2) 9/32" x 3/4" SLOTS FOR FASTENERS.
- 6- FOR –SO SENSOR OPERATED CONTROLS. PROVIDE 120V/60Hz/3 AMPS(MAX.) ELECTRIC RECEPTACLE TO CONNECT FACTORY SUPPLIED 120 VAC TO 9VDC 100 mA PLUG-IN TRANSFORMER. NOTE: RECEPTACLE MUST BE WIRED TO A GFI PROTECTED CIRCUIT. FIXTURE MUST BE EARTH GROUNDED PER N.E.C. (NATIONAL ELECTRICAL CODE).

INSTALLATION INSTRUCTIONS:

UNIT IS INTENDED FOR INSTALLATION ON A FINISHED WALL WITH APPROPRIATE WALL BACKING. 3/8" UNC WALL ANCHORS AND HARDWARE ARE NOT PROVIDED.

UNIT INCLUDES WASTE PIPING AND 1-1/2" TUBULAR P-TRAP. VALVE ASSEMBLY SHIPPED LOOSE FOR MOUNTING TO WALL. INCLUDES VALVE AND TRAP ENCLOSURE, SHIPPED LOOSE. VALVE INCLUDES 1/2" STAINLESS FLEX CONNECTION.

 NEO-METRO® P.O. BOX 3527 INDUSTRY, CA. 91744 (800) 591-9050 * (626) 855-4854 FAX (626) 937-4725 WWW.NEO-METRO.COM	TITLE ROUGH-INS #8980-3 SYSTEM M-2		
	MANUFACTURE DATE MARCH 2008 TO PRESENT	DATE ISSUED 03/28/08	DRAWING NUMBER 9935-410-001
		DATE REVISED	