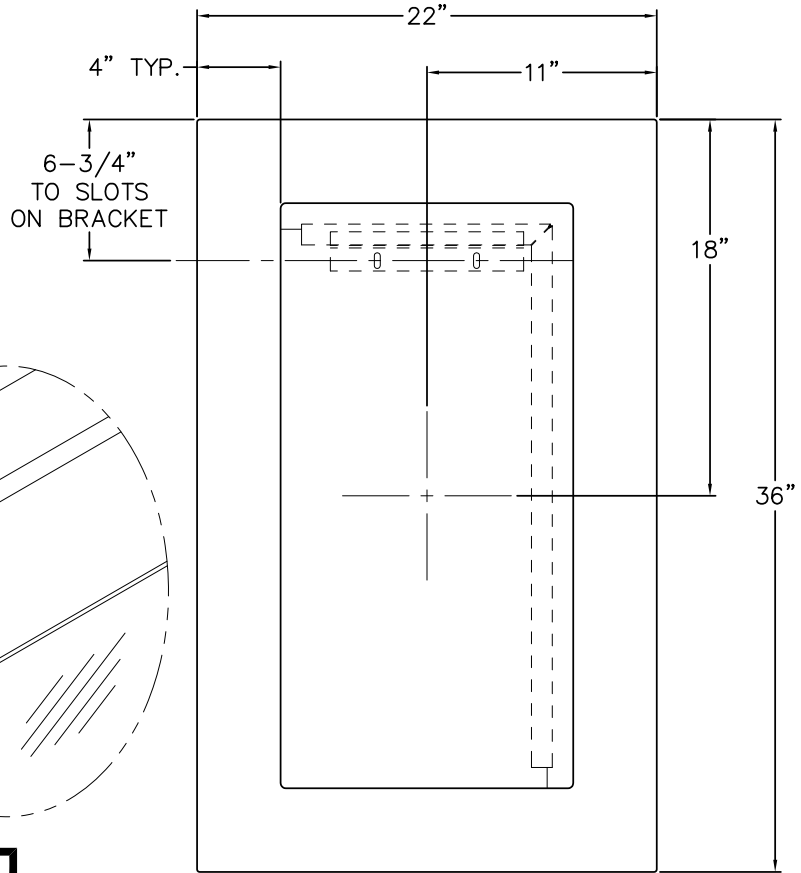


MIRROR DESIGN ALLOWS FOR PORTRAIT OR LANDSCAPE ORIENTATION.



NOTE: NEO-METRO RECOMMENDS THAT WALL STUD OR ADEQUATE WALL BACKING BE UTILIZED OR PROVIDED FOR WALL-HUNG INSTALLATIONS. WALL ANCHORS AND ANCHORING FASTENERS ARE PROVIDED BY OTHERS.


INSTALLATION INSTRUCTIONS:

- A- PROVIDE A SWITCHED GFI PROTECTED ELECTRICAL OUTLET NEAR MIRROR LOCATION. NOTE: 110-120VAC, 15 AMP MINIMUM CIRCUIT FOR LIGHTING REQUIREMENTS.
- B- SECURE S-CLIP ① STYLE MOUNTING BRACKET TO WALL USING ANCHORING HARDWARE BY OTHERS. ENSURE BRACKET IS LEVEL. SLOTS PROVIDED IN BRACKET ARE INTENDED TO ALLOW FOR SMALL ADJUSTMENT.
- C- POSITION MIRROR OVER BRACKET AGAINST WALL WITH FLANGE ② OF MIRROR FRAME SLIGHTLY ABOVE BRACKET ①.

- D- SLIDE MIRROR DOWN TO ENGAGE FLANGE ② BETWEEN BRACKET ① AND THE WALL.

SUGGESTION: PLACE TEMPORARY, REMOVABLE MATERIAL (I.E. CLOTH PAPER, ETC.) BETWEEN MIRROR AND FINISHED WALL IN ORDER TO AVOID DAMAGING MIRROR AND/OR WALL WHILE POSITIONING THE MIRROR TO ENGAGE THE WALL BRACKET.

- E- REMOVE ANY PROTECTIVE MATERIAL USED TO AVOID DAMAGING WALL OR MIRROR. PLUG IN ELECTRICAL CORD TO SWITCHED GFI PROTECTED OUTLET.

 <p>NEO-METRO® WWW.NEO-METRO.COM</p>	TITLE NEO-METRO 8993-3 RESIN & BLANCO MIRROR, 36" x 22"		
	MANUFACTURE DATE MARCH, 2008 TO PRESENT	DATE ISSUED 04/08/08	DRAWING NUMBER 9935-224-001
		DATE REVISED 04/24/12	