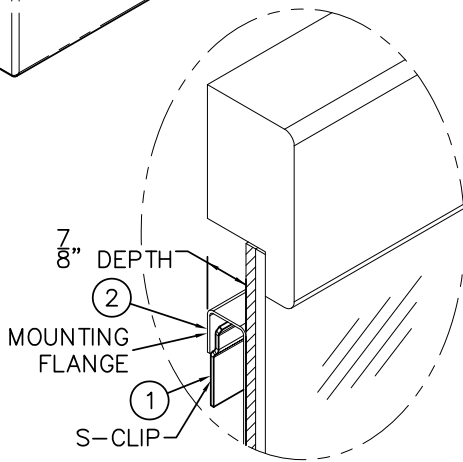
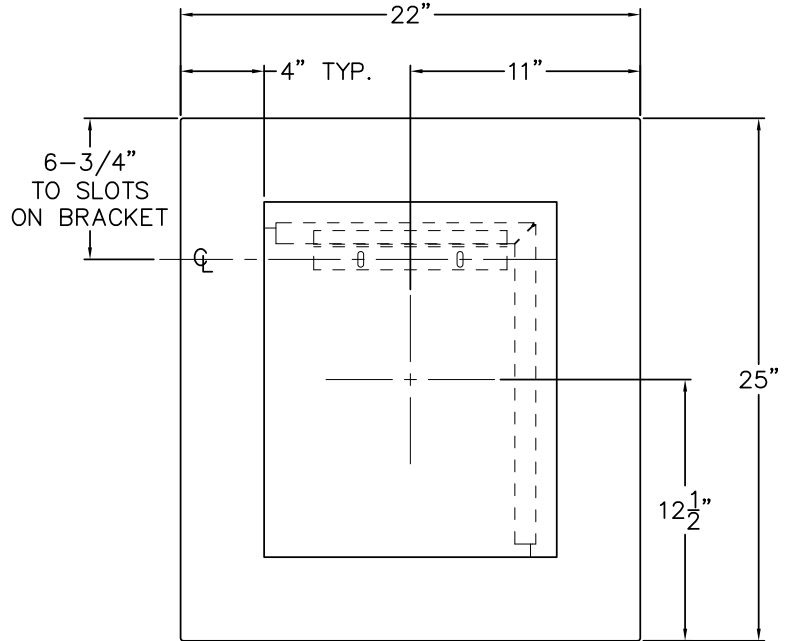
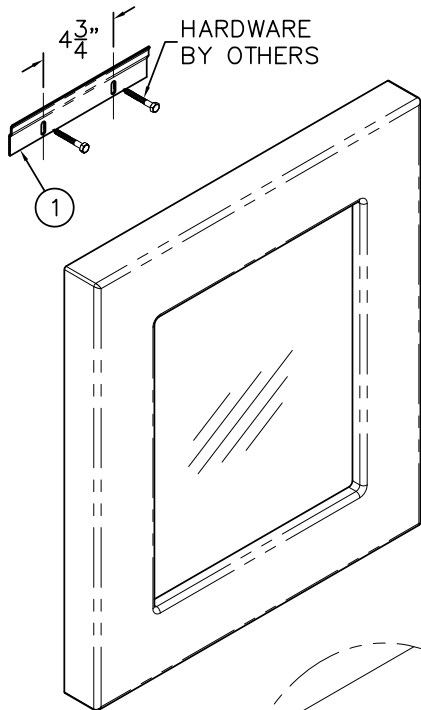


MIRROR DESIGN ALLOWS FOR PORTRAIT OR LANDSCAPE ORIENTATION.



NOTE: NEO-METRO RECOMMENDS THAT WALL STUD OR ADEQUATE WALL BACKING BE UTILIZED OR PROVIDED FOR WALL-HUNG INSTALLATIONS. WALL ANCHORS AND ANCHORING FASTENERS ARE PROVIDED BY OTHERS.


INSTALLATION INSTRUCTIONS:

- A- PROVIDE A SWITCHED GFI PROTECTED ELECTRICAL OUTLET NEAR MIRROR LOCATION.
 NOTE: 110-120VAC, 15 AMP MINIMUM CIRCUIT FOR LIGHTING REQUIREMENTS.
- B- SECURE S-CLIP (1) STYLE MOUNTING BRACKET TO WALL USING ANCHORING HARDWARE BY OTHERS. ENSURE BRACKET IS LEVEL. SLOTS PROVIDED IN BRACKET ARE INTENDED TO ALLOW FOR SMALL ADJUSTMENT.
- C- POSITION MIRROR OVER BRACKET AGAINST WALL WITH FLANGE (2) OF MIRROR FRAME SLIGHTLY ABOVE BRACKET (1).

- D- SLIDE MIRROR DOWN TO ENGAGE FLANGE (2) BETWEEN BRACKET (1) AND THE WALL.

SUGGESTION: PLACE TEMPORARY, REMOVABLE MATERIAL (I.E. CLOTH PAPER, ETC.) BETWEEN MIRROR AND FINISHED WALL IN ORDER TO AVOID DAMAGING MIRROR AND/OR WALL WHILE POSITIONING THE MIRROR TO ENGAGE THE WALL BRACKET.

- E- REMOVE ANY PROTECTIVE MATERIAL USED TO AVOID DAMAGING WALL OR MIRROR. PLUG IN ELECTRICAL CORD TO SWITCHED GFI PROTECTED OUTLET.

 WWW.NEO-METRO.COM	TITLE NEO-METRO 8993-1 RESIN & BLANCO MIRROR, 22" x 25"		
	MANUFACTURE DATE MARCH, 2008 TO PRESENT	DATE ISSUED 04/08/08	DRAWING NUMBER 9935-220-001
	DATE REVISED 04/24/12		