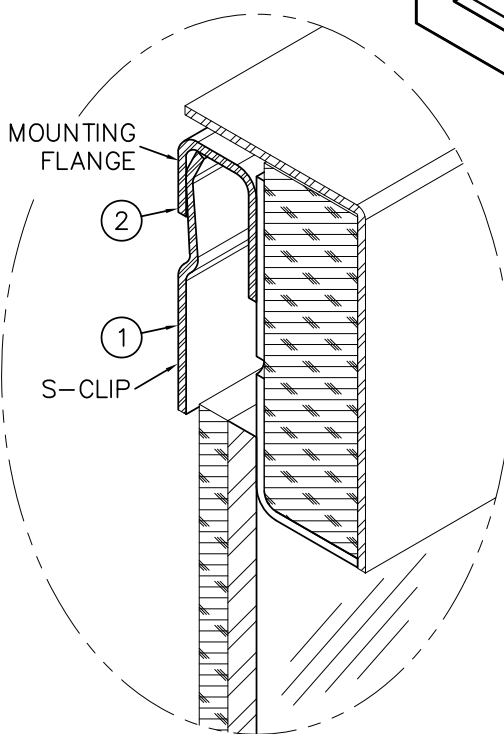
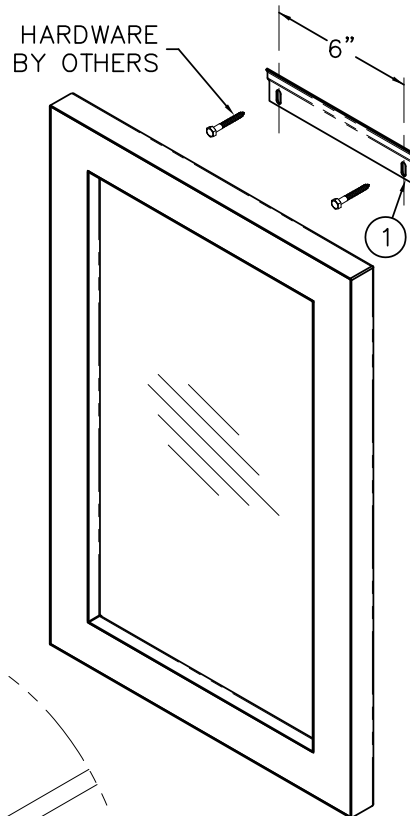
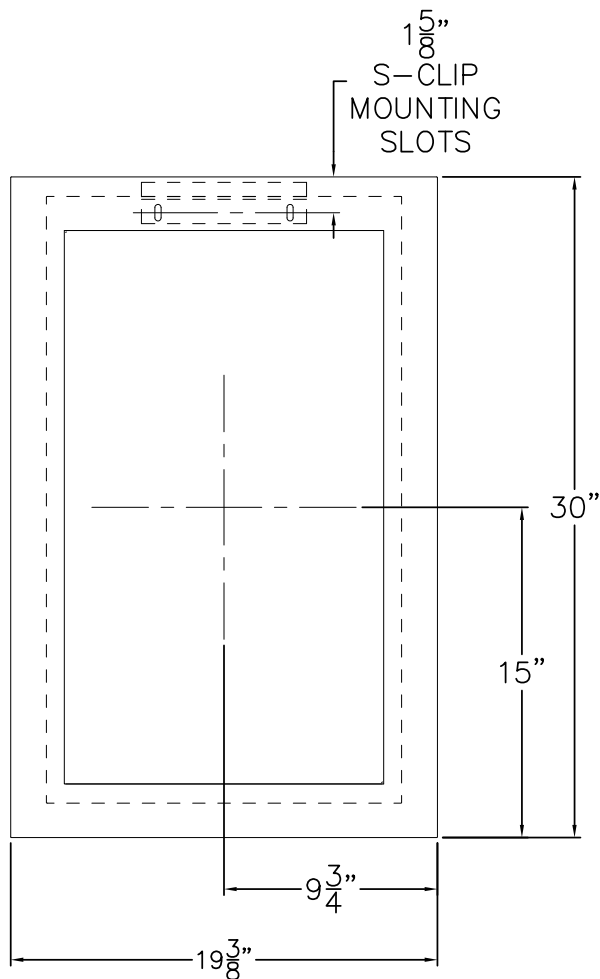


MIRROR DESIGN ALLOWS FOR PORTRAIT OR LANDSCAPE ORIENTATION

NOTE: NEO-METRO RECOMMENDS THAT WALL STUDS OR ADEQUATE WALL BACKING BE UTILIZED OR PROVIDED, FOR WALL-HUNG INSTALLATIONS. WALL ANCHORS AND ANCHORING HARDWARE ARE BY OTHERS.



**INSTALLATION INSTRUCTIONS:**

- A- SECURE S-CLIP STYLE MOUNTING BRACKET ① TO WALL USING ANCHORING HARDWARE BY OTHERS. ENSURE BRACKET IS LEVEL. SLOTS PROVIDED IN BRACKET ALLOW FOR SOME ADJUSTMENT.
- B- PLACE MIRROR OVER BRACKET AGAINST WALL WITH FLANGE ② OF MIRROR FRAME ABOVE BRACKET.
- C- SLIDE MIRROR DOWN TO ENGAGE FLANGE ② BETWEEN BRACKET ① AND THE WALL.

SUGGESTION: PLACE TEMPORARY, REMOVABLE MATERIAL (I.E. CLOTH, PAPER, PLASTIC ETC.) BETWEEN MIRROR AND FINISHED WALL IN ORDER TO AVOID DAMAGING MIRROR AND/OR WALL WHILE POSITIONING THE MIRROR TO ENGAGE THE WALL BRACKET.

- D- REMOVE ANY PROTECTIVE MATERIAL USED TO AVOID DAMAGING WALL OR MIRROR.

TITLE <b>NEO-METRO MIRROR STAINLESS STEEL, 30" x 19-3/8", MODEL #8993-2-SS2</b>		
MANUFACTURE DATE	DATE ISSUED	DRAWING NUMBER
<b>APRIL, 2004</b>	<b>04/20/12</b>	<b>9935-212-002</b>
<b>TO PRESENT</b>	DATE REVISED	