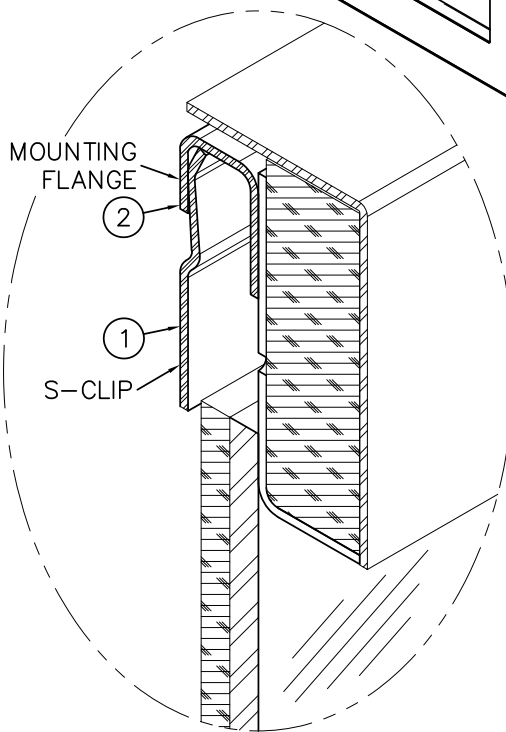
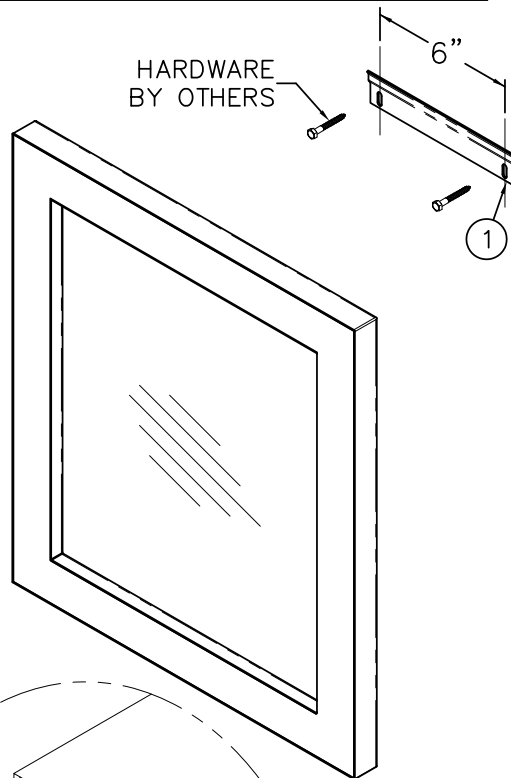
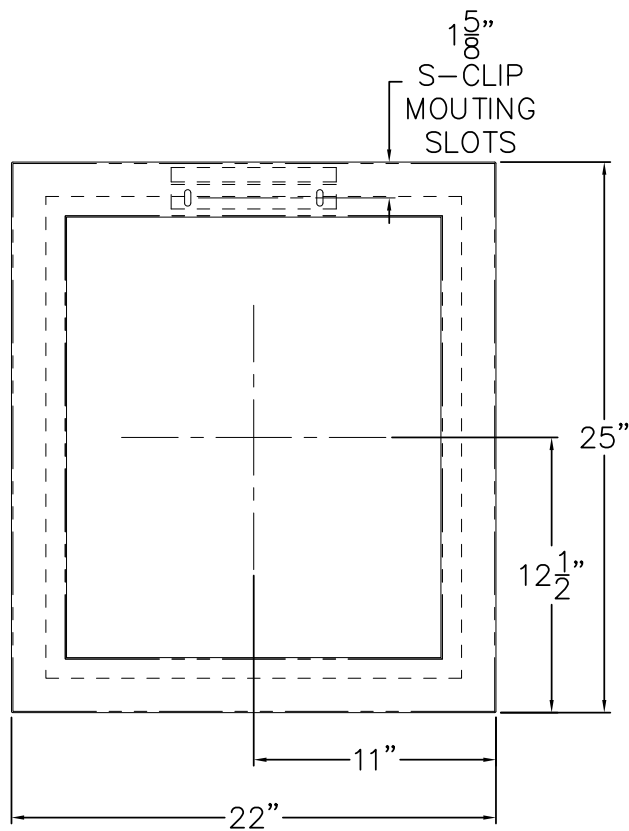


MIRROR DESIGN ALLOWS FOR PORTRAIT OR LANDSCAPE ORIENTATION

NOTE: NEO-METRO RECOMMENDS THAT WALL STUDS OR ADEQUATE WALL BACKING BE UTILIZED OR PROVIDED, FOR WALL-HUNG INSTALLATIONS. WALL ANCHORS AND ANCHORING HARDWARE ARE BY OTHERS.



INSTALLATION INSTRUCTIONS:

- A- SECURE S-CLIP STYLE MOUNTING BRACKET ① TO WALL USING ANCHORING HARDWARE BY OTHERS. ENSURE BRACKET IS LEVEL. SLOTS PROVIDED IN BRACKET ALLOW FOR SOME ADJUSTMENT.
- B- PLACE MIRROR OVER BRACKET AGAINST WALL WITH FLANGE ② OF MIRROR FRAME ABOVE BRACKET.
- C- SLIDE MIRROR DOWN TO ENGAGE FLANGE ② BETWEEN BRACKET ① AND THE WALL.

SUGGESTION: PLACE TEMPORARY, REMOVABLE MATERIAL (I.E. CLOTH, PAPER, PLASTIC ETC.) BETWEEN MIRROR AND FINISHED WALL IN ORDER TO AVOID DAMAGING MIRROR AND/OR WALL WHILE POSITIONING THE MIRROR TO ENGAGE THE WALL BRACKET.

- D- REMOVE ANY PROTECTIVE MATERIAL USED TO AVOID DAMAGING WALL OR MIRROR.

<p>NEO-METRO[®] WWW.NEO-METRO.COM</p>	<p>TITLE NEO-METRO MIRROR STAINLESS STEEL FRAME, 25" x 22", MODEL #8993-1-SS2</p>		
	<p>MANUFACTURE DATE</p> <p>APRIL, 2004</p> <p>TO PRESENT</p>	<p>DATE ISSUED</p> <p>04/20/12</p> <p>DATE REVISED</p>	<p>DRAWING NUMBER</p> <p>9935-210-002</p>