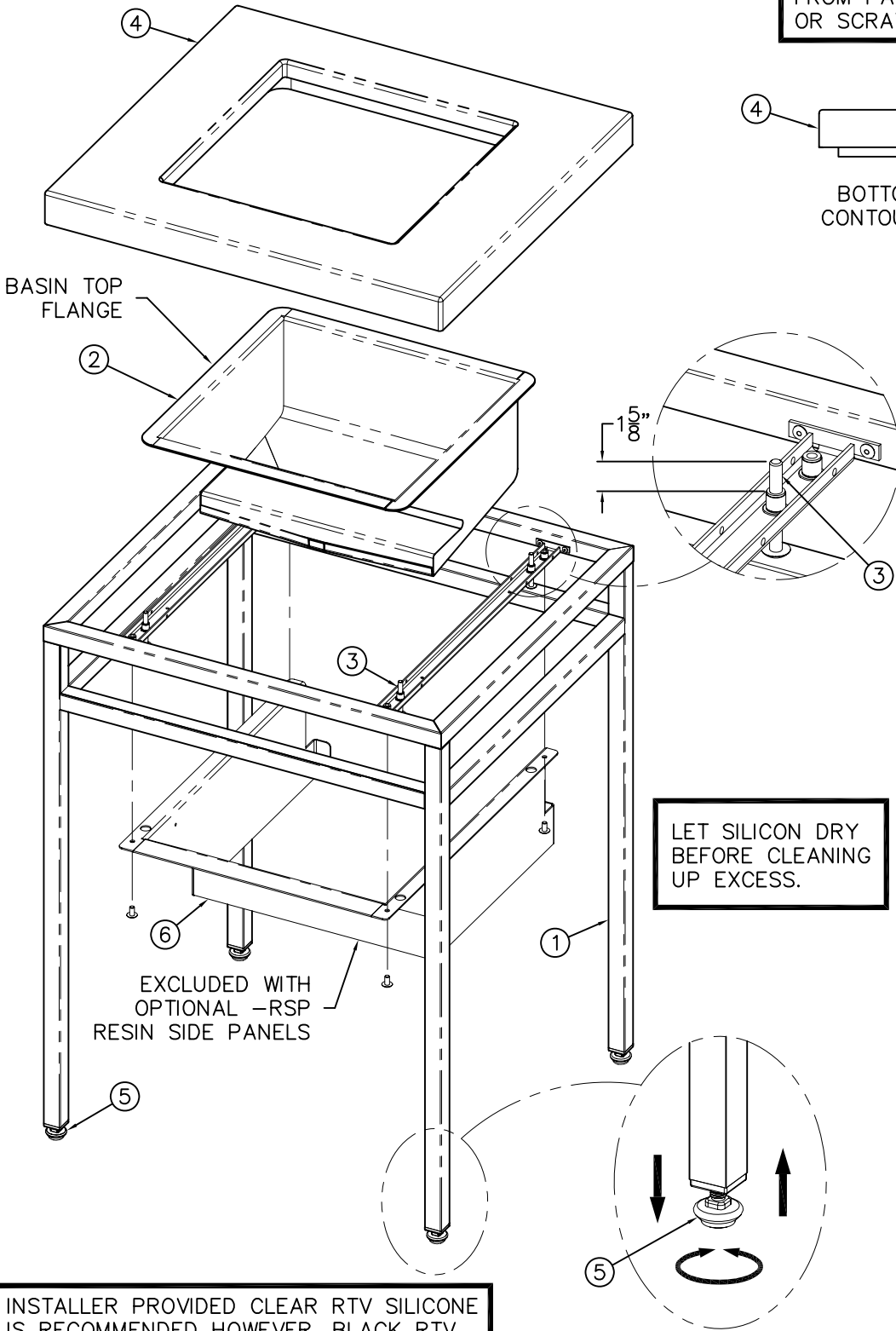


CAREFULLY REMOVE ALL COMPONENTS FROM PACKAGING TO AVOID DAMAGING OR SCRATCHING FINISH.



INSTALLATION INSTRUCTIONS:

- A- PLACE CONSOLE TABLE FRAME ASSEMBLY (1) IN PREPARED POSITION AGAINST FINISHED WALL.
- B- SET BASIN (2) ON TOP OF SUPPORT CHANNEL SCREWS (3) WITHIN FRAME ASSEMBLY. ADJUST HEIGHT OF THE SUPPORT SCREWS AS NECESSARY.
- C- APPLY CLEAR RTV SILICONE EVENLY ON TOP FLANGE OF THE BASIN (2). SILICONE PROVIDED BY OTHERS.
- D- CAREFULLY POSITION COUNTERTOP (4) OVER BASIN. ALIGN & FIT THE BOTTOM CONTOUR WITH THE FIXTURE FRAME (1) AS SHOWN AND FIRMLY SEAT COUNTER.
- E- BE SURE THAT THE BASIN IS ALIGNED PROPERLY WITH THE RESIN. RAISE OR LOWER SUPPORT CHANNEL SCREWS (3) AS REQUIRED TO SEAL BASIN TO COUNTERTOP.
- F- LEVEL CONSOLE ASSEMBLY BY ADJUSTING THE CORNER LEG PADS (5).
- G- ASSEMBLE BOTTOM COVER (6) TO FIXTURE AND MAKE UP SUPPLY CONNECTIONS AND WASTE OUTLET TO INSTALLER PROVIDED WASTE ASSEMBLY AS REQUIRED.

LET SILICON DRY BEFORE CLEANING UP EXCESS.

INSTALLER PROVIDED CLEAR RTV SILICONE IS RECOMMENDED HOWEVER, BLACK RTV SILICONE MAY BE USED FOR "STEALTH FOG" RESIN OPTION.

TITLE NEO-METRO #9108 EBB CONSOLE ASSEMBLY INFORMATION		
MANUFACTURE DATE MARCH 2005 TO PRESENT	DATE ISSUED 03/31/05	DRAWING NUMBER 9935-197-001
	DATE REVISED 12/02/10	