

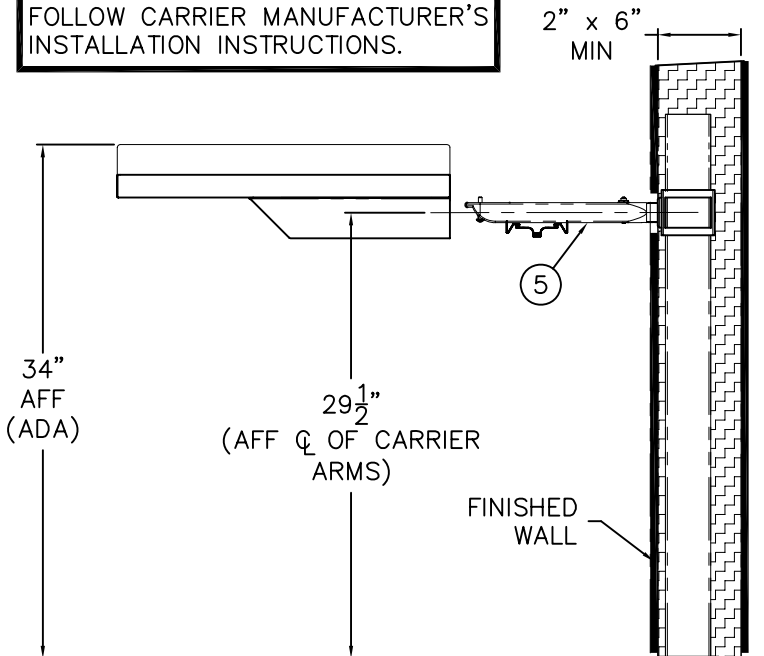
INSTALLER PROVIDED CLEAR RTV SILICONE IS RECOMMENDED HOWEVER, BLACK RTV SILICONE MAY BE USED FOR "STEALTH FOG" RESIN OPTION.

INSTALLATION INSTRUCTIONS:

- A- SET BASIN (1) ON TOP OF SUPPORT CHANNEL SCREWS (2) WITHIN FRAME ASSEMBLY (3). ADJUST HEIGHT OF THE SUPPORT SCREWS (2) AS NECESSARY.
- B- APPLY CLEAR RTV SILICONE EVENLY ON TOP FLANGE OF THE BASIN (2). SILICONE PROVIDED BY OTHERS.
- C- CAREFULLY POSITION COUNTERTOP (4) OVER BASIN (1), ALIGN & FIT THE BOTTOM COUNTER WITH THE FIXTURE FRAME (3) AS SHOWN AND FIRMLY SEAT COUNTER.
- D- RAISE OR LOWER SUPPORT CHANNEL SCREWS (2) AS REQUIRED TO SEAL BASIN TO COUNTERTOP (4).
- E- FOLLOW THE CONCEALED ARM CARRIER MANUFACTURER'S INSTALLATION INSTRUCTIONS. INSURE CARRIER ARMS (5) ARE LEVEL.
- F- SLIDE THE BASIN ASSEMBLY COMPLETELY ONTO THE CARRIER ARMS (5). TO LEVEL ASSEMBLY, TURN THE FRONT AND REAR CARRIER ARM SCREWS (6) AS NEEDED. FIXTURE SHOULD NOT ROCK WHEN LEVEL.
- G- CAREFULLY TIGHTEN THE LOCKING MECHANISM (7) UNTIL THE BASIN IS SECURELY HELD IN PLACE.
- H- ASSEMBLE BOTTOM COVER (8) TO FIXTURE AND MAKE UP WASTE AND SUPPLY CONNECTIONS AS REQUIRED.

RECOMMENDED FOR COMMERCIAL APPLICATIONS (HOSPITALITY, RESTAURANTS, NIGHTCLUBS).

FOLLOW CARRIER MANUFACTURER'S INSTALLATION INSTRUCTIONS.



NEO-METRO®
 WWW.NEO-METRO.COM

TITLE EBB CONCEPT, 9112-WM-MC-FLR w/ FLOOR MOUNTED CARRIER SUPPORT		
MANUFACTURE DATE	DATE ISSUED	DRAWING NUMBER
JUNE 2007	07/02/07	9935-185-001
TO PRESENT	DATE REVISED	
	07/31/08	