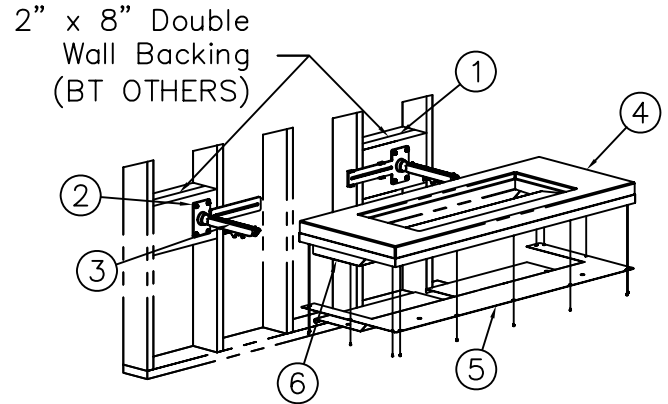


RECOMMENDED FOR LIGHT COMMERCIAL AND RESIDENTIAL APPLICATIONS



9112-WM-MC WALL MOUNTED EBB CONCEPT w/ CONCEALED CARRIER SUPPORT SYSTEM

- PROVIDE LEVEL 2" X 8" DOUBLE WALL BACKING (1) (BY OTHERS)
- USING CARRIER ARM BASES (2) AS A TEMPLATE MARK LOCATIONS FOR $\frac{1}{4}$ " PILOT HOLES AND $1\frac{1}{2}$ " THRU HOLE FOR CARRIER ARMS, (SEE DETAIL A).
- SECURE CARRIER BASES (2) TO WALL BACKING (1) USING $\frac{3}{8}$ " X $1\frac{1}{2}$ " LONG LAG SCREWS (BY OTHERS).
- THREAD CARRIER ARMS (3) INTO CARRIER BASES (2). CARRIER ARMS SHOULD EXTEND APPROXIMATELY $12\frac{1}{2}$ " FROM FINISHED WALL. ENSURE TOPS OF ARMS FACE UP.
- FINALIZE CONSTRUCTION OF FINISHED WALL MAKING ACCOMMODATIONS FOR CARRIER ARMS (3).
- SLIDE THE BASIN (4) COMPLETELY ONTO THE CARRIER ARMS (3). REMOVE BASIN'S BOTTOM COVER (5) TO REVEAL ADJUSTMENT OPENINGS ON FIXTURE'S CARRIER ARM SLEEVES (6). TO LEVEL BASIN (4) TURN THE FRONT AND REAR CARRIER ARM SCREWS (7) AS NEEDED. BASIN (4) SHOULD NOT ROCK WHEN LEVEL.
- CAREFULLY TIGHTEN THE LOCKING MECHANISM (8) UNTIL THE BASIN (4) IS SECURELY HELD IN PLACE.
- ASSEMBLE BOTTOM COVER (5) AND MAKE UP WASTE AND SUPPLY CONNECTIONS.

