

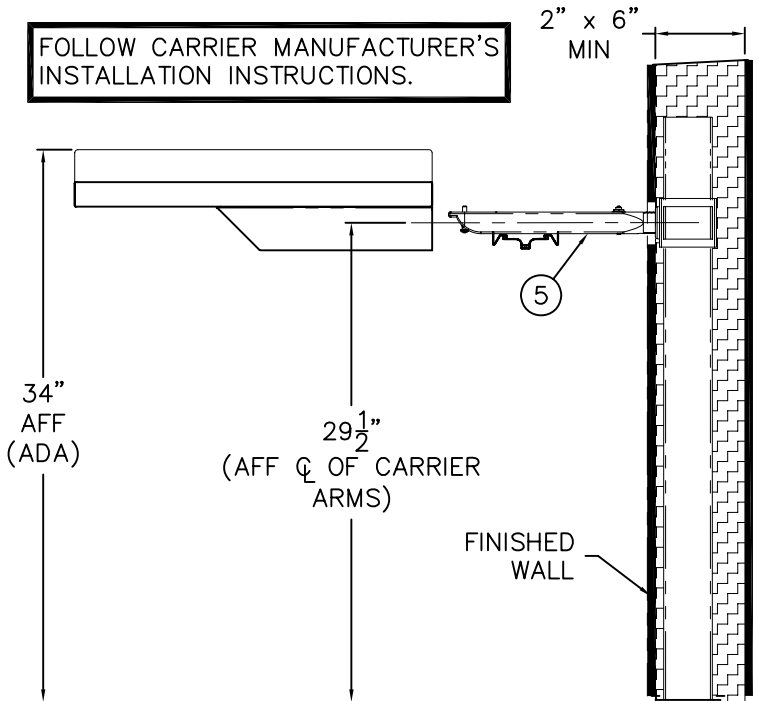
INSTALLER PROVIDED CLEAR RTV SILICONE IS RECOMMENDED HOWEVER, BLACK RTV SILICONE MAY BE USED FOR "STEALTH FOG" RESIN OPTION.

INSTALLATION INSTRUCTIONS:

- A- SET BASIN (1) ON TOP OF SUPPORT CHANNEL SCREWS (2) WITHIN FRAME ASSEMBLY (3). ADJUST HEIGHT OF THE SUPPORT SCREWS (2) AS NECESSARY.
- B- APPLY CLEAR RTV SILICONE EVENLY ON TOP FLANGE OF THE BASIN (2). SILICONE PROVIDED BY OTHERS.
- C- CAREFULLY POSITION COUNTERTOP (4) OVER BASIN (1), ALIGN & FIT THE BOTTOM CONTOUR WITH THE FIXTURE FRAME (3) AS SHOWN AND FIRMLY SEAT COUNTER.
- D- RAISE OR LOWER SUPPORT CHANNEL SCREWS (2) AS REQUIRED TO SEAL BASIN TO COUNTERTOP (4).
- E- FOLLOW THE CONCEALED ARM CARRIER MANUFACTURER'S INSTALLATION INSTRUCTIONS. INSURE CARRIER ARMS (5) ARE LEVEL.
- F- SLIDE THE BASIN ASSEMBLY COMPLETELY ONTO THE CARRIER ARMS (5). TO LEVEL ASSEMBLY, TURN THE FRONT AND REAR CARRIER ARM SCREWS (6) AS NEEDED. FIXTURE SHOULD NOT ROCK WHEN LEVEL.
- G- CAREFULLY TIGHTEN THE LOCKING MECHANISM (7) UNTIL THE BASIN IS SECURELY HELD IN PLACE.
- H- ASSEMBLE BOTTOM COVER (8) TO FIXTURE AND MAKE UP WASTE AND SUPPLY CONNECTIONS AS REQUIRED.

RECOMMENDED FOR COMMERCIAL APPLICATIONS. (HOSPITALITY, RESTAURANTS, NIGHTCLUBS).

FOLLOW CARRIER MANUFACTURER'S INSTALLATION INSTRUCTIONS.



MANUFACTURE DATE JUNE 2007 TO PRESENT	DATE ISSUED 07/02/07	DRAWING NUMBER 9935-183-001
	DATE REVISED 07/31/08	