

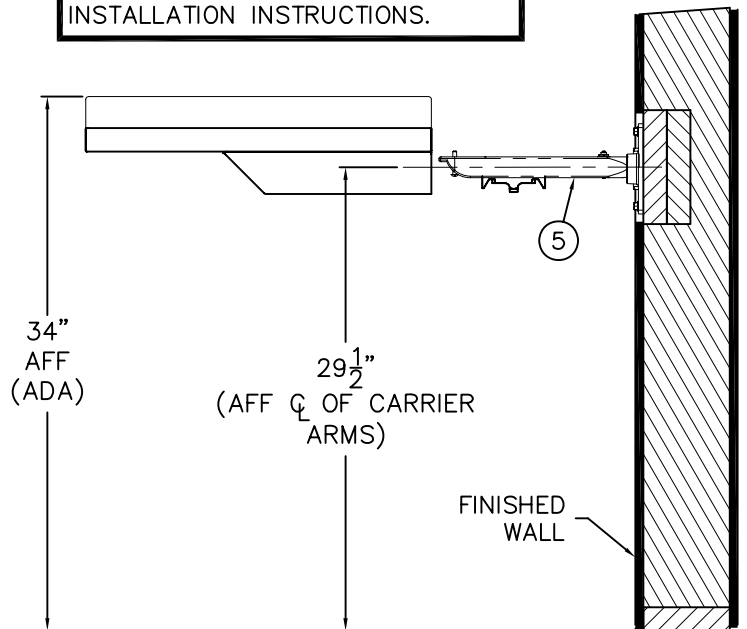
INSTALLER PROVIDED CLEAR RTV SILICONE IS RECOMMENDED HOWEVER, BLACK RTV SILICONE MAY BE USED FOR "STEALTH FOG" RESIN OPTION.


INSTALLATION INSTRUCTIONS:

- A- SET BASIN (1) ON TOP OF SUPPORT CHANNEL SCREWS (2) WITHIN FRAME ASSEMBLY (3). ADJUST HEIGHT OF THE SUPPORT SCREWS (2) AS NECESSARY.
- B- APPLY CLEAR RTV SILICONE EVENLY ON TOP FLANGE OF THE BASIN (2). SILICONE PROVIDED BY OTHERS.
- C- CAREFULLY POSITION COUNTERTOP (4) OVER BASIN (1), ALIGN & FIT THE BOTTOM CONTOUR WITH THE FIXTURE FRAME (3) AS SHOWN AND FIRMLY SEAT COUNTER.
- D- RAISE OR LOWER SUPPORT CHANNEL SCREWS (2) AS REQUIRED TO SEAL BASIN TO COUNTERTOP (4).
- E- FOLLOW THE CONCEALED ARM CARRIER MANUFACTURER'S INSTALLATION INSTRUCTIONS. INSURE CARRIER ARMS (5) ARE LEVEL.
- F- SLIDE THE BASIN ASSEMBLY COMPLETELY ONTO THE CARRIER ARMS (5). TO LEVEL ASSEMBLY, TURN THE FRONT AND REAR CARRIER ARM SCREWS (6) AS NEEDED. FIXTURE SHOULD NOT ROCK WHEN LEVEL.
- G- CAREFULLY TIGHTEN THE LOCKING MECHANISM (7) UNTIL THE BASIN IS SECURELY HELD IN PLACE.
- H- ASSEMBLE BOTTOM COVER (8) TO FIXTURE AND MAKE UP WASTE AND SUPPLY CONNECTIONS AS REQUIRED.

RECOMMENDED FOR LIGHT COMMERCIAL AND RESIDENTIAL APPLICATIONS.

FOLLOW CARRIER MANUFACTURER'S INSTALLATION INSTRUCTIONS.



 <p>NEO-METRO[®] WWW.NEO-METRO.COM</p>	TITLE EBB CONCEPT, 9110-WM-MC w/ WALL MOUNTED CARRIER SUPPORT SYSTEM		
	MANUFACTURE DATE AUGUST 2007 TO PRESENT	DATE ISSUED 08/10/07	DRAWING NUMBER 9935-182-001
	DATE REVISED 03/18/11		