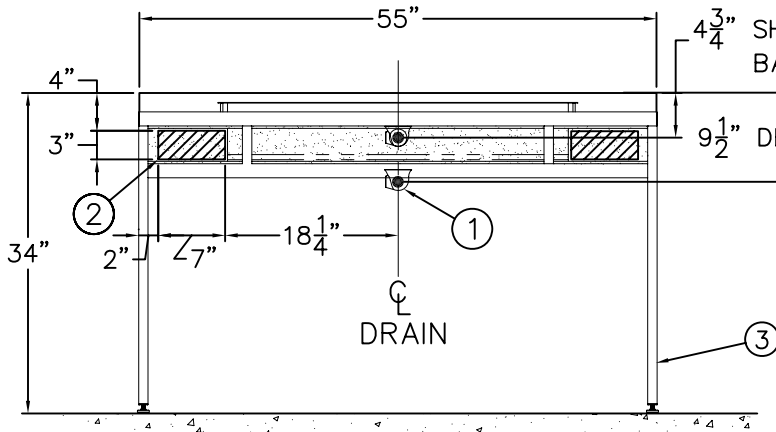


IMPORTANT:

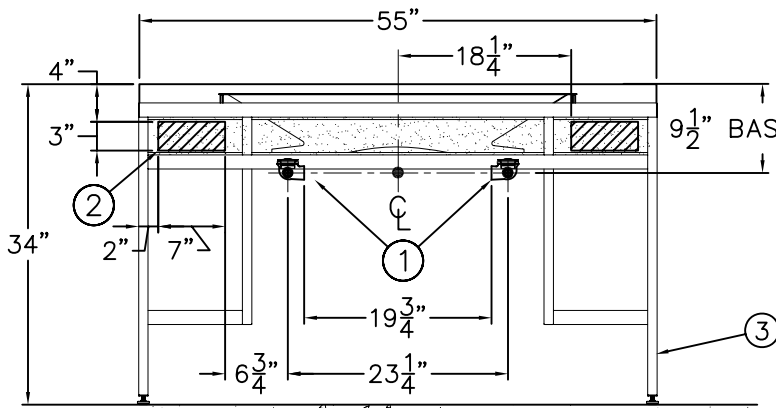
GENERAL CARPENTRY SKILL AND KNOWLEDGE OF INDUSTRY STANDARDS ARE REQUIRED. PROPER INSTALLATION OF LAVATORY AND COMPLIANCE WITH CLEARANCE AND LOCAL CODE REQUIREMENTS ARE THE RESPONSIBILITY OF THE INSTALLER.

REFERENCE DRAWINGS

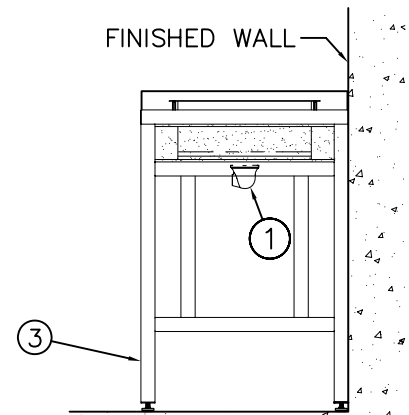
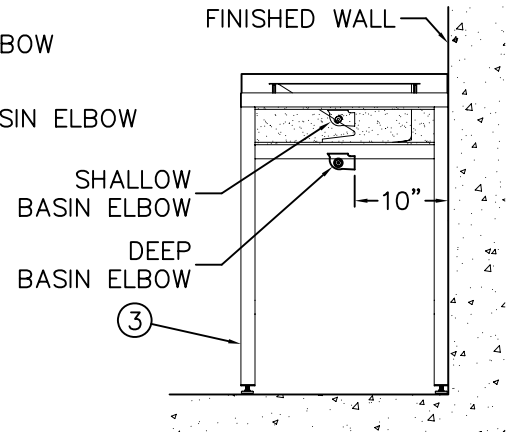
CONSOLE ASSY. 9935-199-001



MODEL # 9112-E1



MODEL # 9112-E2-SS



ROUGH-INS

A- WASTE CONNECTION INSTALLER PROVIDED P-TRAP. FIXTURE INCLUDES 1-1/4"-27 UNI (1) CLOSE ELBOW WASTE OUTLET.

B- FOR DECK MOUNTED FAUCET LOCATE SUPPLY LINES WHERE INDICATED (2) ABOVE.

C- MAKE UP INSTALLER PROVIDED P-TRAP WASTE TO CLOSE ELBOW CONNECTION (1). FLUSH SUPPLY LINES (2) BEFORE CONNECTING SUPPLIES.


INSTALLATION INSTRUCTIONS:

C- ASSEMBLE PEDESTAL WITH BASIN AND COUNTERTOP (3) PER DRAWING 9935-199-001.

D- POSITION EBB CONSOLE (3) IN DESIRED LOCATION AGAINST THE FINISHED WALL.

NOTE:

FOR LIGHTING OR SENSOR OPTIONS: PROVIDE 120V/60HZ/3 AMP. (MAX) ELECTRICAL RECEPTACLE. RECEPTACLE MUST BE WIRED TO A G.F.I. PROTECTED CIRCUIT PER N.E.C. REFER TO LOCAL PLUMBING CODES FOR CONNECTIONS.

 WWW.NEO-METRO.COM	TITLE NEO-METRO #9112 EBB CONSOLE ROUGH-IN INFORMATION		
	MANUFACTURE DATE MARCH 2006 PRESENT	DATE ISSUED 07/02/07	DRAWING NUMBER 9935-174-001
		DATE REVISED 11/29/10	