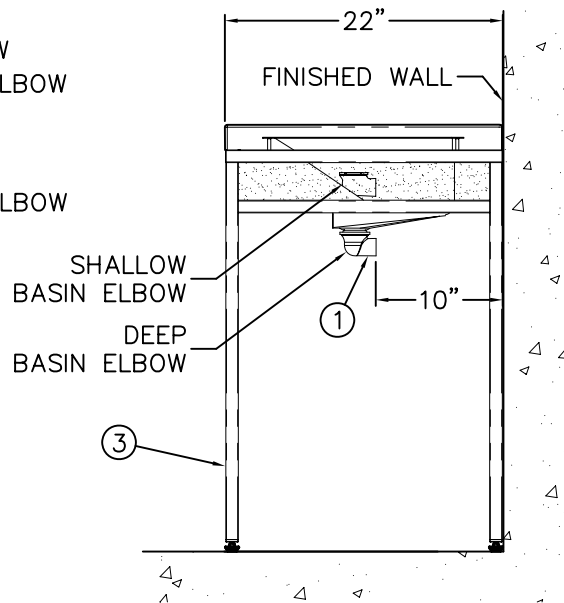
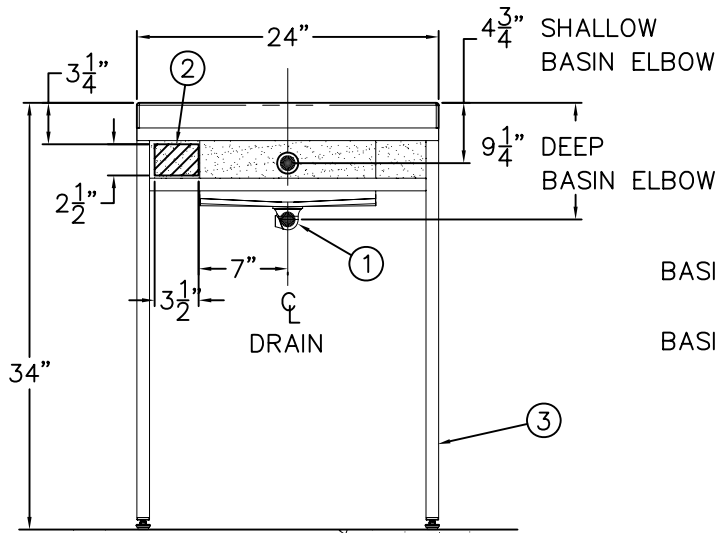
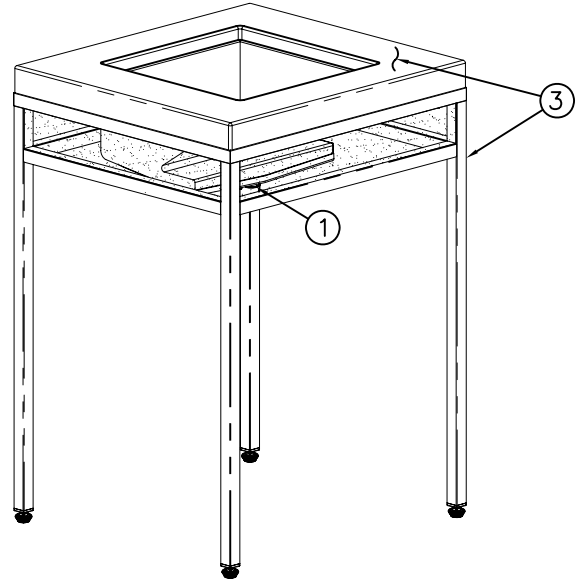




REFERENCE DRAWINGS	
CONSOLE ASSY.	9935-197-001

IMPORTANT:

GENERAL CARPENTRY SKILL AND KNOWLEDGE OF INDUSTRY STANDARDS ARE REQUIRED. PROPER INSTALLATION OF LAVATORY AND COMPLIANCE WITH CLEARANCE AND LOCAL CODE REQUIREMENTS ARE THE RESPONSIBILITY OF THE INSTALLER.



ROUGH-INS

- A- WASTE CONNECTION INSTALLER PROVIDED P-TRAP. FIXTURE INCLUDES 1-1/4"-27 UNI (1) CLOSE ELBOW WASTE OUTLET.
- B- FOR DECK MOUNTED FAUCET LOCATE SUPPLY LINES WHERE INDICATED (2) ABOVE.

- C- MAKE UP INSTALLER PROVIDED P-TRAP WASTE TO CLOSE ELBOW CONNECTION (1). FLUSH SUPPLY LINES (2) BEFORE CONNECTING SUPPLIES.

INSTALLATION INSTRUCTIONS:

- C- ASSEMBLE PEDESTAL WITH BASIN AND COUNTERTOP (3) PER DRAWING 9935-197-001.
- D- POSITION EBB CONSOLE (3) IN DESIRED LOCATION AGAINST THE FINISHED WALL.

NOTE:

FOR LIGHTING OR SENSOR OPTIONS: PROVIDE 120V/60HZ/3 AMP. (MAX) ELECTRICAL RECEPTACLE. RECEPTACLE MUST BE WIRED TO A G.F.I. PROTECTED CIRCUIT PER N.E.C. REFER TO LOCAL PLUMBING CODES FOR CONNECTIONS.

<p>NEO-METRO® WWW.NEO-METRO.COM</p>	TITLE NEO-METRO #9108 EBB CONSOLE ROUGH-IN INFORMATION	
	MANUFACTURE DATE	DATE ISSUED
	MARCH 2006	07/02/07
	PRESENT	12/02/10
	DRAWING NUMBER 9935-170-001	