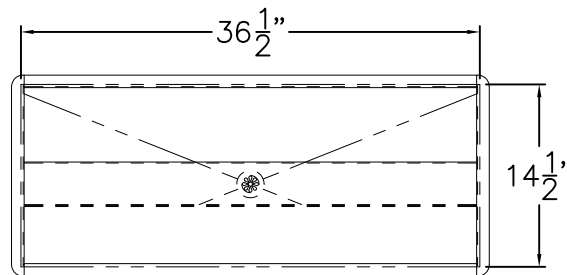


### FOR DROP-IN INSTALLATION:

- A-** USING BASIN AS A TEMPLATE, PLACE BASIN UPSIDE DOWN ON THE COUNTERTOP AND TRACE AROUND THE EDGE OF THE BASIN. OFFSET TRACED LINE INWARD 3/4".
- B-** CUT COUNTERTOP USING THE OFFSET LINE AS GUIDE. EXTRA CUTTING MAY BE NECESSARY FOR OPTIONAL FEATURES.
- C-** BEFORE ASSEMBLING BASIN TO COUNTERTOP DRY FIT TO ENSURE BASIN SITS PROPERLY INTO COUNTERTOP, REMOVING ANY EXCESS COUNTERTOP MATERIAL AS NEEDED SO BASIN SITS PROPERLY INTO COUNTERTOP.
- D-** APPLY A BEAD OF ADHESIVE SEALANT AROUND THE ENTIRE UNDERSIDE OF BASIN RIM.
- E-** PLACE BASIN INTO CUT OUT HOLE AND POSITION AND APPLY FIRM PRESSURE AROUND ENTIRE EDGE OF BASIN.



**3671/3674**

**••NOTE••**

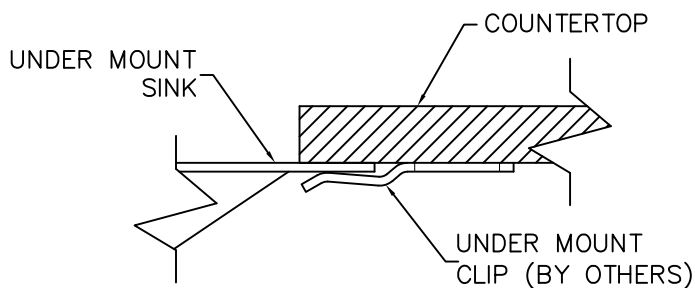
SUBTRACT 1/2" FROM ALL DIMENSIONS FOR UNDER COUNTER MOUNT BASINS.

**•NOTE•**

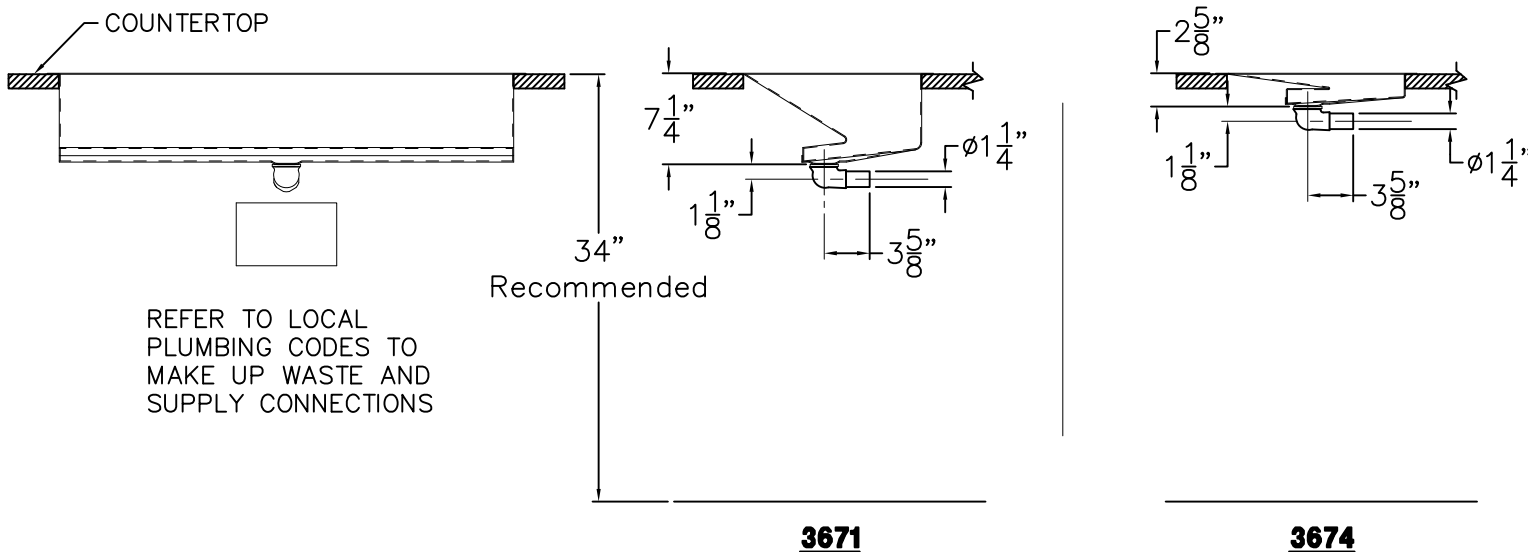
ALLOW ADHESIVE/ SEALANT (BY OTHERS) TO CURE, PER SEALANT MANUFACTURE'S RECOMMENDATIONS BEFORE ATTACHING PLUMBING (BY OTHERS).

### FOR UNDER MOUNT INSTALLATION:

- A-** USE CUTOUT TEMPLATE, PROVIDED, TO TRACE AREA TO BE CUT.
- B-** EXTRA CUTTING MAY BE NECESSARY FOR OPTIONAL FEATURES.
- C-** CUT AND REMOVE MATERIAL TO ALLOW FOR INSTALLATION OF BASIN.
- D-** SECURE BASIN TO BOTTOM OF COUNTERTOP USING SEALER, MOUNTING CLIPS AND ANCHORING HARDWARE BY OTHERS.



### ANCHORING CLIP DETAIL



REFER TO LOCAL PLUMBING CODES TO MAKE UP WASTE AND SUPPLY CONNECTIONS

NOTE: FOR OPTIONAL -OF OVERFLOW INSTALLATION SEE DRAWING # 9935-008-002.

|   |  |                                 |                                       |
|---|--|---------------------------------|---------------------------------------|
| <p>NEO-METRO®<br/>WWW.NEO-METRO.COM</p> | <b>TITLE</b> NEO-METRO COLLECTION EBB BASIN MODELS #3671 AND #3674 |                                 |                                       |
|   | <b>MANUFACTURE DATE</b><br>MARCH 2002<br>TO PRESENT                | <b>DATE ISSUED</b><br>07/02/02  | <b>DRAWING NUMBER</b><br>9935-114-001 |
|   |  | <b>DATE REVISED</b><br>04/06/15 |                                       |