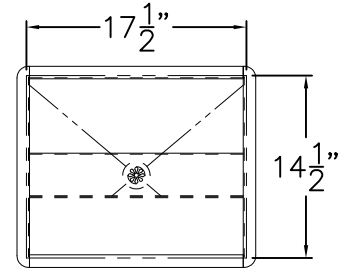


FOR DROP-IN INSTALLATION:

- A-** USING BASIN AS A TEMPLATE, PLACE BASIN UPSIDE DOWN ON THE COUNTERTOP AND TRACE AROUND THE EDGE OF THE BASIN. OFFSET TRACED LINE INWARD 3/4".
- B-** CUT COUNTERTOP USING THE OFFSET LINE AS GUIDE. EXTRA CUTTING MAY BE NECESSARY FOR OPTIONAL FEATURES.
- C-** BEFORE ASSEMBLING BASIN TO COUNTERTOP DRY FIT TO ENSURE BASIN SITS PROPERLY INTO COUNTERTOP, REMOVING ANY EXCESS COUNTERTOP MATERIAL AS NEEDED SO BASIN SITS PROPERLY INTO COUNTERTOP.
- D-** APPLY A BEAD OF ADHESIVE SEALANT AROUND THE ENTIRE UNDERSIDE OF BASIN RIM.
- E-** PLACE BASIN INTO CUT OUT HOLE AND POSITION AND APPLY FIRM PRESSURE AROUND ENTIRE EDGE OF BASIN.



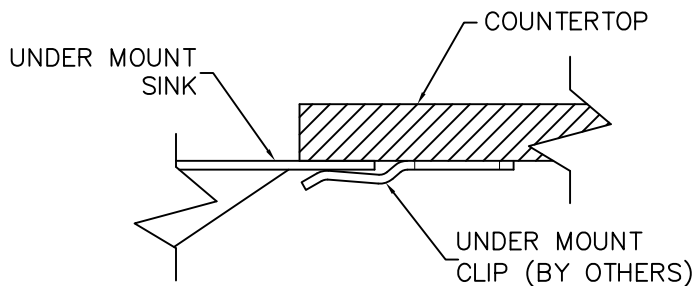
3670/3673

•NOTE•

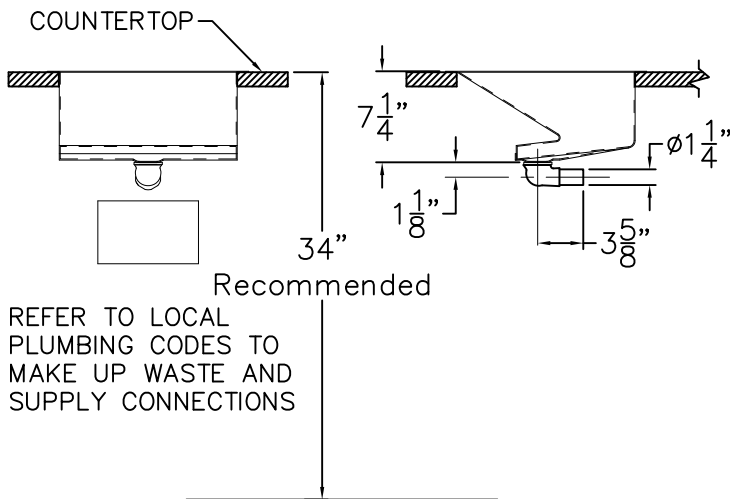
SUBTRACT 1/2" FROM ALL DIMENSIONS FOR UNDER COUNTER MOUNT BASINS.

•NOTE•

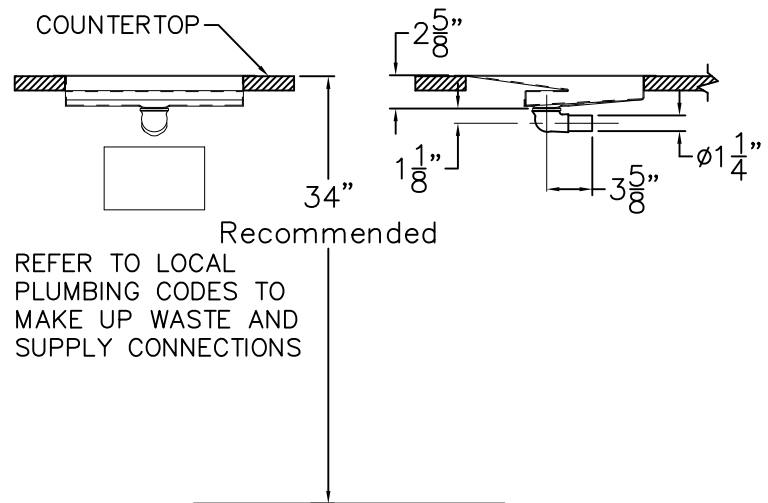
ALLOW ADHESIVE/ SEALANT (BY OTHERS) TO CURE, PER SEALANT MANUFACTURE'S RECOMMENDATIONS BEFORE ATTACHING PLUMBING (BY OTHERS).



ANCHORING CLIP DETAIL



3670



3673


FOR UNDER MOUNT INSTALLATION:

- A-** USE CUTOUT TEMPLATE, PROVIDED, TO TRACE AREA TO BE CUT.
- B-** EXTRA CUTTING MAY BE NECESSARY FOR OPTIONAL FEATURES.
- C-** CUT AND REMOVE MATERIAL TO ALLOW FOR INSTALLATION OF BASIN.
- D-** SECURE BASIN TO BOTTOM OF COUNTERTOP USING SEALER, MOUNTING CLIPS AND ANCHORING HARDWARE BY OTHERS.

REFER TO LOCAL PLUMBING CODES TO MAKE UP WASTE AND SUPPLY CONNECTIONS

REFER TO LOCAL PLUMBING CODES TO MAKE UP WASTE AND SUPPLY CONNECTIONS

NOTE: FOR OPTIONAL -OF OVERFLOW INSTALLATION SEE DRAWING # 9935-008-002.

 <p>WWW.NEO-METRO.COM</p>	TITLE NEO-METRO COLLECTION EBB BASIN MODELS #3670 AND #3673		
	MANUFACTURE DATE MARCH 2002 TO PRESENT	DATE ISSUED 07/02/02	DRAWING NUMBER 9935-112-001
		DATE REVISED 04/06/15	