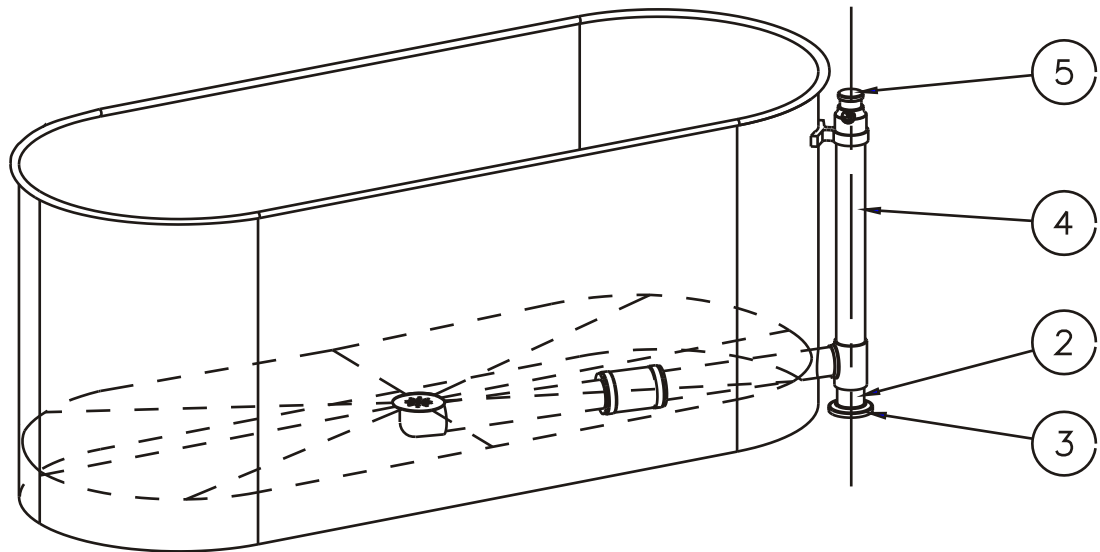


MODEL #	DIM 'A'	DIM 'B'
8970	61"	6"
8971	67"	7"

**DRAIN OPTION -AL SHOWN
FOR OPTION -AR, DRAIN OPPOSITE**



INSTALLATION INSTRUCTIONS:

A- Rough-in for 2" waste outlet (1) at 1" from end of fixture and specified dimension from center of fixture width as shown. -AR unit opposite.

B- Assemble tailpiece (2) and escutcheon (3) (shipped loose) to overflow assembly (4).

C- Set fixture in place making sure overflow assembly (4) is in line with rough-in (1).
D- Make up appropriate waste connection.

NOTE: To drain tub, lift plunger (5) on overflow assembly (4).

NEO-METRO COLLECTION
P.O. BOX 3527 • CITY OF INDUSTRY, CA 91744 USA
800-591-9050 • 626-855-4854 • www.neo-metro.com

TITLE **SINGLE WALL NEO-TUBE MODEL # 8970 / 8971**

MANUFACTURE DATE
MARCH 2001
TO PRESENT

DATE ISSUED
03/07/01
DATE REVISED

DRAWING NUMBER
9935-085-001