

FOR OPTION -AR, DRAIN OPPOSITE  
DRAIN OPTION -AL SHOWN

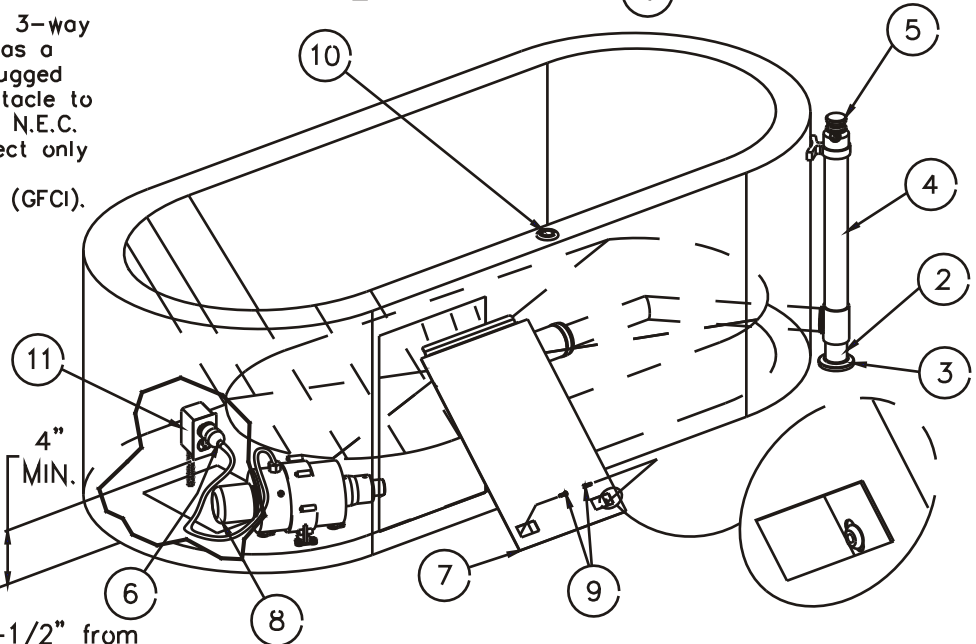
ELECTRICAL SPECIFICATIONS:	
VOLTAGE	120 VAC
FREQUENCY	60 Hz
AMPS	11 A

**NOTE:**

Tub assembly is provided with a 3-way plug. The third prong functions as a built-in ground and must be plugged into a matching grounded receptacle to properly ground the product per N.E.C. (National Electrical Code). Connect only to a circuit protected by a Ground-Fault Circuit-Interrupter (GFCI).

**NOTE:**

Blower will automatically commence a one minute drying cycle twenty minutes after non-operation of jets.



**INSTALLATION INSTRUCTIONS:**

- A- Rough-In for the following:
  - 2" waste outlet (1) at 33-1/2" from center of fixture length and 12-1/8" from center of fixture width as shown. -AR unit opposite.
  - 120VAC duplex outlet (11) by others installed 4" MIN. above floor thru 8" x 6" bottom opening (see note).
- B- Assemble tailpiece (2) and escutcheon (3) (shipped loose) to overflow assembly (4).
- C- Set fixture in place making sure overflow assembly (4) is in line with rough-in (1).
- D- Make up appropriate waste connection.
 

**NOTE:** To drain tub, lift plunger (5) on overflow assembly (4).

- E- Plug 3-way blower plug (6) into duplex outlet (11) by others. Tub access door (7) must be removed to gain access to blower (8) when servicing. Unscrew the two screws (9) located inside the recessed handles and pull door down and out.
- F- Blower (8) has three speeds for operation. First depression of pushbutton (10) is for maximum speed. Each depression will lower speed and turn-off blower. Blower (8) will turn off automatically after 20 minutes.

<b>NEO-METRO</b> P.O. BOX 3527 • CITY OF INDUSTRY, CA 91744 USA 800-591-9050 • 626-855-4854 • www.neo-metro.com	<b>TITLE</b> DOUBLE WALL NEO-TUB MODEL • 8972-JET	
	<b>MANUFACTURE DATE</b> DECEMBER 2002 TO PRESENT	<b>DATE ISSUED</b> 01/13/03 <b>DATE REVISED</b> 03/18/03