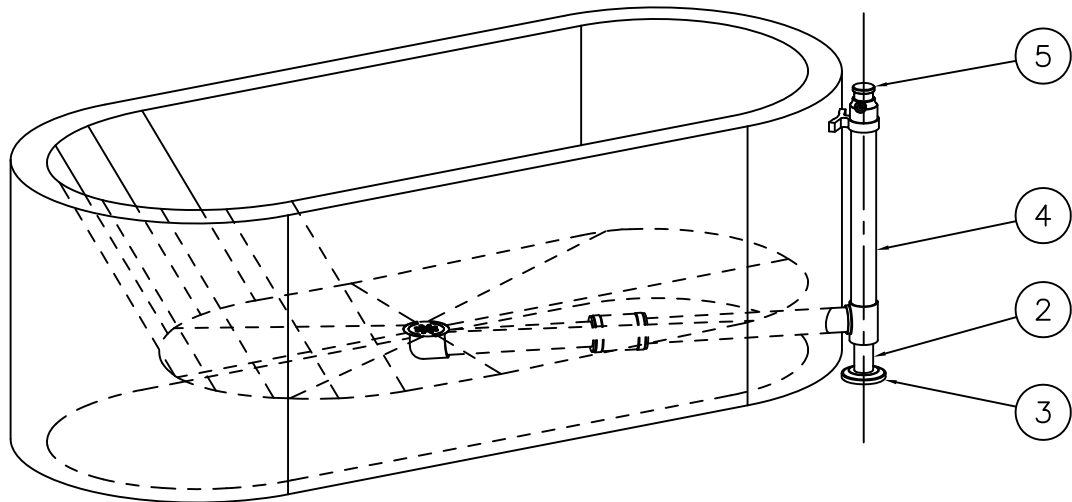


**DRAIN OPTION -AL SHOWN  
 FOR OPTION -AR, DRAIN OPPOSITE**



**INSTALLATION INSTRUCTIONS:**


A- Rough-in for 2" waste outlet (1) at 33-3/4" from center of fixture length and 11-3/4" from center of fixture width as shown. -AR unit opposite.

B- Assemble tailpiece (2) and escutcheon (3) (shipped loose) to overflow assembly (4).

C- Set fixture in place making sure overflow assembly (4) is in line with rough-in (1).

D- Make up appropriate waste connection.

**NOTE:** To drain tub, lift plunger (5) on overflow assembly (4).

 <b>NEO-METRO®</b> WWW.NEO-METRO.COM	<b>TITLE</b> <b>DOUBLE WALL NEO-TUB MODEL # 8972</b>		
	<b>MANUFACTURE DATE</b> <b>MARCH 2001</b> <b>TO PRESENT</b>	<b>DATE ISSUED</b> <b>03/06/01</b>	<b>DRAWING NUMBER</b> <b>9935-080-001</b>
		<b>DATE REVISED</b> <b>12/10/14</b>	