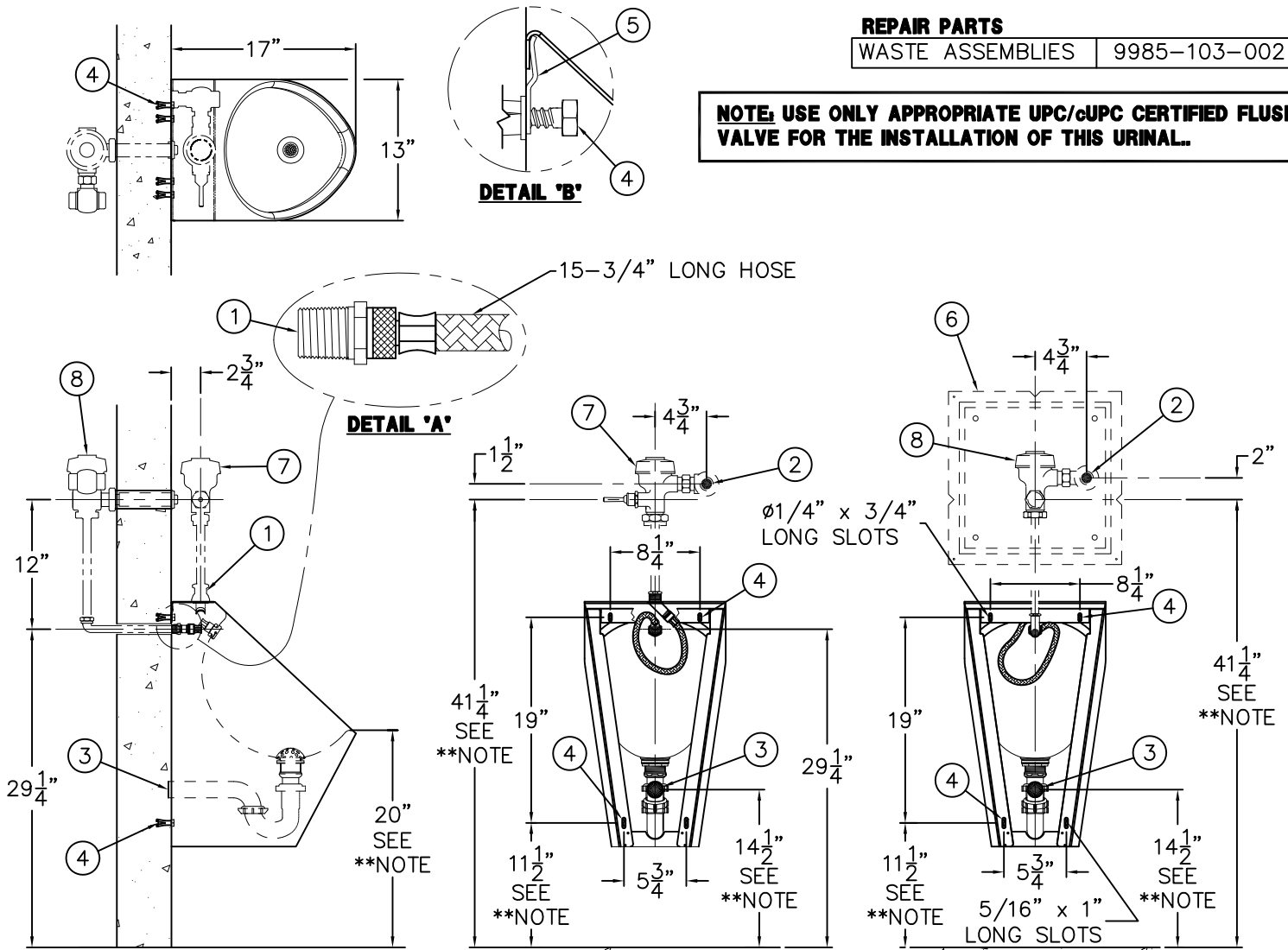


**REPAIR PARTS**

WASTE ASSEMBLIES 9985-103-002

**NOTE: USE ONLY APPROPRIATE UPC/cUPC CERTIFIED FLUSH VALVE FOR THE INSTALLATION OF THIS URINAL.**



**INSTALLATION INSTRUCTIONS:**

- A- ROUGH-IN FOR THE FOLLOWING:
- 3/4" NPT FOR FLUSHING INLET (1). (MALE ADAPTER WITH FLEXIBLE HOSE PROVIDED FOR -W WALL SUPPLY MODELS, DETAIL "A").
  - 3/4" NPT FLUSH VALVE INLET (2) WHEN -FV FLUSH VALVE IS PROVIDED.
  - WASTE OUTLET 1-1/2" SLIP JOINT (3).
  - MOUNTING POINTS (4) AS SHOWN FOR ANCHORING HARDWARE BY OTHERS.

B- FOR OPTIONAL VALVE ACCESS PANELS (6), FOR CONCEALED FLUSH VALVE INSTALLATION REFER TO DRAWING #9908-399-001.

C- ANCHOR S-CLIP (5) TO WALL WITH ANCHORING HARDWARE BY OTHERS (4) (DETAIL "B". PLACE URINAL ABOVE S-CLIP AND AGAINST WALL, SLIDE HOUSING DOWN TO ENGAGE S-CLIP (5). SECURE LOWER WALL ANCHORS (4) BY OTHERS.

D- MAKE UP WASTE CONNECTION (3).

**E- FOR OPTIONAL -FV FLUSH VALVE:**

CONNECT FLUSH VALVE AS REQUIRED FOR EXPOSED (7) OR CONCEALED (8) INSTALLATION PER MANUFACTURER'S RECOMMENDATIONS. -W WALL SUPPLY FLUSH VALVE, ACCESS FOR CONNECTION AND SERVICING FLUSH VALVE IS REQUIRED.

**NOTE:**

FOR SUFFIX OPTION -ADA UNITS, REFER TO ADA ACCESSIBILITY GUIDELINES FOR COMPLETE INSTALLATION REQUIREMENTS. ALL VERTICAL DIMENSIONS INDICATED \*\*DECREASE PROPORTIONATELY WITH ADA RIM HEIGHT: FOR ADA RIM HEIGHT OF 17", WASTE OUTLET BECOMES 11-1/2" AFF.

1- ADA FLUSH VALVE MUST BE HYDRAULICALLY ACTUATED OR SUPPLIED WITH A SPECIAL HANDLE. MAXIMUM CONTROL HEIGHT IS 44" ABOVE FINISHED FLOOR.

2- ADA REQUIRES A RIM HEIGHT OF 17" MAXIMUM AFF.



TITLE <b>CONTOUR URINAL OFF FLOOR, WALL OUTLET -CAT. # 8944-W/T-1-FM</b>		
MANUFACTURE DATE <b>JULY 2012</b>	DATE ISSUED <b>08/02/12</b>	DRAWING NUMBER <b>9935-054-001</b>
<b>TO PRESENT</b>	DATE REVISED JAD <b>A120916</b>	